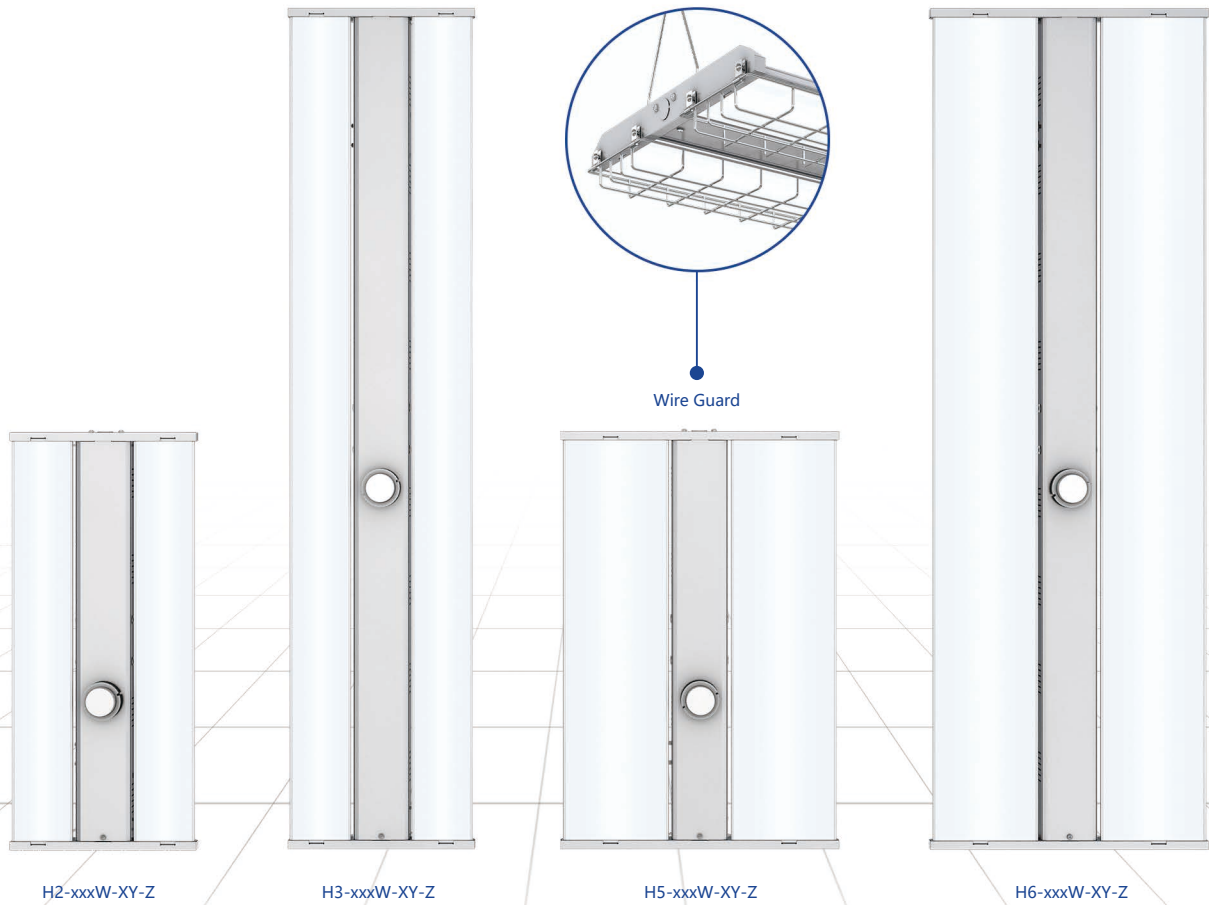




SD-LINEAR HIGH BAY

80W/100W/160W/220W/320W

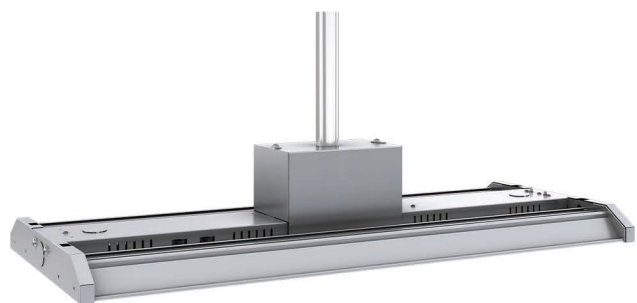


Linear High Bay Series is suitable for household and commercial illumination. The dimming and power adjusting functions are available and thus it can adapt to changes in different situations, saving energy and bringing convenience to users. Its unique design makes it shine partially upward (about 14% of its light), so the forming of shadows on the ceiling can be avoided. It also has great performance in uniform light distribution.

○ Chain Mounting



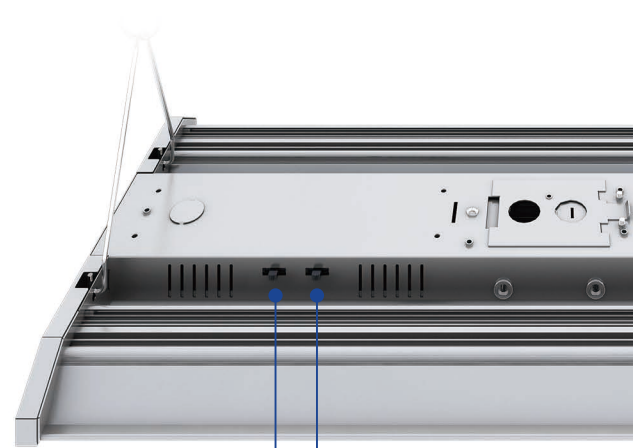
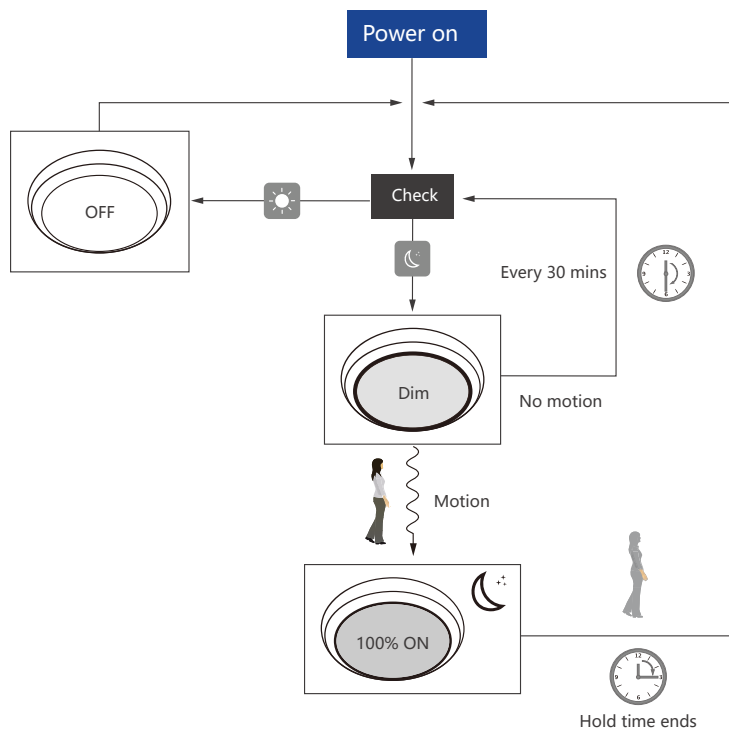
○ Ceiling Mounting



▶▶▶ FEATURES



Microwave Sensor

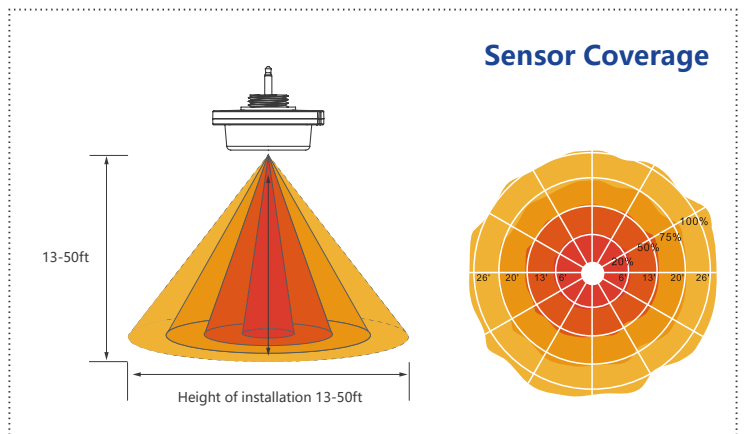
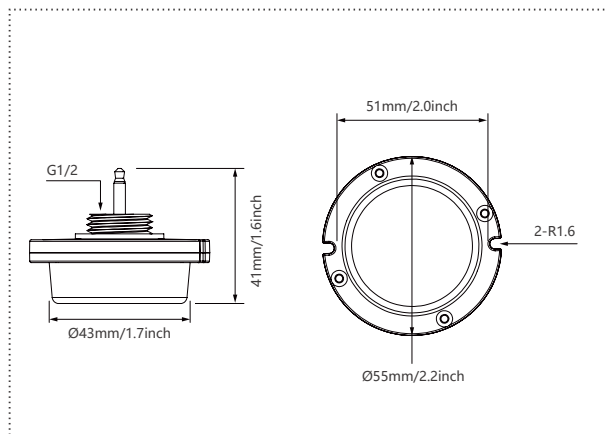


Power Switch

Power Adjustable
 H2: 80W/100W/160W
 H3: 100W/160W/220W
 H5: 160W/220W/320W
 H6: 160W/220W/320W

CCT Switch

CCT Tunable
 3500K/4000K/5000K
 4000K/4500K/5000K



● Corridor Function

This function inside the motion sensor to achieve tri-level control, for some areas which require a light change notice before switch-off. The sensor offers 3 levels of light: 100% -> dimmed light (natural light is insufficient) -> off; and 2 periods of selectable waiting time: motion hold-time and stand-by period. Selectable daylight threshold and freedom of detection area.




With sufficient natural light, the light does not switch on when presence is detected.

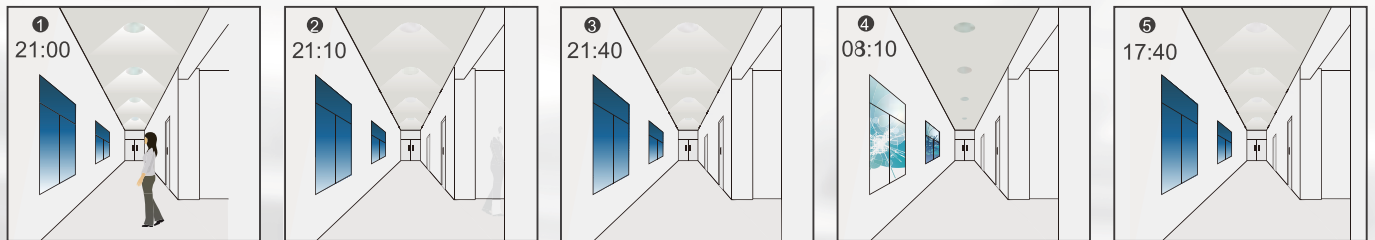
With insufficient natural light, the sensor switches on the light automatically when presence is detected.

After hold-time, the light dims to stand-by level if the surrounding natural light is below the daylight threshold.

Light switches off automatically after the stand-by period elapses.

● Daylight Sensor Function

Open the daylight sensor by push  when remote control is in setting condition.



The light switches on at 100% when there is movement detected.

The light dims to stand-by level after the hold-time.

The light remains in dimming level at night.

When the natural light level exceeds setpoint off to light, the light will turn off even if when the space is occupied.

The light automatically turns on at 10% when natural light is insufficient (no motion).

① ← → ③

Goes in cycle at night ...
100% on when movement detected, and dims to 10% in long absence.

Settings on this demonstration:

Hold-time: 30min

Setpoint on: 50lux

Setpoint off: 300lux

Stand-by Dim: 10%

Stand-by period: +∞

◇ when the smart photocell sensor open, the stand-by time is only +

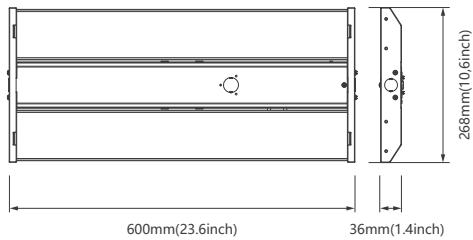
►►► SPECIFICATION

Model NO.	H2-80W/100/160W-XY-Z	H3-100/160/220W-XY-Z	H5-160/220/320W-XY-Z	H6-160/220/320W-XY-Z
Input Voltage	AC 100-277V/AC200-480V	AC 100-277V/AC200-480V	AC 100-277V/AC200-480V	AC 100-277V/AC200-480V
Power Consumption(±5%)	80W/100W/160W	100W/160W/220W	160W/220W/320W	160W/220W/320W
Power Factor	≥0.9	≥0.9	≥0.9	≥0.9
Power Efficiency	88%	88%	88%	88%
Power Frequency	50Hz/60Hz	50Hz/60Hz	50Hz/60Hz	50Hz/60Hz
Total Harmonic Distortion	<20%	<20%	<20%	<20%
LED Chip	LED2835	LED2835	LED2835	LED2835
Efficiency (±10%)	144lm/W	144lm/W	144lm/W	144lm/W
Beam Angle	105°	105°	105°	105°
CCT	3500K-5000K	3500K-5000K	3500K-5000K	3500K-5000K
CRI	80	80	80	80
IP Rating	IP20	IP20	IP20	IP20
Lifespan	50,000 Hours	50,000 Hours	50,000 Hours	50,000 Hours

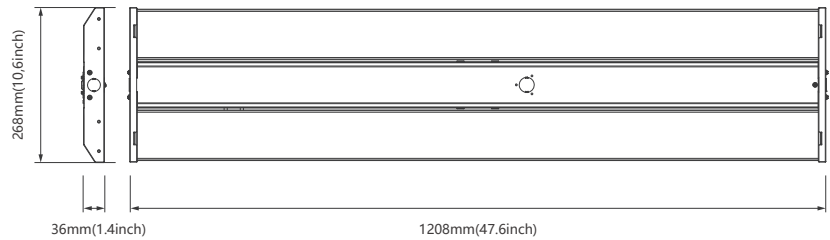
No Warranty

Housing Material	Aluminum	Aluminum	Aluminum	Aluminum
Lens Material	Anti-UV PC Optical Material	Anti-UV PC Optical Material	Anti-UV PC Optical Material	Anti-UV PC Optical Material
Net Weight	8.0kg(17.6lbs)	4.4kg(9.7lbs)	6.7kg(14.8lbs)	6.4kg(17.6lbs)
Gross Weight	8.8kg(19.4lbs)	5.4kg(11.9lbs)	7.5kg(16.5lbs)	7.5kg(16.5lbs)
Product Dimension(mm/inch)	600x268x36(23.6x10.6x1.4)	1208x268x36(47.6x10.6x1.4)	600x400x36(23.6x15.7x1.4)	1208x400x36(47.6x15.7x1.4)
Packing Size(mm/inch)	670x330x120(26.4x13.0x4.7)	1280x330x120(50.4x13.0x4.7)	670x460x120(26.4x18.1x4.7)	1280x460x120(50.4x18.1x4.7)

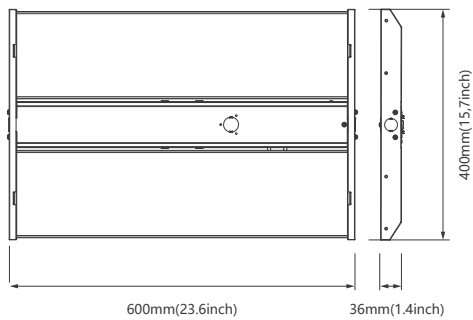
H2-80/100/160W-XY-Z



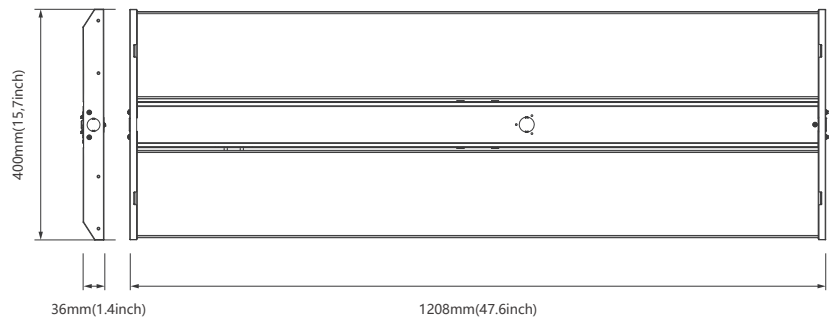
H3-100/160/220W-XY-Z



H5-160/220/320W-XY-Z

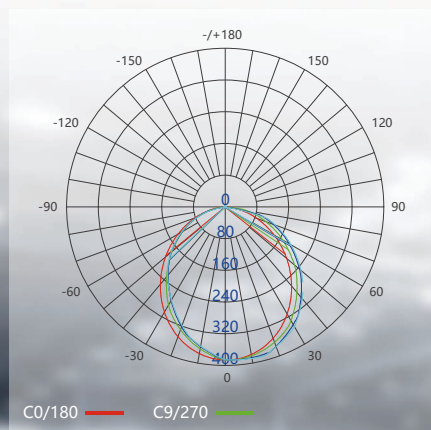


H6-160/220/320W-XY-Z

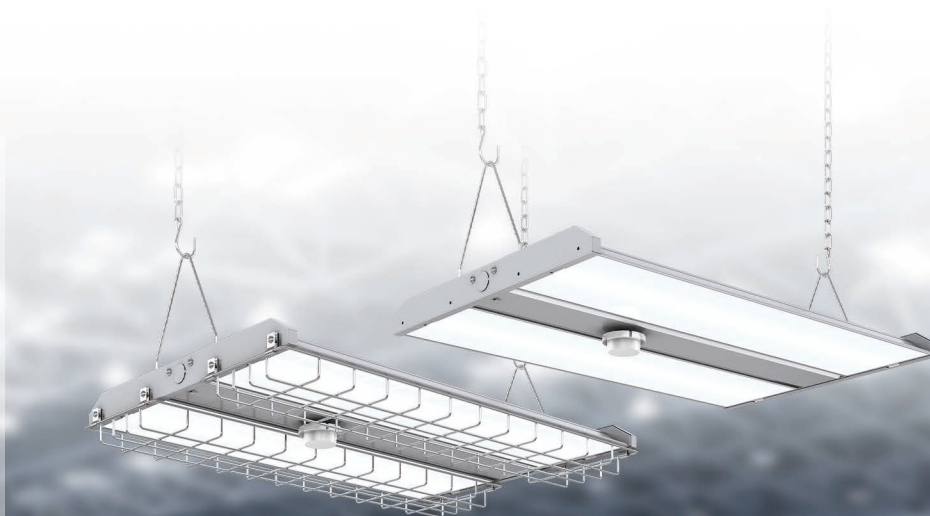


▶▶▶ ORDERING INFORMATION

H	xxxW	X	Y	Z
H Series H2/H3/H5/H6	Wattage 80W/100W/160W 100W/160W/220W 160W/220W/320W 160W/220W/320W	X represents luminaire shape and size, it can be S or B.	Y represents dimming function, it can be D (with dimming), or N (without dimming).	Z represents LED CCT, it can be 35, 40, 45, 50,(e.g 40=4000K)

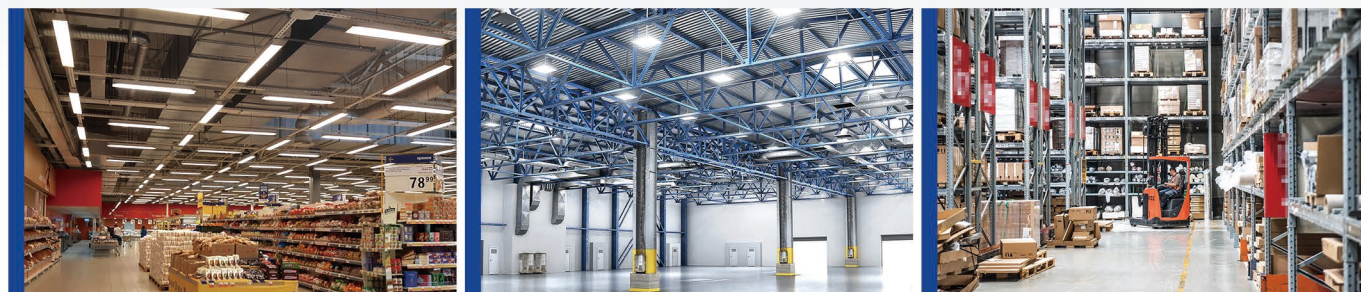


Optional(105°)



▶▶▶ APPLICATION AREAS

Supermarkets/Lobbies/Offices/Retail Stores/Schools/Restaurants/Hospitals/Kitchens



<END>

