
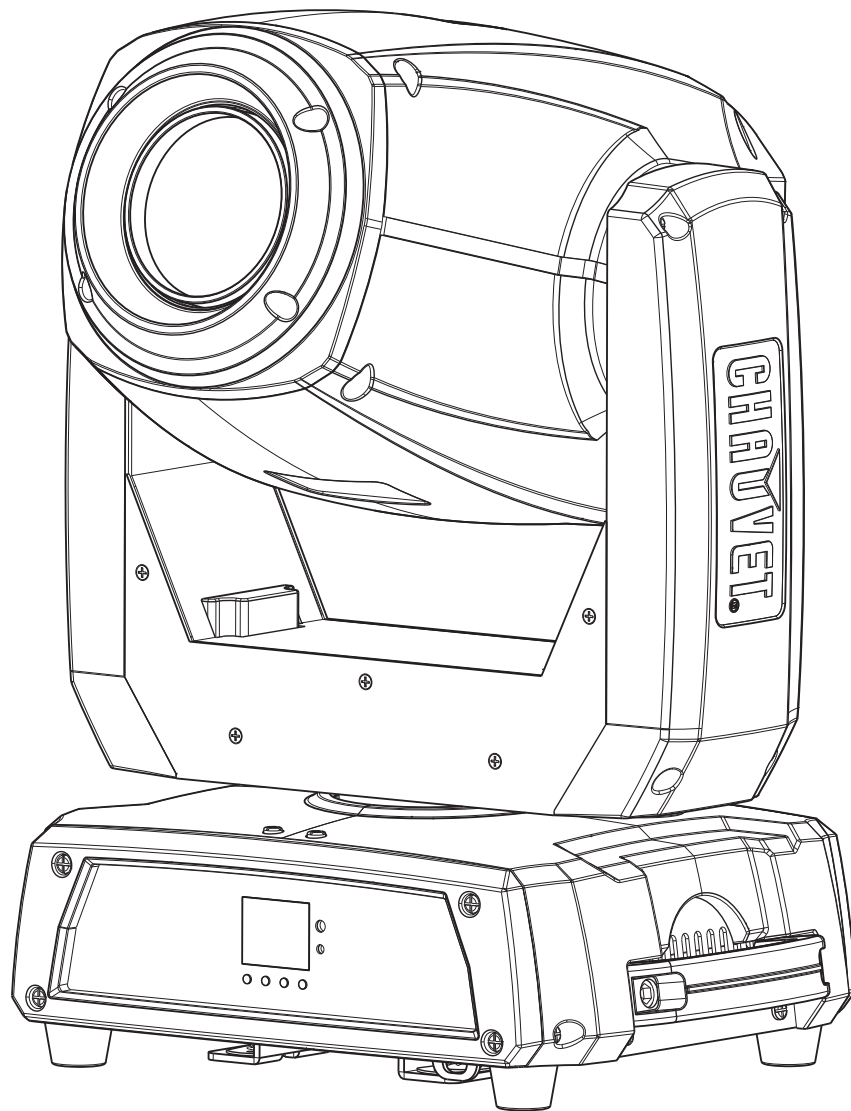


# INTIMIDATOR

---

## Spot 475Z

Quick Reference Guide



**CHAUVET**

## About This Guide

The Intimidator Spot 475Z Quick Reference Guide (QRG) has basic product information such as mounting, menu options, and DMX values. Download the User Manual from [www.chauvetdj.com](http://www.chauvetdj.com) for more details.

### Disclaimer

The information and specifications contained in this QRG are subject to change without notice.

### LIMITED WARRANTY

**FOR WARRANTY REGISTRATION AND COMPLETE TERMS AND CONDITIONS PLEASE VISIT OUR WEBSITE.**

**For Customers in the United States and Mexico:** [www.chauvetlighting.com/warranty-registration](http://www.chauvetlighting.com/warranty-registration).

**For Customers in the United Kingdom, Republic of Ireland, Belgium, the Netherlands, Luxembourg, France, and Germany:** [www.chauvetlighting.eu/warranty-registration](http://www.chauvetlighting.eu/warranty-registration).

Chauvet warrants that this product shall be free from defects in material and workmanship under normal use, for the period specified in, and subject to the exclusions and limitations set forth in the full limited warranty on our website. This warranty extends only to the original purchaser of the product and is not transferable. To exercise rights under this warranty, you must provide proof of purchase in the form of an original sales receipt from an authorized dealer that shows the product name and date of purchase. THERE ARE NO OTHER EXPRESS OR IMPLIED WARRANTIES. This warranty gives you specific legal rights. You may also have other rights that vary from state to state and country to country. This warranty is valid only in the United States, United Kingdom, Republic of Ireland, Belgium, the Netherlands, Luxembourg, France, Germany and Mexico. For warranty terms in other countries, please consult your local distributor.

### Safety Notes

These Safety Notes include important information about installation, use, and maintenance.



- ONLY connect this product to a grounded and protected circuit.
- DISCONNECT from power before cleaning or replacing the fuse.
- DO NOT look at the light source when the product is on.
- Make sure the power cord is not crimped or damaged.
- Never disconnect this product from power by pulling on the cord.
- When mounting this product overhead, ALWAYS use a safety cable.
- DO NOT allow flammable materials close to the product when it is operating.
- DO NOT touch the product's housing when it is on because it will be hot.
- The voltage of the outlet to which you are connecting this product must be within the range stated on the decal or rear panel of the product.
- This product is for indoor use only! (IP20) To prevent risk of fire or shock, do not expose this product to rain or moisture.
- Always mount this product in a location with adequate ventilation, at least 20 in (50 cm) from adjacent surfaces.
- Be sure that no ventilation slots on the unit's housing are blocked.
- Never connect this product to a dimmer or rheostat.
- Replace the fuse with the same type and rating.
- Never carry the product by the power cord. Use only the hanging bracket or handle to carry this product.
- The maximum ambient temperature is 104 °F (40 °C). Do not operate this product at higher temperatures.
- In the event of a serious operating problem, stop using immediately.
- DO NOT open this product. It contains no user-serviceable parts.
- To eliminate unnecessary wear and improve its lifespan, during periods of non-use completely disconnect the product from power via breaker or by unplugging it.



### Contact

Outside the U.S., United Kingdom, Ireland, Benelux, France, Germany, or Mexico, contact your distributor to request support or return a product. Refer to [Contact Us](#) at the end of this QRG for contact information.

### What is Included

- Intimidator Spot 475Z
- 4000 K CTO filter
- Power Cord
- Hanging Bracket
- Quick Reference Guide

### To Begin

Unpack your Intimidator Spot 475Z and make sure you have received all parts in good condition. If the box or contents appear damaged, notify the carrier immediately, not Chauvet.

**AC Power**

This product has an auto-ranging power supply that works with an input voltage range of 100 to 240 VAC, 50/60 Hz.



To eliminate wear and improve its lifespan, during periods of non-use completely disconnect the product from power via breaker or by unplugging it.

**Power Linking**

For the maximum number of Intimidator Spot 475Z products that you can power link at each voltage, see the User Manual or the sticker on the product.

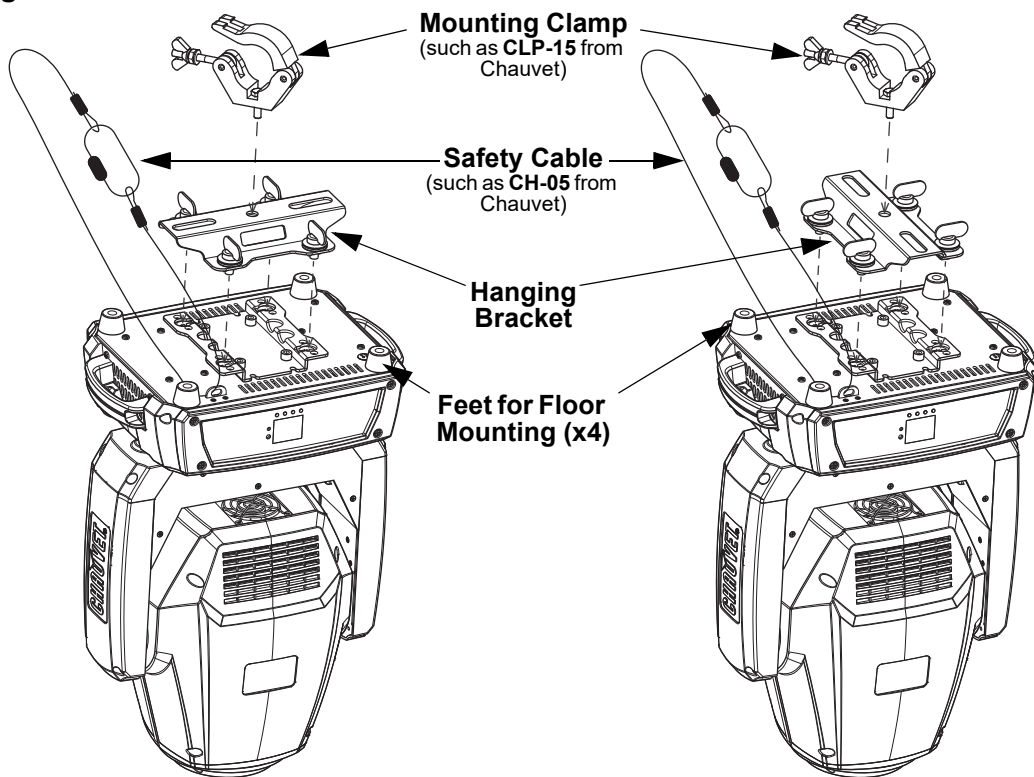
**Fuse Replacement**

1. Disconnect the product from power.
2. Using a flat-head screwdriver, unscrew the fuse holder and pull straight out.
3. Remove the blown fuse from the holder and replace with a fuse of the exact same type and rating.
4. Re-insert the fuse holder and reconnect power.

**Mounting**

Before mounting this product, read the [Safety Notes](#).

**Mounting Diagram**



**Control Panel Description**

Button	Function
<MENU>	Exits from the current menu or function
<UP>	Navigates upwards through the menu list and increases the numeric value when in a function
<DOWN>	Navigates downwards through the menu list and decreases the numeric value when in a function
<ENTER>	Enables the currently displayed menu or sets the currently selected value into the selected function

Menu Map

Main Level	Programming Levels		Description	
Address	001–512		Sets the DMX starting address	
Run Mode	DMX	16CH	Selects the DMX mode	
		10CH		
	Slave	Slave1–4	Selects Slave mode 1, 2, 3, or 4	
	Auto		Selects Auto mode	
	Sound		Selects Sound-Active mode	
	IR		Selects infrared control	
	Manual	000–255	Pan	Manual pan control
			Tilt	Manual tilt control
			Color	Manual color control
			Gobo	Manual rotating gobo control
			Gobo Rotate	Manual gobo rotation control
			Gobo2	Manual static gobo control
			Prism	Manual prism control
			Focus	Manual focus control
			Zoom	Manual zoom control
Dimmer			Manual dimmer control	
Shutter	Manual shutter control			
Setup	Pan Reverse	OFF	Normal pan operation	
		ON	Reverse pan operation	
	Tilt Reverse	OFF	Normal tilt operation	
		ON	Reverse tilt operation	
	Screen Reverse	OFF	Normal display	
		ON	Reverse display	
	Pan Angle	540	Selects the 540° pan angle range	
		360	Selects the 360° pan angle range	
		180	Selects the 180° pan angle range	
	Tilt Angle	270	Selects the 270° tilt angle range	
		180	Selects the 180° tilt angle range	
		90	Selects the 90° tilt angle range	
	Totem Mode	OFF	Does not restrict the pan and tilt motion	
		UP	Restricts the pan and tilt motion for overhead mounting	
		DOWN	Restricts the pan and tilt motion for surface/floor mounting	
	Sensitivity	001–100	Sets the sound sensitivity	
	Indicator	ON	Enables/disables LED indicator	
		OFF		
Flash if DMX	ON	Enables/disables flash if DMX		
	OFF			
Reset		Resets the product		
Factory Set		Loads factory defaults		
Sys Info	Ver:	V_	Displays the firmware version	
	Running Mode	-----	Displays the current running mode	
	DMX Address	---	Displays the current DMX address	
	Temperature	---	Displays the current product temperature	

**DMX Linking**

The Intimidator Spot 475Z can work with a DMX controller. Instructions for connecting and configuring this product for DMX operation are in the User Manual. If you are not familiar with DMX, download the DMX Primer from [www.chauvetdj.com](http://www.chauvetdj.com).

**Starting Address**

To ensure full access to all channels available in each DMX mode, the highest recommended DMX address is **497**.

**Master/Slave Connection**

The Intimidator Spot 475Z uses the DMX data connection for its Master/Slave mode. Information about configuring the Intimidator Spot 475Z for Master/Slave operation is in the User Manual, which is available from the Chauvet website.

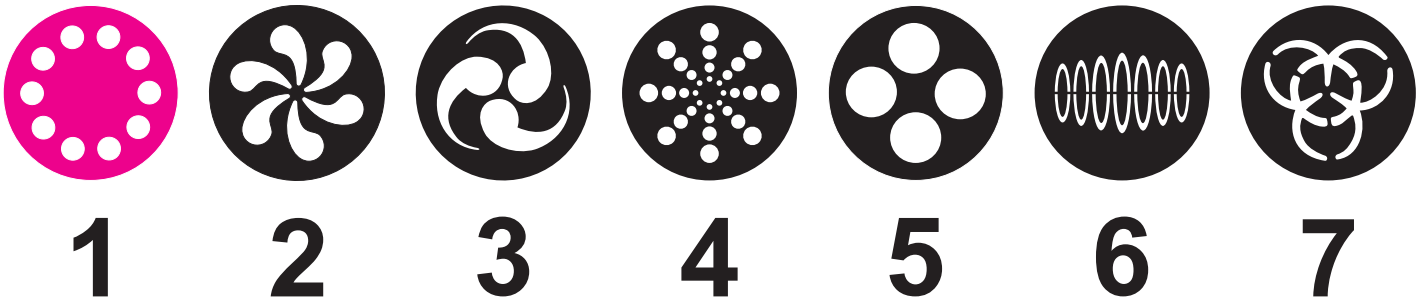
**IRC-6 (Infrared Remote Control)**

The Intimidator Spot 475Z can be operated with the CHAUVET IRC-6. For more information about the IRC-6, download instructions for the IRC-6 or the Intimidator Spot 475Z User Manual from [www.chauvetdj.com](http://www.chauvetdj.com).

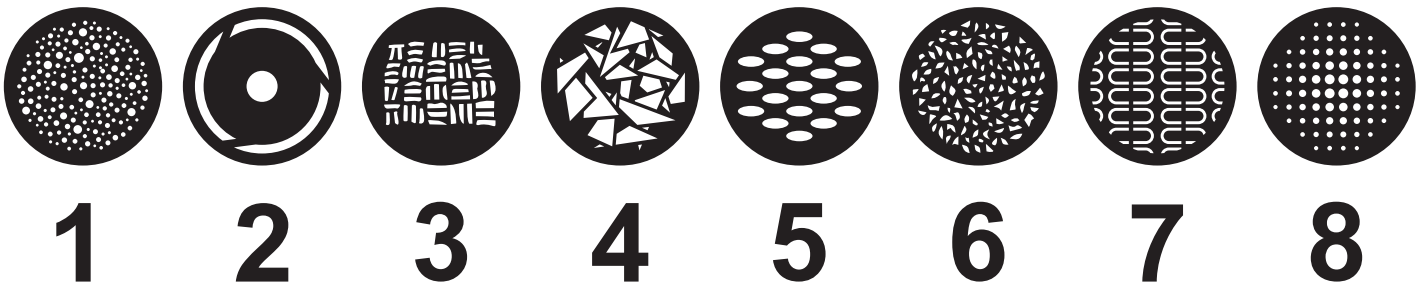
**DMX Values**

**Gobos**

**Gobo - Rotating Gobo Wheel**



**Gobo2 - Static Gobo Wheel**



16CH

Channel	Function	Value	Percent/Setting
1	Pan	000 ⇔ 255	0–540°
2	Fine Pan	000 ⇔ 255	Fine control of panning
3	Tilt	000 ⇔ 255	0–270°
4	Fine Tilt	000 ⇔ 255	Fine control of tilting
5	Pan/Tilt Speed	000 ⇔ 255	Pan/Tilt speed, fast to slow
6	Color Wheel	000 ⇔ 007	White
		008 ⇔ 015	Orange
		016 ⇔ 023	Lime Green
		024 ⇔ 031	Cyan
		032 ⇔ 039	Red
		040 ⇔ 047	Green
		048 ⇔ 055	Magenta
		056 ⇔ 063	Yellow
		064	White
		065 ⇔ 189	Color indexing
		190 ⇔ 221	Color cycling rainbow, fast to slow
		222 ⇔ 223	Stop
224 ⇔ 255	Reverse color cycling rainbow, slow to fast		
7	Rotating Gobo Wheel (Gobo) (see <a href="#">Gobos</a> )	000 ⇔ 007	Open
		008 ⇔ 015	Gobo 1
		016 ⇔ 023	Gobo 2
		024 ⇔ 031	Gobo 3
		032 ⇔ 039	Gobo 4
		040 ⇔ 047	Gobo 5
		048 ⇔ 055	Gobo 6
		056 ⇔ 063	Gobo 7
		064 ⇔ 071	Gobo 7 shake, slow to fast
		072 ⇔ 079	Gobo 6 shake, slow to fast
		080 ⇔ 087	Gobo 5 shake, slow to fast
		088 ⇔ 095	Gobo 4 shake, slow to fast
		096 ⇔ 103	Gobo 3 shake, slow to fast
		104 ⇔ 111	Gobo 2 shake, slow to fast
		112 ⇔ 119	Gobo 1 shake, slow to fast
		120 ⇔ 127	Open
		128 ⇔ 191	Cycle effect, slow to fast
192 ⇔ 255	Reverse cycle effect, slow to fast		
8	Gobo Rotation	000 ⇔ 063	Gobo indexing
		064 ⇔ 147	Gobo rotation, slow to fast
		148 ⇔ 231	Reverse gobo rotation, slow to fast
		232 ⇔ 255	Gobo bounce, short to long

Channel	Function	Value	Percent/Setting
9	Static Gobo Wheel (Gobo2) (see <a href="#">Gobos</a> )	000 ⇔ 006	Open
		007 ⇔ 013	Gobo 1
		014 ⇔ 020	Gobo 2
		021 ⇔ 027	Gobo 3
		028 ⇔ 034	Gobo 4
		035 ⇔ 041	Gobo 5
		042 ⇔ 048	Gobo 6
		049 ⇔ 055	Gobo 7
		056 ⇔ 063	Gobo 8
		064 ⇔ 071	Gobo 8 shake, slow to fast
		072 ⇔ 078	Gobo 7 shake, slow to fast
		079 ⇔ 085	Gobo 6 shake, slow to fast
		086 ⇔ 092	Gobo 5 shake, slow to fast
		093 ⇔ 099	Gobo 4 shake, slow to fast
		100 ⇔ 106	Gobo 3 shake, slow to fast
		107 ⇔ 113	Gobo 2 shake, slow to fast
		114 ⇔ 120	Gobo 1 shake, slow to fast
		121 ⇔ 127	Open
128 ⇔ 191	Reverse cycle effect, slow to fast		
192 ⇔ 255	Cycle effect, slow to fast		
10	Prism	000 ⇔ 003	No function
		004 ⇔ 006	Prism 1 (round)
		007 ⇔ 065	Rotation, slow to fast
		066 ⇔ 123	Reverse rotation, slow to fast
		124 ⇔ 127	Prism 1 (round)
		128 ⇔ 131	No function
		132 ⇔ 134	Prism 2 (linear)
		135 ⇔ 193	Rotation, slow to fast
		194 ⇔ 251	Reverse rotation, slow to fast
		252 ⇔ 255	Prism 2 (linear)
11	Focus	000 ⇔ 255	0–100%
12	Zoom	000 ⇔ 255	Wide to narrow
13	Dimmer	000 ⇔ 255	0–100%
14	Shutter	000 ⇔ 003	Off
		004 ⇔ 007	On
		008 ⇔ 076	Strobe, slow to fast
		077 ⇔ 145	Pulse strobe, slow to fast
		146 ⇔ 215	Random strobe, slow to fast
		216 ⇔ 255	On

Channel	Function	Value	Percent/Setting
15	Control	000 ⇔ 007	No function
		008 ⇔ 015	Blackout on pan/tilt move
		016 ⇔ 023	Blackout on color wheel move
		024 ⇔ 031	Blackout on gobo wheels move
		032 ⇔ 039	Blackout on pan/tilt/color wheel move
		040 ⇔ 047	Blackout on pan/tilt/gobo wheels move
		048 ⇔ 055	Blackout on pan/tilt/color wheel/gobo wheels move
		056 ⇔ 095	No function
		096 ⇔ 103	Pan reset
		104 ⇔ 111	Tilt reset
		112 ⇔ 119	Color wheel reset
		120 ⇔ 127	Gobo wheels reset
		128 ⇔ 135	No function
		136 ⇔ 143	Prism reset
		144 ⇔ 151	No function
		152 ⇔ 159	All reset
16	Movement Macros	160 ⇔ 255	No function
		000 ⇔ 007	No function
		008 ⇔ 023	Movement macro 1
		024 ⇔ 039	Movement macro 2
		040 ⇔ 055	Movement macro 3
		056 ⇔ 071	Movement macro 4
		072 ⇔ 087	Movement macro 5
		088 ⇔ 103	Movement macro 6
		104 ⇔ 119	Movement macro 7
		120 ⇔ 135	Movement macro 8
		136 ⇔ 151	Sound-active movement macro 1
		152 ⇔ 167	Sound-active movement macro 2
		168 ⇔ 183	Sound-active movement macro 3
		184 ⇔ 199	Sound-active movement macro 4
		200 ⇔ 215	Sound-active movement macro 5
		216 ⇔ 231	Sound-active movement macro 6
232 ⇔ 247	Sound-active movement macro 7		
248 ⇔ 255	Sound-active movement macro 8		



**10CH**

Channel	Function	Value	Percent/Setting
1	Pan	000 ⇔ 255	0–540°
2	Tilt	000 ⇔ 255	0–270°
3	Color Wheel	000 ⇔ 007	White
		008 ⇔ 015	Orange
		016 ⇔ 023	Lime Green
		024 ⇔ 031	Cyan
		032 ⇔ 039	Red
		040 ⇔ 047	Green
		048 ⇔ 055	Magenta
		056 ⇔ 063	Yellow
		064	White
		065 ⇔ 189	Color indexing
		190 ⇔ 221	Color cycling rainbow, fast to slow
		222 ⇔ 223	Stop
		224 ⇔ 255	Reverse color cycling rainbow, slow to fast
4	Rotating Gobo Wheel (Gobo) (see <a href="#">Gobos</a> )	000 ⇔ 007	Open
		008 ⇔ 015	Gobo 1
		016 ⇔ 023	Gobo 2
		024 ⇔ 031	Gobo 3
		032 ⇔ 039	Gobo 4
		040 ⇔ 047	Gobo 5
		048 ⇔ 055	Gobo 6
		056 ⇔ 063	Gobo 7
		064 ⇔ 071	Gobo 7 shake, slow to fast
		072 ⇔ 079	Gobo 6 shake, slow to fast
		080 ⇔ 087	Gobo 5 shake, slow to fast
		088 ⇔ 095	Gobo 4 shake, slow to fast
		096 ⇔ 103	Gobo 3 shake, slow to fast
		104 ⇔ 111	Gobo 2 shake, slow to fast
		112 ⇔ 119	Gobo 1 shake, slow to fast
		120 ⇔ 127	Open
		128 ⇔ 191	Cycle effect, slow to fast
		192 ⇔ 255	Reverse cycle effect, slow to fast
5	Gobo Rotation	000 ⇔ 063	Gobo indexing
		064 ⇔ 147	Gobo rotation, slow to fast
		148 ⇔ 231	Reverse gobo rotation, slow to fast
		232 ⇔ 255	Gobo bounce

QUICK REFERENCE GUIDE



EN

Channel	Function	Value	Percent/Setting
6	Static Gobo Wheel (Gobo2) (see <a href="#">Gobos</a> )	000 ⇔ 006	Open
		007 ⇔ 013	Gobo 1
		014 ⇔ 020	Gobo 2
		021 ⇔ 027	Gobo 3
		028 ⇔ 034	Gobo 4
		035 ⇔ 041	Gobo 5
		042 ⇔ 048	Gobo 6
		049 ⇔ 055	Gobo 7
		056 ⇔ 063	Gobo 8
		064 ⇔ 071	Gobo 8 shake, slow to fast
		072 ⇔ 078	Gobo 7 shake, slow to fast
		079 ⇔ 085	Gobo 6 shake, slow to fast
		086 ⇔ 092	Gobo 5 shake, slow to fast
		093 ⇔ 099	Gobo 4 shake, slow to fast
		100 ⇔ 106	Gobo 3 shake, slow to fast
		107 ⇔ 113	Gobo 2 shake, slow to fast
		114 ⇔ 120	Gobo 1 shake, slow to fast
		121 ⇔ 127	Open
		128 ⇔ 191	Reverse cycle effect, slow to fast
192 ⇔ 255	Cycle effect, slow to fast		
7	Prism	000 ⇔ 003	No function
		004 ⇔ 006	Prism 1 (round)
		007 ⇔ 065	Rotation, slow to fast
		066 ⇔ 123	Reverse rotation, slow to fast
		124 ⇔ 127	Prism 1 (round)
		128 ⇔ 131	No function
		132 ⇔ 134	Prism 2 (linear)
		135 ⇔ 193	Rotation, slow to fast
		194 ⇔ 251	Reverse rotation, slow to fast
		252 ⇔ 255	Prism 2 (linear)
8	Focus	000 ⇔ 255	0–100%
9	Zoom	000 ⇔ 255	Narrow to wide
10	Shutter	000 ⇔ 003	Off
		004 ⇔ 007	On
		008 ⇔ 076	Strobe, slow to fast
		077 ⇔ 145	Pulse strobe, slow to fast
		146 ⇔ 215	Random strobe, slow to fast
		216 ⇔ 255	On

## Acerca de esta guía

La Guía de referencia rápida (GRR) del Intimidator Spot 475Z contiene información básica sobre el producto, como montaje, opciones de menú y valores DMX. Descargue el manual de usuario de [www.chauvetdj.com](http://www.chauvetdj.com) para una información más detallada.

### Exención de responsabilidad

La información y especificaciones contenidas en esta GRR están sujetas a cambio sin previo aviso.

### GARANTÍA LIMITADA

**PARA VER EL REGISTRO DE GARANTÍA Y LOS TÉRMINOS Y CONDICIONES COMPLETOS, VISITE NUESTRO SITIO WEB.**

**Para clientes en los Estados Unidos y México:** [www.chauvetlighting.com/warranty-registration](http://www.chauvetlighting.com/warranty-registration).

**Para clientes en Reino Unido, República de Irlanda, Bélgica, Países Bajos, Luxemburgo, Francia y Alemania:** [www.chauvetlighting.eu/warranty-registration](http://www.chauvetlighting.eu/warranty-registration).

Chauvet garantiza que este producto estará libre de defectos de material y mano de obra en condiciones de uso normales, durante el periodo especificado, sujeto siempre a las exclusiones y limitaciones establecidas en la garantía limitada completa de nuestro sitio web. Esta garantía se concede únicamente al comprador original del producto y no es transferible. Para ejercer los derechos que otorga esta garantía, usted debe proporcionar una prueba de compra en forma de un recibo de compra original, expedido por un distribuidor autorizado, donde figure el nombre del producto y la fecha de compra. **NO EXISTEN OTRAS GARANTÍAS EXPRESAS NI IMPLÍCITAS.** Esta garantía le otorga derechos legales específicos. Es posible que a usted le asistan otros derechos, que variarán dependiendo del estado o del país. Esta garantía solamente es válida en los Estados Unidos, Reino Unido, República de Irlanda, Bélgica, Países Bajos, Luxemburgo, Francia, Alemania y México. Para conocer los términos de garantía en otros países, consulte a su distribuidor local.

### Notas de seguridad

Estas notas de seguridad incluyen información importante sobre el montaje, uso y mantenimiento.



- Conecte este producto **SOLO** a un circuito con toma de tierra y protegido.
- Desconecte siempre de la alimentación antes de la limpieza o sustitución del fusible.
- **NO** mire a la fuente de luz cuando el producto esté encendido.
- Asegúrese de que el cable de alimentación no está retorcido ni estropeado.
- Nunca desconecte este producto de la alimentación tirando del cable.
- Cuando monte este producto en alto, use un cable de seguridad.
- **NO** permita la presencia de materiales inflamables cerca de la unidad cuando esté en funcionamiento.
- **NO** toque este producto cuando esté en funcionamiento, pues podría estar caliente.
- La tensión del enchufe al que conecte este producto ha de estar en el rango establecido en el grabado o en el panel posterior del producto.
- ¡Este producto es para uso en interiores solamente! (IP20) Para evitar riesgos de incendio o descarga, no exponga este producto a la lluvia o la humedad.
- Monte siempre este producto en una ubicación con ventilación adecuada, al menos a 20 in (50 cm) de superficies adyacentes.
- Asegúrese de que ninguna ranura de ventilación en la carcasa de la unidad queda bloqueada.
- Nunca conecte este producto a un atenuador o reostato.
- Sustituya el fusible con uno del mismo tipo y categoría.
- Use **SOLAMENTE** los soportes de colgar/montar o el listón para mover este producto.
- La temperatura ambiente máxima es de 104 °F (40 °C). No haga funcionar este producto a temperaturas más altas.
- En caso de un problema grave de funcionamiento, deje de usarlo inmediatamente.
- **NO** abra este producto. No contiene piezas reparables por el usuario.
- Para evitar un desgaste innecesario y alargar su vida útil, desconecte completamente el producto mediante el interruptor o desenchufándolo durante periodos en que no se use.



### Contacto

Fuera de EE. UU., Reino Unido, Irlanda, Benelux, Francia, Alemania o México póngase en contacto con su distribuidor para solicitar asistencia o devolver un producto. Consulte [Contact Us](#) al final de este GRR para información de contacto.

### Qué va incluido

- Intimidator Spot 475Z
- Filtro de 4000 K CTO
- Cable de alimentación
- Soporte para colgar
- Guía de referencia rápida

### Para empezar

Desembale su Intimidator Spot 475Z y asegúrese de que ha recibido todas las partes en buen estado. Si la caja o los componentes parecen dañados, notifíquese lo inmediatamente al transportista, no a Chauvet.

**Corriente alterna**

Este producto tiene una fuente de alimentación con detección automática que puede funcionar con un rango de tensión de entrada de 100–240 VCA, 50/60 Hz.



Para evitar un desgaste innecesario y alargar su vida útil, desconecte completamente el producto mediante el interruptor o desenchufándolo durante periodos en que no se use.

**Alimentación en cadena**

Para ver el máximo número de Intimidator Spot 475Z que se pueden alimentar en cadena a 120 V o a 240 V, consulte el Manual de usuario o la etiqueta del producto.

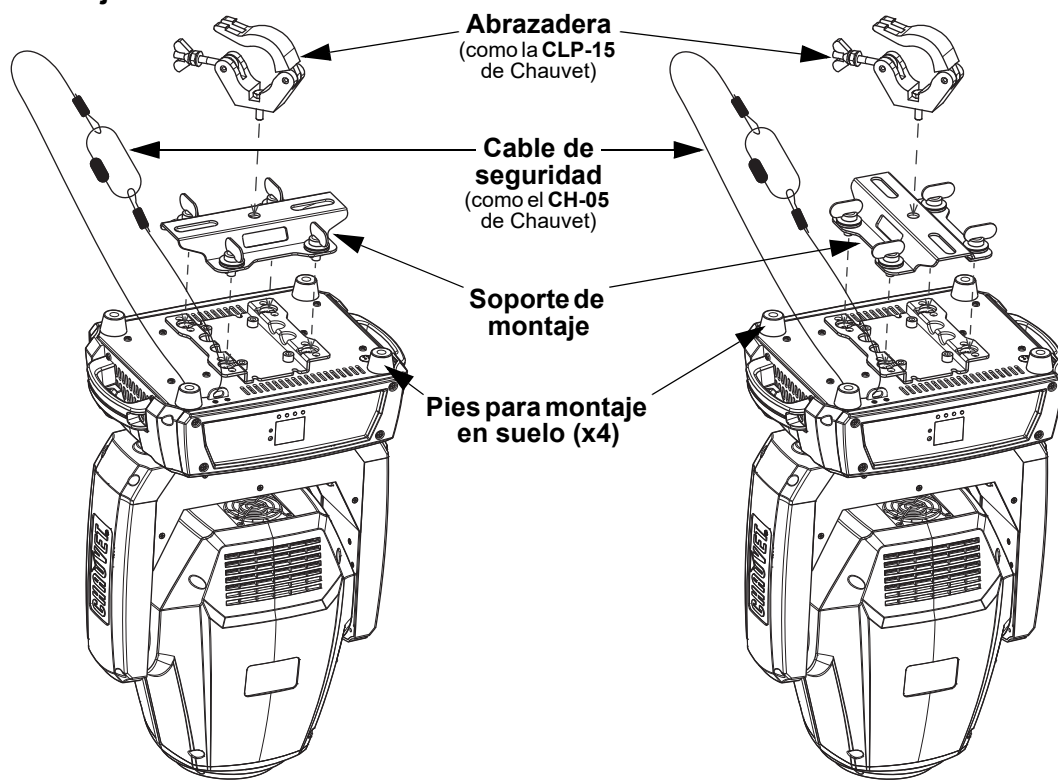
**Sustitución del fusible**

1. Desconecte el producto de la alimentación.
2. Con ayuda de un destornillador de cabeza plana, desatornille el portafusibles y extráigalo directamente.
3. Quite el fusible fundido del portafusibles y sustituya el fusible con otro del mismo tipo y categoría.
4. Vuelva a insertar el portafusibles y conecte de nuevo la alimentación.

**Montaje**

Antes de montar este producto, lea las [Notas de seguridad](#).

**Diagrama de montaje**



**Descripción del panel de control**

Botón	Función
<MENU>	Sale del menú o función actual
<UP>	Navega hacia arriba por la lista de menú y aumenta el valor numérico cuando está en una función
<DOWN>	Navega hacia abajo por la lista de menú y disminuye el valor numérico cuando está en una función
<ENTER>	Habilita el menú actualmente en pantalla o configura el valor seleccionado actualmente dentro de la función seleccionada

**Mapa de menú**

Nivel principal	Niveles de programación		Descripción	
<b>Address</b>	<b>001–512</b>		Selecciona la dirección inicial DMX	
<b>Run Mode</b>	<b>DMX</b>	<b>16CH</b>	Selecciona el modo de ejecución DMX	
		<b>10CH</b>		
	<b>Slave</b>	<b>Slave1–4</b>	Selecciona el modo Esclavo 1, 2, 3 o 4	
	<b>Auto</b>		Selecciona el modo Automático	
	<b>Sound</b>		Selecciona el modo Activo por sonido	
	<b>IR</b>		Selecciona el control por infrarrojos	
	<b>Manual</b>	<b>Pan</b>	<b>000–255</b>	Control manual de panorámico
		<b>Tilt</b>		Control manual de inclinación
		<b>Color</b>		Control manual de color
		<b>Gobo</b>		Control manual de gobo giratorio
		<b>Gobo Rotate</b>		Control manual de rotación de gobo
		<b>Gobo2</b>		Control manual de gobo estático
		<b>Prism</b>		Control manual de prisma
		<b>Focus</b>		Control manual de foco
		<b>Zoom</b>		Control manual de zoom
<b>Dimmer</b>		Control manual de atenuador		
<b>Shutter</b>	Control manual de obturador			
<b>Setup</b>	<b>Pan Reverse</b>	<b>OFF</b>	Funcionamiento de panorámico normal	
		<b>ON</b>	Invierte el funcionamiento del panorámico	
	<b>Tilt Reverse</b>	<b>OFF</b>	Funcionamiento inclinación normal	
		<b>ON</b>	Invierte el funcionamiento de la inclinación	
	<b>Screen Reverse</b>	<b>OFF</b>	Pantalla normal	
		<b>ON</b>	Invierte la pantalla	
	<b>Pan Angle</b>	<b>540</b>	Selecciona el rango de panorámico de 540°	
		<b>360</b>	Selecciona el rango de panorámico de 360°	
		<b>180</b>	Selecciona el rango de panorámico de 180°	
	<b>Tilt Angle</b>	<b>270</b>	Selecciona el rango de inclinación de 270°	
		<b>180</b>	Selecciona el rango de inclinación de 180°	
		<b>90</b>	Selecciona el rango de inclinación de 90°	
	<b>Totem Mode</b>	<b>OFF</b>	No restringe el movimiento panorámico y de inclinación	
		<b>UP</b>	Restringe el movimiento panorámico y de inclinación para el montaje en altura	
		<b>DOWN</b>	Restringe el movimiento panorámico y de inclinación para el montaje en suelo/superficie	
	<b>Sensitivity</b>	<b>001–100</b>	Control de sensibilidad al sonido	
	<b>Indicator</b>	<b>ON</b>	Activa/desactiva el indicador LED	
		<b>OFF</b>		
<b>Flash if DMX</b>	<b>ON</b>	Activa/desactiva destello si DMX		
	<b>OFF</b>			
<b>Reset</b>		Reinicia el producto		
<b>Factory Set</b>		Carga los valores por defecto de fábrica		
<b>Sys Info</b>	<b>Ver:</b>	<b>V_</b>	Muestra en pantalla la versión de firmware	
	<b>Running Mode</b>	<b>-----</b>	Muestra el modo de ejecución actual	
	<b>DMX Address</b>	<b>---</b>	Muestra la dirección DMX actual	
	<b>Temperature</b>	<b>---</b>	Muestra la temperatura actual del producto	

**Enlace DMX**

El Intimidator Spot 475Z puede funcionar con un controlador DMX cuando se enlaza por conexiones serie DMX. Las instrucciones para conectar y configurar este producto para funcionamiento DMX están en el Manual de usuario. Si no está familiarizado con DMX, descargue el Manual DMX de [www.chauvetdj.com](http://www.chauvetdj.com).

**Dirección de inicio**

Para asegurarse acceso total a todos los canales en cada modo DMX, la dirección DMX más recomendable es **497**.

**Conexión Maestro/Esclavo**

El Intimidator Spot 475Z usa la conexión de datos DMX para su modo Maestro/Esclavo. Las instrucciones para conectar y configurar este producto para funcionamiento Maestro/Esclavo están en el Manual de usuario.

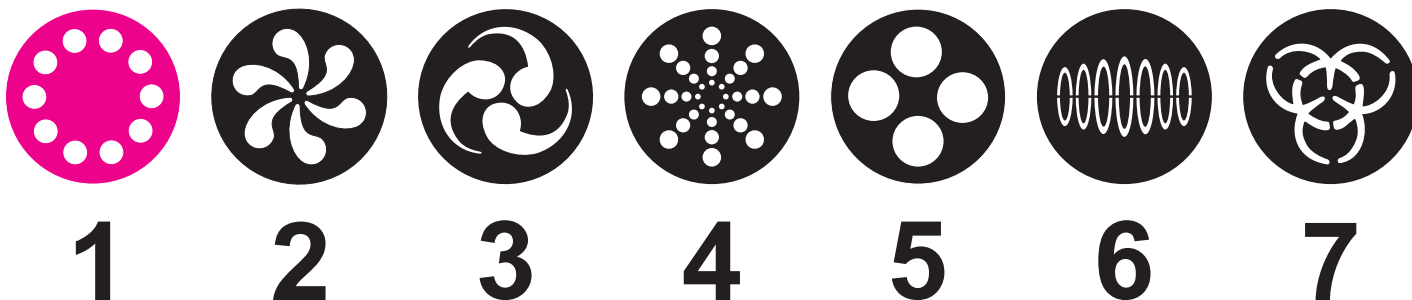
**IRC-6 (control remoto por infrarrojos)**

El Intimidator Spot 475Z es totalmente compatible con el control remoto por infrarrojos (IRC-6) de CHAUVET DJ. Para información adicional sobre el IRC-6 o para descargar las instrucciones, consulte [www.chauvetdj.com](http://www.chauvetdj.com).

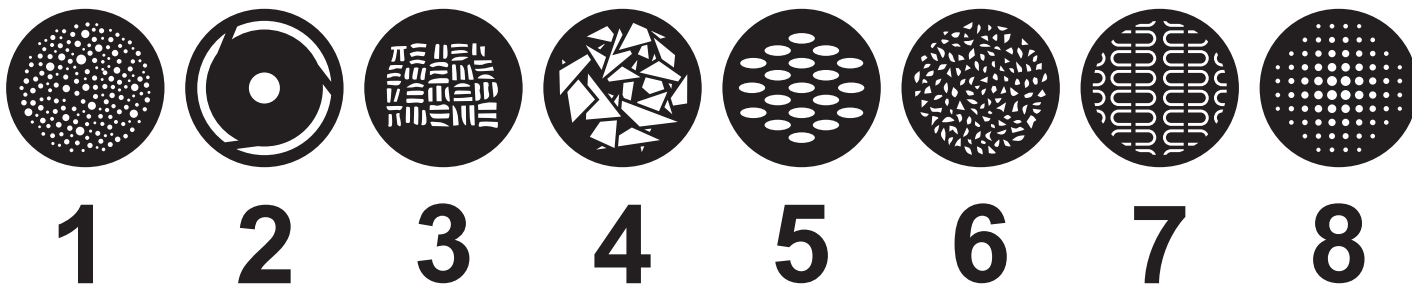
**Valores DMX**

**Gobos**

**Gobo - Rueda de gobo giratorio**



**Gobo2 - Rueda de gobo estático**



**16CH**

Canal	Función	Valor	Porcentaje/Configuración
1	Panorámico	000 ⇔ 255	0–540°
2	Panorámico fino	000 ⇔ 255	Control fino del panorámico
3	Inclinación	000 ⇔ 255	0–270°
4	Inclinación fina	000 ⇔ 255	Control fino de la inclinación
5	Velocidad	000 ⇔ 255	Velocidad de panorámico/inclinación, rápido a lento
6	Rueda de color	000 ⇔ 007	Blanco
		008 ⇔ 015	Naranja
		016 ⇔ 023	Verde lima
		024 ⇔ 031	Cian
		032 ⇔ 039	Rojo
		040 ⇔ 047	Verde
		048 ⇔ 055	Magenta
		056 ⇔ 063	Amarillo
		064	Blanco
		065 ⇔ 189	Indexación de color
		190 ⇔ 221	Ciclo de color arco iris, rápido a lento
		222 ⇔ 223	Parada
224 ⇔ 255	Ciclo de color arco iris inverso, lento a rápido		
7	Rueda de gobo giratorio (Gobo) (véase <a href="#">Gobos</a> )	000 ⇔ 007	Abierto
		008 ⇔ 015	Gobo 1
		016 ⇔ 023	Gobo 2
		024 ⇔ 031	Gobo 3
		032 ⇔ 039	Gobo 4
		040 ⇔ 047	Gobo 5
		048 ⇔ 055	Gobo 6
		056 ⇔ 063	Gobo 7
		064 ⇔ 071	Vibración gobo 7, lento a rápido
		072 ⇔ 079	Vibración gobo 6, lento a rápido
		080 ⇔ 087	Vibración gobo 5, lento a rápido
		088 ⇔ 095	Vibración gobo 4, lento a rápido
		096 ⇔ 103	Vibración gobo 3, lento a rápido
		104 ⇔ 111	Vibración gobo 2, lento a rápido
		112 ⇔ 119	Vibración gobo 1, lento a rápido
		120 ⇔ 127	Abierto
		128 ⇔ 191	Efecto cíclico, lento a rápido
		192 ⇔ 255	Efecto cíclico inverso, lento a rápido
8	Rotación de gobo	000 ⇔ 063	Indexación de gobo
		064 ⇔ 147	Rotación de gobo, lento a rápido
		148 ⇔ 231	Rotación de gobo inverso, lento a rápido
		232 ⇔ 255	Rebote de gobo, corto a largo

Canal	Función	Valor	Porcentaje/Configuración
9	Rueda de gobo estático (Gobo2) (véase <a href="#">Gobos</a> )	000 ⇔ 006	Abierto
		007 ⇔ 013	Gobo 1
		014 ⇔ 020	Gobo 2
		021 ⇔ 027	Gobo 3
		028 ⇔ 034	Gobo 4
		035 ⇔ 041	Gobo 5
		042 ⇔ 048	Gobo 6
		049 ⇔ 055	Gobo 7
		056 ⇔ 063	Gobo 8
		064 ⇔ 071	Vibración gobo 8, lento a rápido
		072 ⇔ 078	Vibración gobo 7, lento a rápido
		079 ⇔ 085	Vibración gobo 6, lento a rápido
		086 ⇔ 092	Vibración gobo 5, lento a rápido
		093 ⇔ 099	Vibración gobo 4, lento a rápido
		100 ⇔ 106	Vibración gobo 3, lento a rápido
		107 ⇔ 113	Vibración gobo 2, lento a rápido
		114 ⇔ 120	Vibración gobo 1, lento a rápido
		121 ⇔ 127	Abierto
		128 ⇔ 191	Efecto cíclico, lento a rápido
192 ⇔ 255	Efecto cíclico inverso, lento a rápido		
10	Prisma	000 ⇔ 003	Sin función
		004 ⇔ 006	Prisma 1 (redondo)
		007 ⇔ 065	Rotación, lento a rápido
		066 ⇔ 123	Rotación inverso, lento a rápido
		124 ⇔ 127	Prisma 1 (redondo)
		128 ⇔ 131	Sin función
		132 ⇔ 134	Prisma 2 (lineal)
		135 ⇔ 193	Rotación, lento a rápido
		194 ⇔ 251	Rotación inverso, lento a rápido
252 ⇔ 255	Prisma 2 (lineal)		
11	Foco	000 ⇔ 255	0–100%
12	Zoom	000 ⇔ 255	De ancho a estrecho
13	Atenuador	000 ⇔ 255	0–100%
14	Obturador	000 ⇔ 003	Apagado
		004 ⇔ 007	Encendido
		008 ⇔ 076	Estroboscopio, lento a rápido
		077 ⇔ 145	Estroboscopio de pulso, lento a rápido
		146 ⇔ 215	Estroboscopio aleatorio, lento a rápido
216 ⇔ 255	Encendido		



Canal	Función	Valor	Porcentaje/Configuración
<b>15</b>	<b>Control</b>	<b>000 ⇔ 007</b>	Sin función
		<b>008 ⇔ 015</b>	Oscuro en movimiento panorámico/inclinación
		<b>016 ⇔ 023</b>	Oscuro en movimiento de rueda de color
		<b>024 ⇔ 031</b>	Oscuro en movimiento de rueda de gobo
		<b>032 ⇔ 039</b>	Oscuro en movimiento panorámico/inclinación/rueda de color
		<b>040 ⇔ 047</b>	Oscuro en movimiento panorámico/inclinación/rueda de gobo
		<b>048 ⇔ 055</b>	Oscuro en movimiento panorámico/inclinación/rueda de color/rueda de gobo
		<b>056 ⇔ 095</b>	Sin función
		<b>096 ⇔ 103</b>	Reiniciar panorámico
		<b>104 ⇔ 111</b>	Reiniciar inclinación
		<b>112 ⇔ 119</b>	Reiniciar rueda de color
		<b>120 ⇔ 127</b>	Reiniciar ruedas de gobo
		<b>128 ⇔ 135</b>	Sin función
		<b>136 ⇔ 143</b>	Reiniciar prisma
		<b>144 ⇔ 151</b>	Sin función
		<b>152 ⇔ 159</b>	Reiniciar todos
		<b>160 ⇔ 255</b>	Sin función
<b>16</b>	<b>Macros de movimiento</b>	<b>000 ⇔ 007</b>	Sin función
		<b>008 ⇔ 023</b>	Macro de movimiento 1
		<b>024 ⇔ 039</b>	Macro de movimiento 2
		<b>040 ⇔ 055</b>	Macro de movimiento 3
		<b>056 ⇔ 071</b>	Macro de movimiento 4
		<b>072 ⇔ 087</b>	Macro de movimiento 5
		<b>088 ⇔ 103</b>	Macro de movimiento 6
		<b>104 ⇔ 119</b>	Macro de movimiento 7
		<b>120 ⇔ 135</b>	Macro de movimiento 8
		<b>136 ⇔ 151</b>	Macro de movimiento activo por sonido 1
		<b>152 ⇔ 167</b>	Macro de movimiento activo por sonido 2
		<b>168 ⇔ 183</b>	Macro de movimiento activo por sonido 3
		<b>184 ⇔ 199</b>	Macro de movimiento activo por sonido 4
		<b>200 ⇔ 215</b>	Macro de movimiento activo por sonido 5
		<b>216 ⇔ 231</b>	Macro de movimiento activo por sonido 6
		<b>232 ⇔ 247</b>	Macro de movimiento activo por sonido 7
		<b>248 ⇔ 255</b>	Macro de movimiento activo por sonido 8

ES

10CH

Canal	Función	Valor	Porcentaje/Configuración
1	Panorámico	000 ⇔ 255	0–540°
2	Inclinación	000 ⇔ 255	0–270°
3	Rueda de color	000 ⇔ 007	Blanco
		008 ⇔ 015	Naranja
		016 ⇔ 023	Verde lima
		024 ⇔ 031	Cian
		032 ⇔ 039	Rojo
		040 ⇔ 047	Verde
		048 ⇔ 055	Magenta
		056 ⇔ 063	Amarillo
		064	Blanco
		065 ⇔ 189	Indexación de color
		190 ⇔ 221	Ciclo de color arco iris, rápido a lento
		222 ⇔ 223	Parada
		224 ⇔ 255	Ciclo de color arco iris inverso, lento a rápido
		4	Rueda de gobo giratorio (Gobo) (véase <a href="#">Gobos</a> )
008 ⇔ 015	Gobo 1		
016 ⇔ 023	Gobo 2		
024 ⇔ 031	Gobo 3		
032 ⇔ 039	Gobo 4		
040 ⇔ 047	Gobo 5		
048 ⇔ 055	Gobo 6		
056 ⇔ 063	Gobo 7		
064 ⇔ 071	Vibración gobo 7, lento a rápido		
072 ⇔ 079	Vibración gobo 6, lento a rápido		
080 ⇔ 087	Vibración gobo 5, lento a rápido		
088 ⇔ 095	Vibración gobo 4, lento a rápido		
096 ⇔ 103	Vibración gobo 3, lento a rápido		
104 ⇔ 111	Vibración gobo 2, lento a rápido		
112 ⇔ 119	Vibración gobo 1, lento a rápido		
120 ⇔ 127	Abierto		
128 ⇔ 191	Efecto cíclico, lento a rápido		
192 ⇔ 255	Efecto cíclico inverso, lento a rápido		
5	Rotación de gobo		
		064 ⇔ 147	Rotación de gobo, lento a rápido
		148 ⇔ 231	Rotación de gobo inverso, lento a rápido
		232 ⇔ 255	Rebote de gobo, corto a largo

Canal	Función	Valor	Porcentaje/Configuración
6	<b>Rueda de gobo estático (Gobo2)</b> (véase <a href="#">Gobos</a> )	000 ⇔ 006	Abierto
		007 ⇔ 013	Gobo 1
		014 ⇔ 020	Gobo 2
		021 ⇔ 027	Gobo 3
		028 ⇔ 034	Gobo 4
		035 ⇔ 041	Gobo 5
		042 ⇔ 048	Gobo 6
		049 ⇔ 055	Gobo 7
		056 ⇔ 063	Gobo 8
		064 ⇔ 071	Vibración gobo 8, lento a rápido
		072 ⇔ 078	Vibración gobo 7, lento a rápido
		079 ⇔ 085	Vibración gobo 6, lento a rápido
		086 ⇔ 092	Vibración gobo 5, lento a rápido
		093 ⇔ 099	Vibración gobo 4, lento a rápido
		100 ⇔ 106	Vibración gobo 3, lento a rápido
		107 ⇔ 113	Vibración gobo 2, lento a rápido
		114 ⇔ 120	Vibración gobo 1, lento a rápido
		121 ⇔ 127	Abierto
128 ⇔ 191	Efecto cíclico, lento a rápido		
192 ⇔ 255	Efecto cíclico inverso, lento a rápido		
7	<b>Prisma</b>	000 ⇔ 003	Sin función
		004 ⇔ 006	Prisma 1 (redondo)
		007 ⇔ 065	Rotación, lento a rápido
		066 ⇔ 123	Rotación inverso, lento a rápido
		124 ⇔ 127	Prisma 1 (redondo)
		128 ⇔ 131	Sin función
		132 ⇔ 134	Prisma 2 (lineal)
		135 ⇔ 193	Rotación, lento a rápido
		194 ⇔ 251	Rotación inverso, lento a rápido
		252 ⇔ 255	Prisma 2 (lineal)
8	<b>Foco</b>	000 ⇔ 255	0–100%
9	<b>Zoom</b>	000 ⇔ 255	De ancho a estrecho
10	<b>Obturador</b>	000 ⇔ 003	Apagado
		004 ⇔ 007	Encendido
		008 ⇔ 076	Estroboscopio, lento a rápido
		077 ⇔ 145	Estroboscopio de pulso, lento a rápido
		146 ⇔ 215	Estroboscopio aleatorio, lento a rápido
		216 ⇔ 255	Encendido

## A propos de ce manuel

Le Manuel de Référence (MdR) du Intimidator Spot 475Z reprend des informations de base sur cet appareil notamment en matière de montage, d'options de menu et de valeurs DMX. Veuillez télécharger le manuel d'utilisation à partir du site internet [www.chauvetdj.com](http://www.chauvetdj.com) pour plus de détails.

### Clause de non Responsabilité

Les informations et caractéristiques contenues dans ce MdR sont sujettes à modification sans préavis.

### GARANTIE LIMITÉE

**VEUILLEZ VISITER NOTRE SITE INTERNET POUR CONSULTER LES MODALITÉS D'ENREGISTREMENT DE LA GARANTIE ET LES CONDITIONS GÉNÉRALES COMPLÈTES.**

Pour les clients aux États-Unis et au Mexique: [www.chauvetlighting.com/warranty-registration](http://www.chauvetlighting.com/warranty-registration).

Pour les clients du Royaume-Uni, de la République d'Irlande, de la Belgique, des Pays-Bas, du Luxembourg, de la France et de l'Allemagne: [www.chauvetlighting.eu/warranty-registration](http://www.chauvetlighting.eu/warranty-registration).

Chauvet garantit que cet appareil est exempt de défauts de matériaux et de fabrication dans des conditions normales d'utilisation, pendant la période spécifiée dans la garantie limitée complète consultable sur notre site Internet et sous réserve des exclusions et limitations qui y sont énoncées. Cette garantie ne s'applique qu'à l'acheteur initial du produit et n'est pas transférable. Pour exercer les droits prévus par cette garantie, vous devez fournir une preuve d'achat sous la forme d'un reçu de vente original d'un revendeur autorisé qui indique le nom du produit et la date d'achat. IL N'EXISTE AUCUNE AUTRE GARANTIE EXPRESSE OU IMPLICITE. Cette garantie vous confère des droits légaux spécifiques. Vous pouvez également bénéficier d'autres droits qui varient selon les états et les pays. Cette garantie n'est valable qu'aux États-Unis, au Royaume-Uni, en République d'Irlande, en Belgique, aux Pays-Bas, au Luxembourg, en France, en Allemagne et au Mexique. Pour connaître les conditions de garantie dans d'autres pays, veuillez consulter votre revendeur local.

### Consignes de Sécurité

Ces consignes de sécurité contiennent des informations importantes en matière d'installation, d'utilisation et d'entretien.



- Cet appareil DOIT être relié à un circuit mis à la terre et protégé.
- Toujours débrancher l'appareil de la source d'alimentation avant de le nettoyer ou de remplacer son fusible.
- NE PAS exposer directement les yeux à la source de lumière lorsque le produit est allumé.
- Veillez à ce que le cordon d'alimentation ne soit jamais pincé ou endommagé.
- Ne débranchez jamais cet appareil en tirant sur le cordon d'alimentation.
- En cas de montage de l'appareil en hauteur, veillez à toujours utiliser un câble de sécurité.
- NE PAS laisser de produit inflammable à proximité de l'appareil lorsque celui-ci fonctionne.
- NE PAS toucher au boîtier de l'appareil lorsqu'il est en fonctionnement, celui-ci pouvant être très chaud.



- La tension de la source d'énergie à laquelle est connecté cet appareil doit être dans la plage indiquée sur l'étiquette ou sur le panneau arrière de l'appareil.
- Cet appareil doit uniquement être utilisé en intérieur! (IP20) Afin d'éviter tout risque d'incendie ou de décharge électrique, veillez à n'exposer cet appareil ni à la pluie ni à l'humidité.
- Installez toujours cet appareil dans un endroit bien ventilé à au moins 50 cm (20 po) des surfaces adjacentes.
- Assurez-vous qu'aucune fente de ventilation de l'appareil n'est obstruée.
- Ne connectez jamais cet appareil à un variateur ou un rhéostat.
- Lors du remplacement du fusible, utilisez le même type et le même ampérage.
- Utilisez EXCLUSIVEMENT le support de suspension/fixation pour soulever cet appareil.
- La température ambiante maximale est de 40 °C (104 °F). Ne faites pas fonctionner cet appareil à des températures plus élevées.
- En cas de sérieux problèmes de fonctionnement, arrêtez l'appareil immédiatement.
- NE PAS ouvrir cet appareil. Il ne contient aucune pièce réparable par l'utilisateur.
- Durant les périodes de non-utilisation, pour éviter toute usure inutile et pour prolonger la durée de vie, éteignez complètement l'appareil en le débranchant ou en coupant le disjoncteur.

En dehors des États-Unis, du Royaume-Uni, de l'Irlande, du Benelux, de la France, de l'Allemagne, ou du Mexique, contactez votre fournisseur si vous avez besoin d'assistance ou pour retourner un appareil. Référez-vous à [Contact Us](#) à la fin de ce MdR pour obtenir des informations pour nous contacter.

### Contenu

- Intimidator Spot 475Z
- Fixation de suspension
- Filtre CTO 4000K
- Manuel de Référence
- Cordon d'alimentation

### Préalable

Déballer votre Intimidator Spot 475Z et assurez-vous que vous avez reçu toutes les pièces en bon état. Si la boîte et/ou son contenu semble endommagés, contactez immédiatement le transporteur, et non pas Chauvet.

### Alimentation CA

Cet appareil est doté d'une alimentation universelle qui peut prendre en charge toute tension d'entrée comprise entre 100 et 240 VCA, 50/60 Hz.



**Durant les périodes de non-utilisation, pour éviter toute usure inutile et pour prolonger la durée de vie, éteignez complètement l'appareil en le débranchant ou en coupant le disjoncteur.**

### Chaînage électrique

Pour savoir combien de projecteurs Intimidator Spot 475Z peuvent être chaînés entre eux au maximum sur du 120 V ou du 240 V, veuillez consulter le manuel de l'utilisateur ou l'étiquette sur l'appareil.

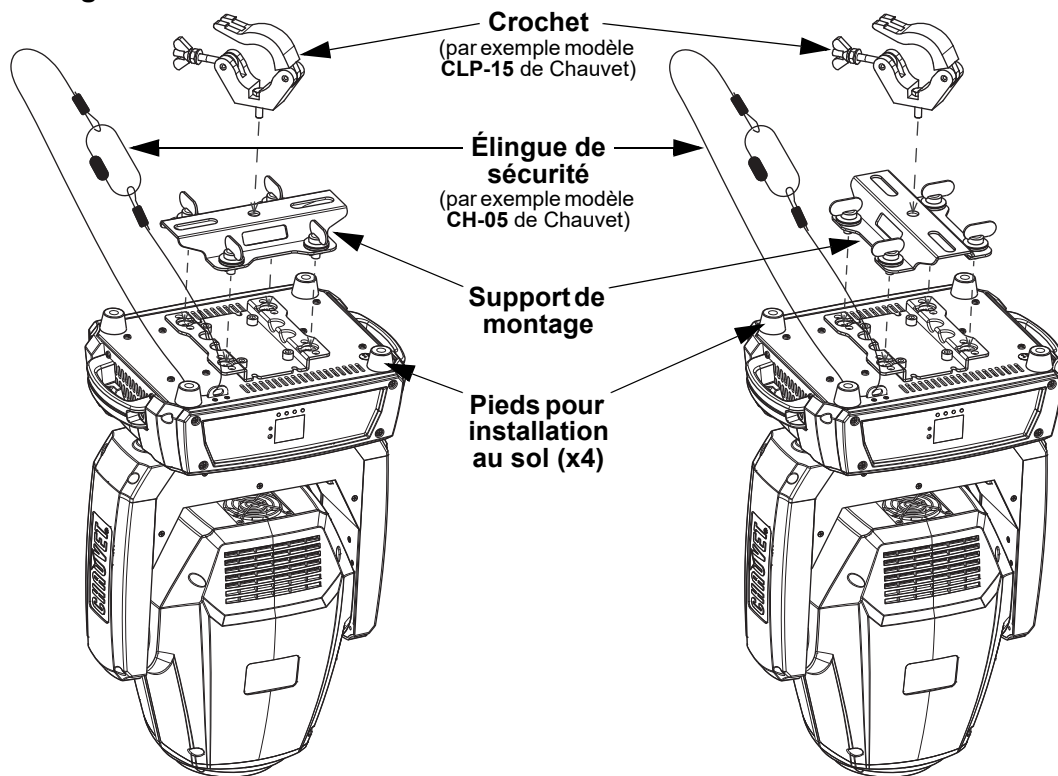
### Remplacement des fusibles

1. Débranchez l'appareil.
2. Avec un tournevis à tête plate, desserrez le porte-fusible et retirez-le directement.
3. Enlevez le fusible grillé du porte fusible et remplacez-le par un fusible de même type et de même ampérage.
4. Remettez le porte-fusible en place puis rebranchez.

### Montage

Avant de monter cet appareil, veuillez lire les [Consignes de Sécurité](#).

### Schéma de montage



### Description du panneau de commande

Bouton	Fonction
<MENU>	Permet de sortir du menu ou de la fonction en cours
<UP>	Permet de naviguer vers le haut dans la liste du menu et d'incrémenter une valeur numérique dans une fonction
<DOWN>	Permet de naviguer vers le bas dans la liste du menu et de décrémenter une valeur numérique dans une fonction
<ENTER>	Active l'entrée de menu actuellement affichée ou confirme la valeur actuellement sélectionnée pour la fonction en cours de sélection

Menu carte

Fonction principale	Niveaux de programmation		Description	
<b>Address</b>	<b>001–512</b>		Sélectionne l'adresse DMX de départ	
<b>Run Mode</b>	<b>DMX</b>	<b>16CH</b>	Activation du mode DMX	
		<b>10CH</b>		
	<b>Slave</b>	<b>Slave1–4</b>	Active le mode esclave (1, 2, 3 ou 4)	
	<b>Auto</b>		Activation du mode automatique	
	<b>Sound</b>		Activation du mode d'activation par la musique.	
	<b>IR</b>		Activation du contrôle par infra-rouge	
	<b>Manual</b>	<b>000–255</b>	<b>Pan</b>	Contrôle manuel de pan
			<b>Tilt</b>	Contrôle manuel de tilt
			<b>Color</b>	Contrôle manuel de la couleur
			<b>Gobo</b>	Contrôle manuel de gobo rotative
			<b>Gobo Rotate</b>	Contrôle manuel de la rotation de gobo
			<b>Gobo2</b>	Contrôle manuel de gobo statique
			<b>Prism</b>	Contrôle manuel de prisme
			<b>Focus</b>	Contrôle manuel de focale
<b>Zoom</b>			Contrôle manuel de zoom	
<b>Dimmer</b>			Contrôle manuel de gradateur	
<b>Shutter</b>	Contrôle manuel de obturateur			
<b>Setup</b>	<b>Pan Reverse</b>	<b>OFF</b>	Fonctionnement normal du pan	
		<b>ON</b>	Fonctionnement inversé du pan	
	<b>Tilt Reverse</b>	<b>OFF</b>	Fonctionnement normal du tilt	
		<b>ON</b>	Fonctionnement inversé du tilt	
	<b>Screen Reverse</b>	<b>OFF</b>	Affichage normal	
		<b>ON</b>	Affichage inversé	
	<b>Pan Angle</b>	<b>540</b>	Sélection de la plage de pan sur un angle de 540°	
		<b>360</b>	Sélection de la plage de pan sur un angle de 360°	
		<b>180</b>	Sélection de la plage de pan sur un angle de 180°	
	<b>Tilt Angle</b>	<b>270</b>	Sélection de la plage de tilt sur un angle de 270°	
		<b>180</b>	Sélection de la plage de tilt sur un angle de 180°	
		<b>90</b>	Sélection de la plage de tilt sur un angle de 90°	
	<b>Totem Mode</b>	<b>OFF</b>	Ne limite pas le mouvement de panoramique et de l'inclinaison	
		<b>UP</b>	Limite le mouvement de panoramique et d'inclinaison pour l'installation en hauteur	
		<b>DOWN</b>	Limite le mouvement de panoramique et d'inclinaison pour la l'installation sur une surface ou sur le sol	
	<b>Sensitivity</b>	<b>001–100</b>	Contrôle de la sensibilité au son	
	<b>Indicator</b>	<b>ON</b>	Active/désactive l'indicateur LED	
<b>OFF</b>				
<b>Flash if DMX</b>	<b>ON</b>	Active/désactive flash si DMX		
	<b>OFF</b>			
<b>Reset</b>		Réinitialisation de l'appareil		
<b>Factory Set</b>		Chargement des paramètres par défaut		
<b>Sys Info</b>	<b>Ver:</b>	<b>V_</b>	Affiche la version du micrologiciel	
	<b>Running Mode</b>	<b>-----</b>	Affiche le mode d'exécution courant	
	<b>DMX Address</b>	<b>---</b>	Affiche l'adresse DMX courante	
	<b>Temperature</b>	<b>---</b>	Affiche la température actuelle du produit	

### Chaînage DMX

Le Intimidator Spot 475Z peut fonctionner avec un contrôleur DMX. Les instructions pour la connexion et la configuration de cet appareil pour le fonctionnement en DMX sont indiquées dans le manuel d'utilisation. Si vous n'êtes pas familier avec le protocole DMX, vous pouvez télécharger l'introduction au DMX à l'adresse [www.chauvetdj.com](http://www.chauvetdj.com).

### Adresse de départ

Pour permettre un accès à l'ensemble des canaux de chaque mode DMX, l'adresse DMX maximale recommandée est **497**.

### Connexion maître/esclave

Le Intimidator Spot 475Z utilise une connexion de données DMX pour le fonctionnement de son mode maître/esclave. Les instructions pour la connexion et la configuration de cet appareil pour le fonctionnement en maître/esclave sont indiquées dans le manuel d'utilisation.

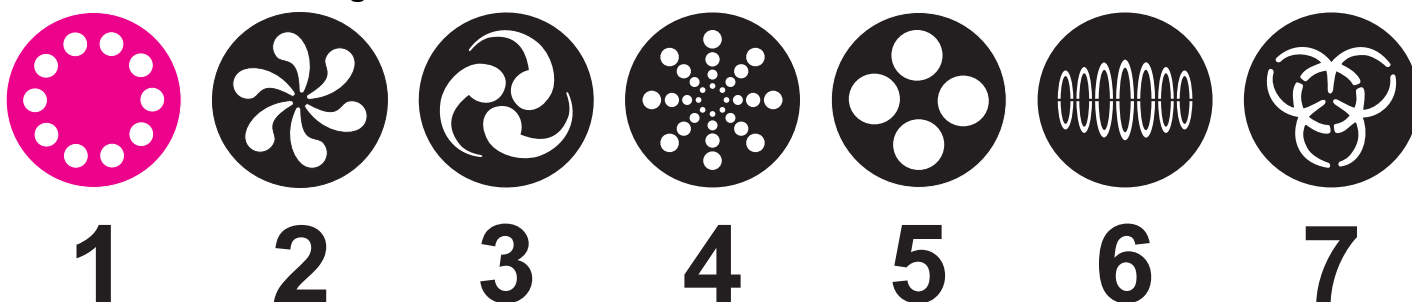
### IRC-6 (Télécommande par infrarouge)

Le Intimidator Spot 475Z est compatible avec la télécommande infra-rouge (IRC-6) de CHAUVET DJ. Pour plus d'informations sur l'IRC-6 ou pour télécharger les instructions, rendez-vous à l'adresse [www.chauvetdj.com](http://www.chauvetdj.com).

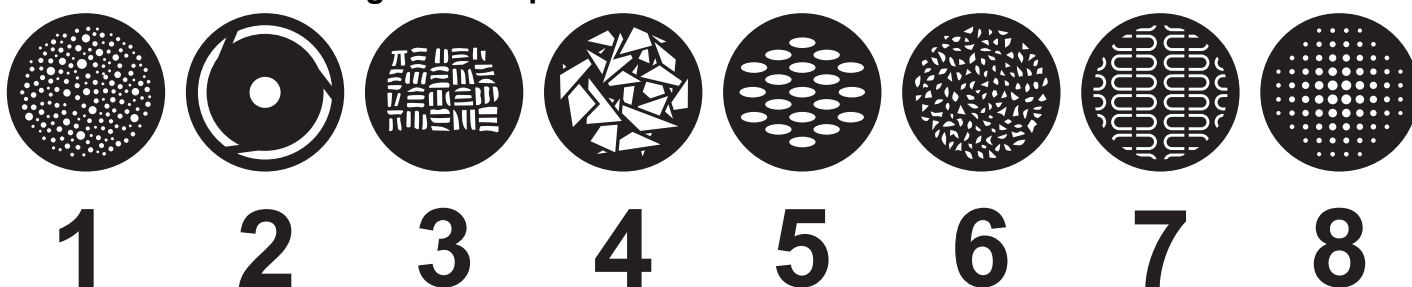
### Valeurs DMX

#### Gobos

#### Gobo - Roue de gobo rotative



#### Gobo2 - Roue de gobo statique



16CH

Canal	Fonction	Valeur	Pourcentage/Paramétrage
1	Pan	000 ⇔ 255	0 à 540°
2	Pan fin	000 ⇔ 255	Contrôle précis du pan
3	Tilt	000 ⇔ 255	0 à 270°
4	Tilt fin	000 ⇔ 255	Contrôle précis du tilt
5	Vitesse de pan/tilt	000 ⇔ 255	Vitesse de pan/tilt (rapide à lent)
6	Roue de couleur	000 ⇔ 007	Blanc
		008 ⇔ 015	Orange
		016 ⇔ 023	Vert citron
		024 ⇔ 031	Cyan
		032 ⇔ 039	Rouge
		040 ⇔ 047	Vert
		048 ⇔ 055	Magenta
		056 ⇔ 063	Jaune
		064	Blanc
		065 ⇔ 189	Indexation des couleurs
		190 ⇔ 221	Arc-en-ciel de couleur en cycle, rapide à lent
		222 ⇔ 223	Arrêt
224 ⇔ 255	Arc-en-ciel de couleur en cycle inverse, lent à rapide		
7	Roue de gobo rotative (Gobo) (voir la section <a href="#">Gobos</a> )	000 ⇔ 007	Ouvert
		008 ⇔ 015	Gobo 1
		016 ⇔ 023	Gobo 2
		024 ⇔ 031	Gobo 3
		032 ⇔ 039	Gobo 4
		040 ⇔ 047	Gobo 5
		048 ⇔ 055	Gobo 6
		056 ⇔ 063	Gobo 7
		064 ⇔ 071	Tremblement du gobo 7, lent à rapide
		072 ⇔ 079	Tremblement du gobo 6, lent à rapide
		080 ⇔ 087	Tremblement du gobo 5, lent à rapide
		088 ⇔ 095	Tremblement du gobo 4, lent à rapide
		096 ⇔ 103	Tremblement du gobo 3, lent à rapide
		104 ⇔ 111	Tremblement du gobo 2, lent à rapide
		112 ⇔ 119	Tremblement du gobo 1, lent à rapide
		120 ⇔ 127	Ouvert
		128 ⇔ 191	Effet de cycle, lent à rapide
192 ⇔ 255	Effet de cycle inversé, lent à rapide		
8	Rotation de Gobo	000 ⇔ 063	Indexation de gobo
		064 ⇔ 147	Rotation de gobo, lent à rapide
		148 ⇔ 231	Rotation de gobo inversé, lent à rapide
		232 ⇔ 255	Rebond de gobo, court à long



Canal	Fonction	Valeur	Pourcentage/Paramétrage
9	Roue de gobo statique (Gobo2) (voir la section <a href="#">Gobos</a> )	000 ⇔ 006	Ouvert
		007 ⇔ 013	Gobo 1
		014 ⇔ 020	Gobo 2
		021 ⇔ 027	Gobo 3
		028 ⇔ 034	Gobo 4
		035 ⇔ 041	Gobo 5
		042 ⇔ 048	Gobo 6
		049 ⇔ 055	Gobo 7
		056 ⇔ 063	Gobo 8
		064 ⇔ 071	Tremblement du gobo 8, lent à rapide
		072 ⇔ 078	Tremblement du gobo 7, lent à rapide
		079 ⇔ 085	Tremblement du gobo 6, lent à rapide
		086 ⇔ 092	Tremblement du gobo 5, lent à rapide
		093 ⇔ 099	Tremblement du gobo 4, lent à rapide
		100 ⇔ 106	Tremblement du gobo 3, lent à rapide
		107 ⇔ 113	Tremblement du gobo 2, lent à rapide
		114 ⇔ 120	Tremblement du gobo 1, lent à rapide
		121 ⇔ 127	Ouvert
128 ⇔ 191	Effet de cycle inversé, lent à rapide		
192 ⇔ 255	Effet de cycle, lent à rapide		
10	Prisme	000 ⇔ 003	Pas de fonction
		004 ⇔ 006	Prisme 1 (rond)
		007 ⇔ 065	Rotation, lent à rapide
		066 ⇔ 123	Rotation inversé, lent à rapide
		124 ⇔ 127	Prisme 1 (rond)
		128 ⇔ 131	Pas de fonction
		132 ⇔ 134	Prisme 2 (linéaire)
		135 ⇔ 193	Rotation, lent à rapide
		194 ⇔ 251	Rotation inversé, lent à rapide
		252 ⇔ 255	Prisme 2 (linéaire)
11	Focale	000 ⇔ 255	0–100%
12	Zoom	000 ⇔ 255	Large à étroit
13	Gradateur	000 ⇔ 255	0–100%
14	Obturbateur	000 ⇔ 003	Éteint
		004 ⇔ 007	Allumé
		008 ⇔ 076	Stroboscope, lent à rapide
		077 ⇔ 145	Stroboscope à pulsation, lent à rapide
		146 ⇔ 215	Stroboscope aléatoire, lent à rapide
		216 ⇔ 255	Allumé

Canal	Fonction	Valeur	Pourcentage/Paramétrage
15	Contrôle	000 ⇔ 007	Pas de fonction
		008 ⇔ 015	Noir général pendant mouvement de pan/tilt
		016 ⇔ 023	Noir général pendant mouvement de roue de couleurs
		024 ⇔ 031	Noir général pendant mouvement de roue de gobos
		032 ⇔ 039	Noir général lors des mouvements de pan/tilt/roue de couleur
		040 ⇔ 047	Noir général lors des mouvements de pan/tilt/roues de gobo
		048 ⇔ 055	Noir général lors des mouvements de pan/tilt/roues de couleur/gobo
		056 ⇔ 095	Pas de fonction
		096 ⇔ 103	Réinitialisation du pan
		104 ⇔ 111	Réinitialisation du tilt
		112 ⇔ 119	Réinitialisation de la roue de couleur
		120 ⇔ 127	Réinitialisation de la roue de gobo
		128 ⇔ 135	Pas de fonction
		136 ⇔ 143	Réinitialisation du prisme
		144 ⇔ 151	Pas de fonction
		152 ⇔ 159	Réinitialisation de tous
		160 ⇔ 255	Pas de fonction
16	Macros de mouvement	000 ⇔ 007	Pas de fonction
		008 ⇔ 023	Macro de mouvement 1
		024 ⇔ 039	Macro de mouvement 2
		040 ⇔ 055	Macro de mouvement 3
		056 ⇔ 071	Macro de mouvement 4
		072 ⇔ 087	Macro de mouvement 5
		088 ⇔ 103	Macro de mouvement 6
		104 ⇔ 119	Macro de mouvement 7
		120 ⇔ 135	Macro de mouvement 8
		136 ⇔ 151	Macro de mouvement activé par le son 1
		152 ⇔ 167	Macro de mouvement activé par le son 2
		168 ⇔ 183	Macro de mouvement activé par le son 3
		184 ⇔ 199	Macro de mouvement activé par le son 4
		200 ⇔ 215	Macro de mouvement activé par le son 5
		216 ⇔ 231	Macro de mouvement activé par le son 6
		232 ⇔ 247	Macro de mouvement activé par le son 7
		248 ⇔ 255	Macro de mouvement activé par le son 8

**10CH**

Canal	Fonction	Valeur	Pourcentage/Paramétrage
1	Pan	000 ⇔ 255	0 à 540°
2	Tilt	000 ⇔ 255	0 à 270°
3	Roue de couleur	000 ⇔ 007	Blanc
		008 ⇔ 015	Orange
		016 ⇔ 023	Vert citron
		024 ⇔ 031	Cyan
		032 ⇔ 039	Rouge
		040 ⇔ 047	Vert
		048 ⇔ 055	Magenta
		056 ⇔ 063	Jaune
		064	Blanc
		065 ⇔ 189	Indexation des couleurs
		190 ⇔ 221	Arc-en-ciel de couleur en cycle, rapide à lent
		222 ⇔ 223	Arrêt
		224 ⇔ 255	Arc-en-ciel de couleur en cycle inverse, lent à rapide
4	Roue de gobo rotative (Gobo) (voir la section <a href="#">Gobos</a> )	000 ⇔ 007	Ouvert
		008 ⇔ 015	Gobo 1
		016 ⇔ 023	Gobo 2
		024 ⇔ 031	Gobo 3
		032 ⇔ 039	Gobo 4
		040 ⇔ 047	Gobo 5
		048 ⇔ 055	Gobo 6
		056 ⇔ 063	Gobo 7
		064 ⇔ 071	Tremblement du gobo 7, lent à rapide
		072 ⇔ 079	Tremblement du gobo 6, lent à rapide
		080 ⇔ 087	Tremblement du gobo 5, lent à rapide
		088 ⇔ 095	Tremblement du gobo 4, lent à rapide
		096 ⇔ 103	Tremblement du gobo 3, lent à rapide
		104 ⇔ 111	Tremblement du gobo 2, lent à rapide
		112 ⇔ 119	Tremblement du gobo 1, lent à rapide
		120 ⇔ 127	Ouvert
		128 ⇔ 191	Effet de cycle, lent à rapide
192 ⇔ 255	Effet de cycle inversé, lent à rapide		
5	Rotation de Gobo	000 ⇔ 063	Indexation de gobo
		064 ⇔ 147	Rotation de gobo, lent à rapide
		148 ⇔ 231	Rotation de gobo inversé, lent à rapide
		232 ⇔ 255	Rebond de gobo, court à long

Canal	Fonction	Valeur	Pourcentage/Paramétrage
6	Roue de gobo statique (Gobo2) (voir la section <a href="#">Gobos</a> )	000 ⇔ 006	Ouvert
		007 ⇔ 013	Gobo 1
		014 ⇔ 020	Gobo 2
		021 ⇔ 027	Gobo 3
		028 ⇔ 034	Gobo 4
		035 ⇔ 041	Gobo 5
		042 ⇔ 048	Gobo 6
		049 ⇔ 055	Gobo 7
		056 ⇔ 063	Gobo 8
		064 ⇔ 071	Tremblement du gobo 8, lent à rapide
		072 ⇔ 078	Tremblement du gobo 7, lent à rapide
		079 ⇔ 085	Tremblement du gobo 6, lent à rapide
		086 ⇔ 092	Tremblement du gobo 5, lent à rapide
		093 ⇔ 099	Tremblement du gobo 4, lent à rapide
		100 ⇔ 106	Tremblement du gobo 3, lent à rapide
		107 ⇔ 113	Tremblement du gobo 2, lent à rapide
		114 ⇔ 120	Tremblement du gobo 1, lent à rapide
		7	Prisme
128 ⇔ 191	Effet de cycle inversé, lent à rapide		
192 ⇔ 255	Effet de cycle, lent à rapide		
000 ⇔ 003	Pas de fonction		
004 ⇔ 006	Prisme 1 (rond)		
007 ⇔ 065	Rotation, lent à rapide		
066 ⇔ 123	Rotation inversé, lent à rapide		
124 ⇔ 127	Prisme 1 (rond)		
128 ⇔ 131	Pas de fonction		
132 ⇔ 134	Prisme 2 (linéaire)		
8	Focale	135 ⇔ 193	Rotation, lent à rapide
		194 ⇔ 251	Rotation inversé, lent à rapide
9	Zoom	252 ⇔ 255	Prisme 2 (linéaire)
10	Obturateur	000 ⇔ 255	0–100%
		000 ⇔ 003	Éteint
		004 ⇔ 007	Allumé
		008 ⇔ 076	Stroboscope, lent à rapide
		077 ⇔ 145	Stroboscope à pulsation, lent à rapide
		146 ⇔ 215	Stroboscope aléatoire, lent à rapide
		216 ⇔ 255	Allumé

## Über diese Schnellanleitung

In der Schnellanleitung des Intimidator Spot 475Z finden Sie die wesentlichen Produktinformationen, wie etwa über die Montage, Menüoptionen und DMX-Werte des Geräts. Laden Sie für weiterführende Informationen unter [www.chauvetdj.com](http://www.chauvetdj.com) das Benutzerhandbuch herunter.

### Haftungsausschluss

Die in dieser Anleitung aufgeführten Informationen und Spezifikationen können ohne vorherige Ankündigung geändert werden.

### EINGESCHRÄNKTE GARANTIE

**ZUR REGISTRIERUNG FÜR GARANTIEANSPRÜCHE UND ZUR EINSICHT IN DIE VOLLSTÄNDIGEN GESCHÄFTSBEDINGUNGEN BESUCHEN SIE BITTE UNSERE WEBSITE.**

Für Kunden in den USA und in Mexiko: [www.chauvetlighting.com/warranty-registration](http://www.chauvetlighting.com/warranty-registration).

Für Kunden im Vereinigten Königreich, in Irland, Belgien, den Niederlanden, Luxemburg, Frankreich und Deutschland: [www.chauvetlighting.eu/warranty-registration](http://www.chauvetlighting.eu/warranty-registration).

Chauvet garantiert für die in der auf unserer Website veröffentlichten vollständigen eingeschränkten Garantie genannten Dauer und unter Vorbehalt der darin genannten Haftungsausschlüsse und -beschränkungen, dass dieses Produkt bei normalen Gebrauch frei von Material- und Verarbeitungsfehlern ist. Diese Garantie erstreckt sich nur auf den Erstkäufer des Produkts und ist nicht übertragbar. Zur Ausübung der unter dieser Garantie gewährten Rechte ist der Kaufbeleg in Form der Originalrechnung von einem autorisierten Händler vorzulegen, in der die Produktbezeichnung und das Kaufdatum vermerkt sein müssen. **ES BESTEHEN KEINE WEITEREN AUSDRÜCKLICHEN ODER STILLSCHWEIGENDEN GARANTIEEN.** Diese Garantie gibt Ihnen besondere gesetzliche Rechte. Und Sie haben möglicherweise weitere Rechte, die von Land zu Land unterschiedlich sein können. Diese Garantie ist nur in den USA, im Vereinigten Königreich, in Irland, Belgien, den Niederlanden, Luxemburg, Frankreich, Deutschland und Mexiko gültig. Bezüglich der Garantiebestimmungen in anderen Ländern wenden Sie sich bitte an Ihren lokalen Händler.

### Sicherheitshinweise

Diese Sicherheitshinweise enthalten wichtige Informationen über die Montage, Verwendung und Wartung des Geräts.



- Schließen Sie dieses Produkt NUR an einen mit der Erde verbundenen und geschützten Stromkreis an.
- Trennen Sie das Gerät von der Stromquelle, bevor Sie es reinigen oder die Sicherung auswechseln.
- NIEMALS in die Lichtquelle schauen, während das Gerät eingeschaltet ist.
- Stellen Sie sicher, dass das Netzkabel nicht gequetscht oder beschädigt ist.
- Ziehen Sie beim Trennen des Geräts von der Stromversorgung nie am Kabel.
- Bei Montage über Kopf immer ein Sicherungsseil verwenden.
- KEINE entflammaren Materialien während des Betriebs in der Nähe des Geräts lagern.
- NIEMALS während des Betriebs das Gehäuse berühren, da dies sehr heiß wird.



- Die Spannung der Schukosteckdose, an die Sie das Gerät anschließen, muss sich innerhalb des Spannungsbereiches befinden, der auf dem Hinweisschild oder dem rückwärtigen Bedienfeld des Geräts angegeben ist.
- Dieses Gerät darf nur im Innenbereich verwendet werden. (IP20) Um das Risiko von Bränden oder elektrischen Schlägen zu vermeiden, dürfen Sie das Gerät nicht Regen oder Feuchtigkeit aussetzen.
- Installieren Sie das Gerät an einem Ort mit ausreichender Belüftung und mit einem Abstand von 50 cm zu den angrenzenden Flächen.
- Stellen Sie sicher, dass die Lüftungsöffnungen im Gehäuse des Geräts nicht verschlossen sind.
- Schließen Sie dieses Gerät niemals an einen Dimmer oder Regelwiderstand an.
- Achten Sie beim Auswechseln der Sicherung darauf, den gleichen Typ mit den gleichen Werten zu verwenden.
- Das Gerät NUR an den Hänge-/Befestigungsbügeln oder Griffen tragen.
- Die maximal zulässige Umgebungstemperatur beträgt 40 °C. Nehmen Sie das Gerät nicht bei höheren Temperaturen in Betrieb.
- Bei ernsthaften Betriebsproblemen stoppen Sie umgehend die Verwendung des Geräts.
- Dieses Gerät NICHT öffnen. Die eingebauten Komponenten sind für den Kunden wartungsfrei.
- Um unnötigen Verschleiß zu vermeiden und die Lebensdauer des Geräts zu verlängern, trennen Sie während längerer Perioden des Nichtgebrauchs das Gerät vom Stromnetz – entweder per Trennschalter oder durch Herausziehen des Steckers aus der Steckdose.

### Kontakt

Kunden außerhalb der USA, GB, Irland, Benelux, Frankreich, Deutschland oder Mexiko wenden sich an ihren Lieferanten, um den Kundensupport in Anspruch zu nehmen oder ein Produkt zurückzuschicken. Kontaktinformationen finden Sie im [Contact Us](#) am Ende dieses QRG.

### Packungsinhalt

- Intimidator Spot 475Z
- 4000 K CTO-Filter
- Netzkabel
- Hängebügel
- Schnellanleitung

### Start

Packen Sie Ihren Intimidator Spot 475Z aus und überprüfen Sie, ob Sie alle Teile unbeschädigt erhalten haben. Wenn die Verpackung beschädigt ist, benachrichtigen Sie umgehend das Transportunternehmen, nicht jedoch Chauvet.

## Wechselstrom

Dieses Gerät verfügt über ein Vorschaltgerät, das automatisch die anliegende Spannung erkennt, sobald der Netzstecker in die Schukosteckdose gesteckt wird, und kann mit einer Eingangsspannung von 100~240 V AC, 50/60 Hz arbeiten.



**Um unnötigen Verschleiß zu vermeiden und die Lebensdauer des Geräts zu verlängern, trennen Sie während längerer Perioden des Nichtgebrauchs das Gerät vom Stromnetz – entweder per Trennschalter oder durch Herausziehen des Steckers aus der Steckdose.**

## Serienschaltung der Geräte

Informationen zur maximalen Anzahl der Intimidator Spot 475Z IRC-Geräte, die bei 120 V oder 240 V in Serie geschaltet werden können, finden Sie in der Bedienungsanleitung oder auf dem Typenschild am Gerät.

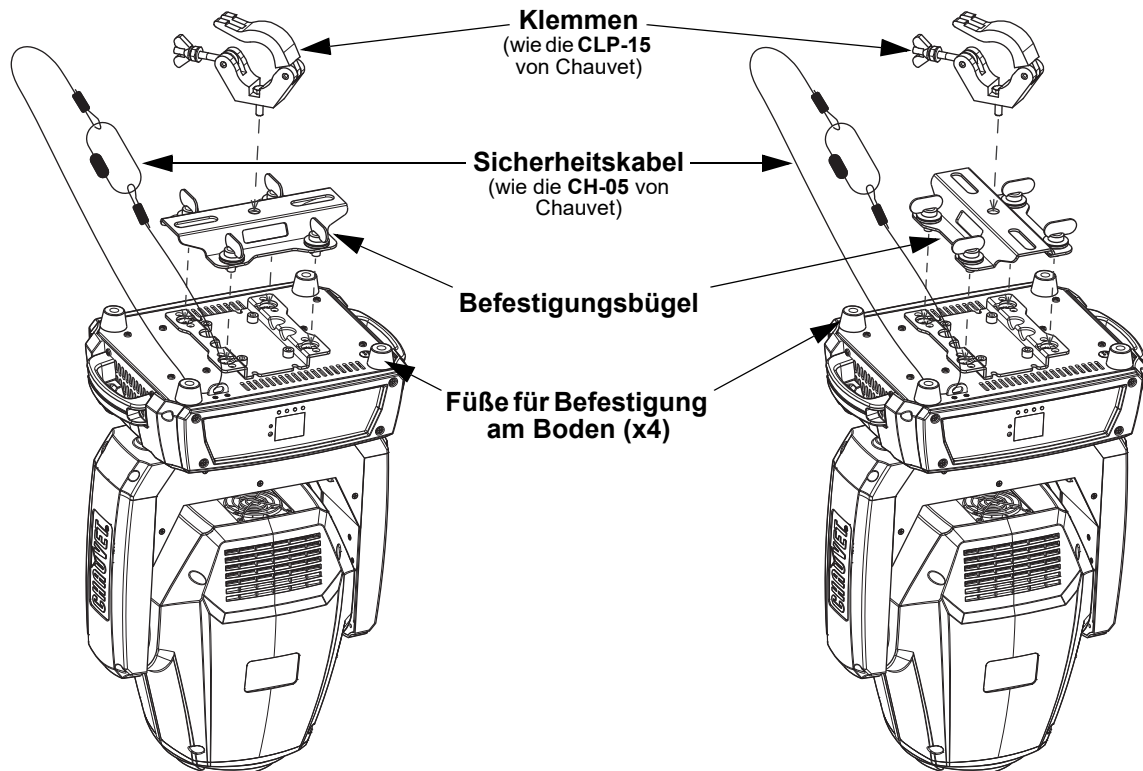
## Auswechseln der Sicherung

1. Trennen Sie das Gerät vom Stromnetz.
2. Mithilfe eines Flachkopfschraubendrehers lockern Sie den Sicherungshalter und ziehen ihn gerade heraus.
3. Entfernen Sie die durchgebrannte Sicherung von der Klemme, und ersetzen Sie diese durch eine Sicherung des gleichen Typs und mit den gleichen Werten.
4. Stecken Sie den Sicherungshalter wieder zurück, und schließen Sie das Gerät an das Stromnetz an.

## Montage

Lesen Sie vor der Montage dieses Geräts in jedem Fall die [Sicherheitshinweise](#).

### Montageansicht



## Beschreibung des Bedienfeldes

Taste	Funktion
<MENU>	Wählt einen Betriebsmodus oder verlässt die aktuelle Menüoption
<UP>	Damit navigieren Sie durch die Menüpunkte nach oben und erhöhen den numerischen Wert der entsprechenden Funktionen
<DOWN>	Damit navigieren Sie durch die Menüpunkte nach unten und verringern den numerischen Wert der entsprechenden Funktionen
<ENTER>	Aktiviert eine Menüoption oder einen ausgewählten Wert

**Menükarte**

Hauptebene	Programmirebenen		Beschreibung	
<b>Address</b>	<b>001–512</b>		Stellt die DMX-Startadresse ein	
<b>Run Mode</b>	<b>DMX</b>	<b>16CH</b>	Wählt den DMX-Modus aus	
		<b>10CH</b>		
	<b>Slave</b>	<b>Slave1–4</b>	Wählt den Slave-Modus 1, 2, 3 oder 4 aus	
	<b>Auto</b>		Wählt den Auto-Modus aus	
	<b>Sound</b>		Wählt den Musiksteuerungs-Modus aus	
	<b>IR</b>		Wählt eine Infrarot-Steuerung	
	<b>Manual</b>	<b>Pan</b>	<b>000–255</b>	Manuelle Schwenksteuerung
		<b>Tilt</b>		Manuelle Neigungssteuerung
		<b>Color</b>		Manuelle Farbsteuerung
		<b>Gobo</b>		Manuelle Rotierender Gobo-Steuerung
		<b>Gobo Rotate</b>		Manuelle Gobo Rotation-Steuerung
		<b>Gobo2</b>		Manuelle Statischer Gobo-Steuerung
		<b>Prism</b>		Manuelle Steuerung des Prisma
		<b>Focus</b>		Manuelle Steuerung des Fokus
		<b>Zoom</b>		Manuelle Zoomsteuerung
<b>Dimmer</b>		Manuelle Dimmersteuerung		
<b>Shutter</b>	Manuelle Shuttersteuerung			
<b>Setup</b>	<b>Pan Reverse</b>		<b>OFF</b>	Normaler Schwenk-Modus
			<b>ON</b>	Umgekehrter Schwenk-Modus
	<b>Tilt Reverse</b>		<b>OFF</b>	Normaler Neigungs-Modus
			<b>ON</b>	Umgekehrter Neigungs-Modus
	<b>Screen Reverse</b>		<b>OFF</b>	Normale Anzeige
			<b>ON</b>	Umgekehrte Anzeige
	<b>Pan Angle</b>		<b>540</b>	Wählt den 540°-Schwenkwinkelbereich aus
			<b>360</b>	Wählt den 360°-Schwenkwinkelbereich aus
			<b>180</b>	Wählt den 180°-Schwenkwinkelbereich aus
	<b>Tilt Angle</b>		<b>270</b>	Wählt den 270°-Neigungswinkelbereich aus
			<b>180</b>	Wählt den 180°-Neigungswinkelbereich aus
			<b>90</b>	Wählt den 90°-Neigungswinkelbereich aus
	<b>Totem Mode</b>		<b>OFF</b>	Schränkt die Schwenkungs- und Neigungsbewegung nicht ein
			<b>UP</b>	Schränkt die Schwenkungs- und Neigungsbewegung bei einer Montage über Kopf ein
			<b>DOWN</b>	Schränkt die Schwenkungs- und Neigungsbewegung bei einer Bodenmontage ein
	<b>Sensitivity</b>		<b>001–100</b>	Musikempfindlichkeitssteuerung
	<b>Indicator</b>		<b>ON</b>	Aktiviert/deaktiviert die LED-Anzeige
			<b>OFF</b>	
<b>Flash if DMX</b>		<b>ON</b>	Aktiviert/deaktiviert Blink wenn DMX	
		<b>OFF</b>		
<b>Reset</b>			Setzt das Gerät zurück	
<b>Factory Set</b>			Lädt Werkseinstellung	
<b>Sys Info</b>	<b>Ver:</b>	<b>V_</b>	Zeigt die Firmware-Version an	
	<b>Running Mode</b>	<b>-----</b>	Zeigt den aktuellen Betriebsmodus an	
	<b>DMX Address</b>	<b>---</b>	Zeigt die aktuelle DMX-Adresse an	
	<b>Temperature</b>	<b>---</b>	Zeigt die aktuelle Produkttemperatur an	

## DMX-Verbindung

Der Intimidator Spot 475Z kann mit einem DMX-Controller betrieben werden. Anweisungen zum Zusammenschluss und der Konfiguration dieses Geräts für den Betrieb im DMX-Modus finden Sie im Benutzerhandbuch. Wenn Sie mit DMX nicht vertraut sind, laden Sie "DMX - Eine Einführung" unter [www.chauvetdj.com](http://www.chauvetdj.com) herunter.

### Startadresse

Um einen vollständigen Zugang zu allen Kanälen in jedem DMX-Modus zu gewährleisten, beträgt die höchste empfohlene DMX-Adresse **497**.

### Master/Slave-Schaltung

Der Intimidator Spot 475Z verwendet für seinen Master/Slave-Modus eine DMX-Datenverbindung. Anweisungen zum Zusammenschluss und der Konfiguration dieses Geräts für den Betrieb im Master/Slave-Modus finden Sie im Benutzerhandbuch.

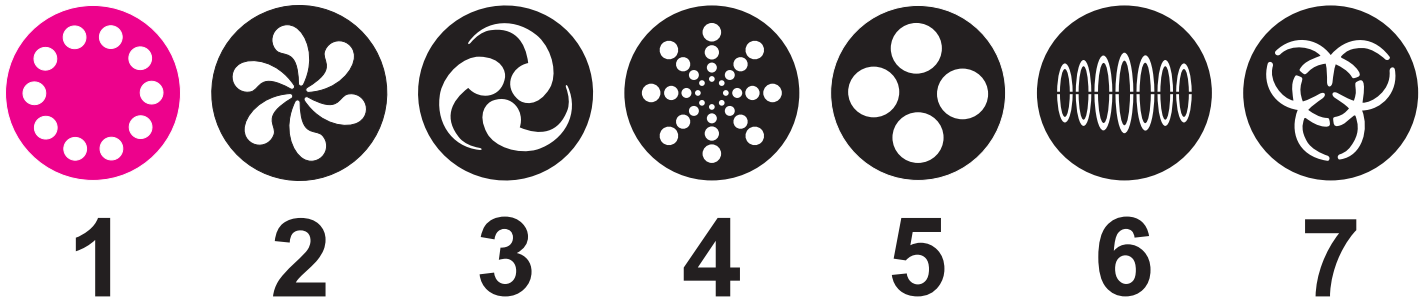
### IRC-6 (Infrarot-Fernbedienung)

Der Intimidator Spot 475Z ist vollständig kompatibel mit der Infrarot-Fernbedienung (IRC-6) von CHAUVET DJ. Weitere Informationen zur IRC-6 oder herunterladbare Anweisungen finden Sie unter [www.chauvetdj.com](http://www.chauvetdj.com).

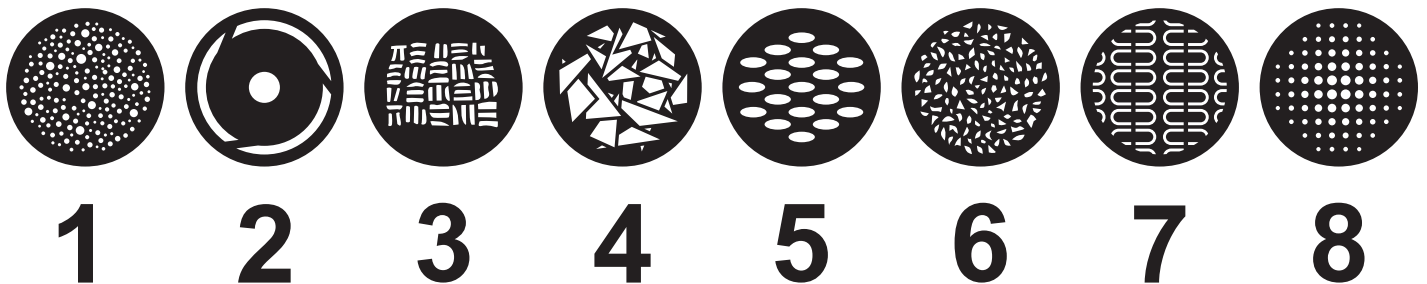
## DMX-Werte

### Gobos

#### Gobo - Rotierender-Goborad



#### Gobo2 - Statischer-Goborad





**16CH**

Kanal	Funktion	Wert	Prozent/Einstellung
1	Schwenkung	000 ⇔ 255	0 bis 540°
2	Schwenkung fein	000 ⇔ 255	Feinkontrolle der Schwenkung
3	Neigung	000 ⇔ 255	0 bis 270°
4	Neigung fein	000 ⇔ 255	Feinkontrolle der Neigung
5	Geschwindigkeit	000 ⇔ 255	Geschwindigkeit der Schwenkungs- und Neigungsbewegung, schnell bis langsam
6	Farbrad	000 ⇔ 007	Weiß
		008 ⇔ 015	Orange
		016 ⇔ 023	Neongrün
		024 ⇔ 031	Cyan
		032 ⇔ 039	Rot
		040 ⇔ 047	Grün
		048 ⇔ 055	Magenta
		056 ⇔ 063	Gelb
		064	Weiß
		065 ⇔ 189	Farbindizierung
		190 ⇔ 221	Regenbogenfarben kreiseln, schnell bis langsam
		222 ⇔ 223	Anhalten
		224 ⇔ 255	Regenbogenfarben kreiseln umgekehrt, langsam bis schnell
7	Rotierender-Goborad (Gobo) (siehe <a href="#">Gobos</a> )	000 ⇔ 007	Offen
		008 ⇔ 015	Gobo 1
		016 ⇔ 023	Gobo 2
		024 ⇔ 031	Gobo 3
		032 ⇔ 039	Gobo 4
		040 ⇔ 047	Gobo 5
		048 ⇔ 055	Gobo 6
		056 ⇔ 063	Gobo 7
		064 ⇔ 071	Gobo 7 Shake, langsam bis schnell
		072 ⇔ 079	Gobo 6 Shake, langsam bis schnell
		080 ⇔ 087	Gobo 5 Shake, langsam bis schnell
		088 ⇔ 095	Gobo 4 Shake, langsam bis schnell
		096 ⇔ 103	Gobo 3 Shake, langsam bis schnell
		104 ⇔ 111	Gobo 2 Shake, langsam bis schnell
		112 ⇔ 119	Gobo 1 Shake, langsam bis schnell
		120 ⇔ 127	Offen
		128 ⇔ 191	Kreiseffekt, langsam bis schnell
		192 ⇔ 255	Kreiseffekt in umgekehrter Richtung, langsam bis schnell
		8	Gobo Rotation
064 ⇔ 147	Rotationseffekt, langsam bis schnell		
148 ⇔ 231	Umgekehrter Rotationseffekt, langsam bis schnell		
232 ⇔ 255	Gobo Bounce-Effekt, kurz bis lange		

Kanal	Funktion	Wert	Prozent/Einstellung
9	Statischer-Goborad (Gobo2) (siehe <a href="#">Gobos</a> )	000 ⇔ 006	Offen
		007 ⇔ 013	Gobo 1
		014 ⇔ 020	Gobo 2
		021 ⇔ 027	Gobo 3
		028 ⇔ 034	Gobo 4
		035 ⇔ 041	Gobo 5
		042 ⇔ 048	Gobo 6
		049 ⇔ 055	Gobo 7
		056 ⇔ 063	Gobo 8
		064 ⇔ 071	Gobo 8 Shake, langsam bis schnell
		072 ⇔ 078	Gobo 7 Shake, langsam bis schnell
		079 ⇔ 085	Gobo 6 Shake, langsam bis schnell
		086 ⇔ 092	Gobo 5 Shake, langsam bis schnell
		093 ⇔ 099	Gobo 4 Shake, langsam bis schnell
		100 ⇔ 106	Gobo 3 Shake, langsam bis schnell
		107 ⇔ 113	Gobo 2 Shake, langsam bis schnell
		114 ⇔ 120	Gobo 1 Shake, langsam bis schnell
		121 ⇔ 127	Offen
128 ⇔ 191	Kreiseffekt in umgekehrter Richtung, langsam bis schnell		
192 ⇔ 255	Kreiseffekt, langsam bis schnell		
10	Prisma	000 ⇔ 003	Keine Funktion
		004 ⇔ 006	Prisma 1 (runde)
		007 ⇔ 065	Rotationseffekt, schnell bis langsam
		066 ⇔ 123	Umgekehrter Rotationseffekt, langsam bis schnell
		124 ⇔ 127	Prisma 1 (runde)
		128 ⇔ 131	Keine Funktion
		132 ⇔ 134	Prisma 2 (lineare)
		135 ⇔ 193	Rotationseffekt, schnell bis langsam
		194 ⇔ 251	Umgekehrter Rotationseffekt, langsam bis schnell
252 ⇔ 255	Prisma 2 (lineare)		
11	Fokus	000 ⇔ 255	0–100%
12	Zoom	000 ⇔ 255	Breit bis schmal
13	Dimmer	000 ⇔ 255	0–100%
14	Shutter	000 ⇔ 003	Aus
		004 ⇔ 007	Ein
		008 ⇔ 076	Strobe-Effekt, von langsam nach schnell
		077 ⇔ 145	Pulse-Strobe, langsam nach schnell
		146 ⇔ 215	Zufalls-Strobe, langsam nach schnell
216 ⇔ 255	Ein		

Kanal	Funktion	Wert	Prozent/Einstellung
15	Steuerung	000 ⇔ 007	Keine Funktion
		008 ⇔ 015	Verdunkelung bei Schwenkungs-/Neigungsbewegung
		016 ⇔ 023	Verdunkelung bei Farbradbewegung
		024 ⇔ 031	Verdunkelung bei Gaborads-Bewegung
		032 ⇔ 039	Verdunkelung bei Schwenkungs-/Neigungs-/Farbradbewegung
		040 ⇔ 047	Verdunkelung bei Schwenkungs-/Neigungs-/Gaborads-Bewegung
		048 ⇔ 055	Verdunkelung bei Schwenkungs-/Neigungs-/Farbrad-/Gaborads-Bewegung
		056 ⇔ 095	Keine Funktion
		096 ⇔ 103	Schwenkung zurücksetzen
		104 ⇔ 111	Neigung zurücksetzen
		112 ⇔ 119	Farbrad zurücksetzen
		120 ⇔ 127	Gaborads zurücksetzen
		128 ⇔ 135	Keine Funktion
		136 ⇔ 143	Prisma zurücksetzen
		144 ⇔ 151	Keine Funktion
		152 ⇔ 159	Alle zurücksetzen
160 ⇔ 255	Keine Funktion		
16	Bewegung-Makros	000 ⇔ 007	Keine Funktion
		008 ⇔ 023	Bewegung-Makro 1
		024 ⇔ 039	Bewegung-Makro 2
		040 ⇔ 055	Bewegung-Makro 3
		056 ⇔ 071	Bewegung-Makro 4
		072 ⇔ 087	Bewegung-Makro 5
		088 ⇔ 103	Bewegung-Makro 6
		104 ⇔ 119	Bewegung-Makro 7
		120 ⇔ 135	Bewegung-Makro 8
		136 ⇔ 151	Musikgesteuerte Bewegung-Makro 1
		152 ⇔ 167	Musikgesteuerte Bewegung-Makro 2
		168 ⇔ 183	Musikgesteuerte Bewegung-Makro 3
		184 ⇔ 199	Musikgesteuerte Bewegung-Makro 4
		200 ⇔ 215	Musikgesteuerte Bewegung-Makro 5
		216 ⇔ 231	Musikgesteuerte Bewegung-Makro 6
		232 ⇔ 247	Musikgesteuerte Bewegung-Makro 7
248 ⇔ 255	Musikgesteuerte Bewegung-Makro 8		

DE

10CH

Kanal	Funktion	Wert	Prozent/Einstellung
1	Schwenkung	000 ⇔ 255	0 bis 540°
2	Neigung	000 ⇔ 255	0 bis 270°
3	Farbrad	000 ⇔ 007	Weiß
		008 ⇔ 015	Orange
		016 ⇔ 023	Neongrün
		024 ⇔ 031	Cyan
		032 ⇔ 039	Rot
		040 ⇔ 047	Grün
		048 ⇔ 055	Magenta
		056 ⇔ 063	Gelb
		064	Weiß
		065 ⇔ 189	Farbindizierung
		190 ⇔ 221	Regenbogenfarben kreiseln, schnell bis langsam
		222 ⇔ 223	Anhalten
		224 ⇔ 255	Regenbogenfarben kreiseln umgekehrt, langsam bis schnell
		4	Rotierender-Goborad (Gobo) (siehe <a href="#">Gobos</a> )
008 ⇔ 015	Gobo 1		
016 ⇔ 023	Gobo 2		
024 ⇔ 031	Gobo 3		
032 ⇔ 039	Gobo 4		
040 ⇔ 047	Gobo 5		
048 ⇔ 055	Gobo 6		
056 ⇔ 063	Gobo 7		
064 ⇔ 071	Gobo 7 Shake, langsam bis schnell		
072 ⇔ 079	Gobo 6 Shake, langsam bis schnell		
080 ⇔ 087	Gobo 5 Shake, langsam bis schnell		
088 ⇔ 095	Gobo 4 Shake, langsam bis schnell		
096 ⇔ 103	Gobo 3 Shake, langsam bis schnell		
104 ⇔ 111	Gobo 2 Shake, langsam bis schnell		
112 ⇔ 119	Gobo 1 Shake, langsam bis schnell		
120 ⇔ 127	Offen		
128 ⇔ 191	Kreiseffekt, langsam bis schnell		
192 ⇔ 255	Kreiseffekt in umgekehrter Richtung, langsam bis schnell		
5	Gobo Rotation	000 ⇔ 063	Gobo-Indizierung
		064 ⇔ 147	Rotationseffekt, langsam bis schnell
		148 ⇔ 231	Umgekehrter Rotationseffekt, langsam bis schnell
		232 ⇔ 255	Gobo Bounce-Effekt, kurz bis lange

Kanal	Funktion	Wert	Prozent/Einstellung
6	<b>Statischer-Goborad (Gobo2)</b> (siehe <a href="#">Gobos</a> )	000 ⇔ 006	Offen
		007 ⇔ 013	Gobo 1
		014 ⇔ 020	Gobo 2
		021 ⇔ 027	Gobo 3
		028 ⇔ 034	Gobo 4
		035 ⇔ 041	Gobo 5
		042 ⇔ 048	Gobo 6
		049 ⇔ 055	Gobo 7
		056 ⇔ 063	Gobo 8
		064 ⇔ 071	Gobo 8 Shake, langsam bis schnell
		072 ⇔ 078	Gobo 7 Shake, langsam bis schnell
		079 ⇔ 085	Gobo 6 Shake, langsam bis schnell
		086 ⇔ 092	Gobo 5 Shake, langsam bis schnell
		093 ⇔ 099	Gobo 4 Shake, langsam bis schnell
		100 ⇔ 106	Gobo 3 Shake, langsam bis schnell
		107 ⇔ 113	Gobo 2 Shake, langsam bis schnell
		114 ⇔ 120	Gobo 1 Shake, langsam bis schnell
		121 ⇔ 127	Offen
128 ⇔ 191	Kreiseffekt in umgekehrter Richtung, langsam bis schnell		
192 ⇔ 255	Kreiseffekt, langsam bis schnell		
7	<b>Prisma</b>	000 ⇔ 003	Keine Funktion
		004 ⇔ 006	Prisma 1 (runde)
		007 ⇔ 065	Rotationseffekt, schnell bis langsam
		066 ⇔ 123	Umgekehrter Rotationseffekt, langsam bis schnell
		124 ⇔ 127	Prisma 1 (runde)
		128 ⇔ 131	Keine Funktion
		132 ⇔ 134	Prisma 2 (lineare)
		135 ⇔ 193	Rotationseffekt, schnell bis langsam
		194 ⇔ 251	Umgekehrter Rotationseffekt, langsam bis schnell
		252 ⇔ 255	Prisma 2 (lineare)
8	<b>Fokus</b>	000 ⇔ 255	0–100%
9	<b>Zoom</b>	000 ⇔ 255	Breit bis schmal
10	<b>Shutter</b>	000 ⇔ 003	Aus
		004 ⇔ 007	Ein
		008 ⇔ 076	Strobe-Effekt, von langsam nach schnell
		077 ⇔ 145	Pulse-Strobe, langsam nach schnell
		146 ⇔ 215	Zufalls-Strobe, langsam nach schnell
		216 ⇔ 255	Ein

## Informazioni sulla Guida

La Guida Rapida Intimidator Spot 475Z contiene informazioni di base sul prodotto quali montaggio, opzioni menù e valori DMX. Per maggiori dettagli, scaricare il Manuale Utente dal sito [www.chauvetdj.com](http://www.chauvetdj.com).

### Esclusione di responsabilità

Le informazioni e le specifiche contenute in questa guida possono essere modificate senza preavviso.

### GARANZIA LIMITATA

**PER LA REGISTRAZIONE DELLA GARANZIA ED I TERMINI E CONDIZIONI COMPLETI VISITARE IL NOSTRO SITO WEB.**

**Per clienti di Stati Uniti e Messico consultare:** [www.chauvetlighting.com/warranty-registration](http://www.chauvetlighting.com/warranty-registration).

**Per clienti di Regno Unito, Repubblica di Irlanda, Belgio, Paesi Bassi, Lussemburgo, Francia e Germania:**

[www.chauvetlighting.eu/warranty-registration](http://www.chauvetlighting.eu/warranty-registration).

Chauvet garantisce che i propri prodotti, in condizioni di utilizzo normale, sono esenti da difetti di materiali e manodopera, per il periodo specificato e con le esclusioni e limitazioni riportate nella garanzia integrale limitata sul proprio sito Web. Tale garanzia si applica soltanto all'acquirente originario del prodotto e non può essere trasferita. Per esercitare i propri diritti secondo i termini della presente garanzia è necessario fornire prova dell'acquisto sotto forma di ricevuta o fattura originale di un distributore autorizzato che riporti chiaramente il nome del prodotto e la data di acquisto. **NON SONO PREVISTE ALTRE GARANZIE ESPRESSE O IMPLICITE.** Questa garanzia prevede diritti legali specifici. È comunque possibile avere altri diritti che variano da stato a stato e da paese a paese. Questa garanzia si applica soltanto negli Stati Uniti, Regno Unito, Repubblica di Irlanda, Belgio, Paesi Bassi, Lussemburgo, Francia, Germania e Messico. Per i termini di garanzia vigenti in altri paesi si prega di consultare il distributore locale.

### Note di Sicurezza

Le Note di Sicurezza includono informazioni importanti circa il montaggio, l'uso e la manutenzione.



- Collegare questa unità **SOLTANTO** ad un circuito dotato di messa a terra e protetto.
- Prima di effettuare la pulizia o sostituire il fusibile, scollegare sempre l'unità dall'alimentazione elettrica.
- **NON** guardare la sorgente luminosa quando l'unità è in funzione.
- Assicurarsi che il cavo di alimentazione non sia piegato o danneggiato.
- Non scollegare mai questa apparecchiatura dall'alimentazione elettrica tirando il cavo.
- Per il montaggio in alto dell'unità utilizzare **SEMPRE** un cavo di sicurezza.
- **NON** collocare materiale infiammabile vicino all'unità mentre è in funzione.
- **NON** toccare l'unità durante il funzionamento perché potrebbe essere molto calda.
- La tensione della presa a muro cui si collega l'apparecchiatura deve trovarsi entro il campo specificato sull'etichetta o sul pannello posteriore.
- Questa apparecchiatura deve essere utilizzata soltanto in interni (IP20)! Per evitare il rischio di incendio o di folgorazione non esporre l'apparecchiatura alla pioggia o all'umidità.
- Montare sempre l'unità in posizione ben ventilata, ad almeno 50 cm. (20") da qualsiasi superficie.
- Assicurarsi che nessuna apertura di ventilazione dell'unità sia ostruita.
- Non collegare mai ad un dimmer o ad un reostato.
- Sostituire il fusibile con un altro dello stesso tipo e classe.
- Prendere e trasportare l'unità **SOLTANTO** dalla staffa per il montaggio sospeso o dalle maniglie.
- Massima temperatura ambiente ammessa: 40 °C (104 °F). Non utilizzare l'unità a temperature superiori.
- In caso di gravi problemi di funzionamento sospendere immediatamente l'utilizzo.
- **NON** aprire l'unità. Non contiene parti riparabili dall'utente.
- Per evitare un consumo inutile ed aumentare la durata, durante i periodi di non utilizzo disconnettere completamente il prodotto dall'alimentazione con l'interruttore o scollegando il cavo.



### Contatti

Per richiedere assistenza o restituire l'apparecchiatura, al di fuori di Stati Uniti, Regno Unito, Irlanda, Benelux, Francia, Germania, o Messico contattare il distributore locale. Per informazioni sui contatti, fare riferimento a [Contact Us](#) sul retro di questo GR.

### Che cosa è incluso

- Intimidator Spot 475Z
- Filtro CTO da 4000 K
- Cavo di alimentazione
- Staffa per montaggio
- Guida Rapida

### Per iniziare

Disimballare Intimidator Spot 475Z ed accertarsi di aver ricevuto tutti i componenti integri. Se l'imballo appare danneggiato, farlo immediatamente presente al trasportatore e non a Chauvet.

## Alimentazione CA

Questa unità è dotata di alimentatore a commutazione automatica con tensione in ingresso di 100–240 V CA, 50/60 Hz.



**Per evitarne l'eccessiva usura e migliorarne la durata nel tempo, scollegare l'unità dalla presa elettrica o disattivare l'alimentazione tramite l'apposito interruttore, se inutilizzata per lunghi periodi.**

## Collegamento

Per il numero massimo di unità collegabili in cascata a 120 V oppure a 240 V, fare riferimento al Manuale Utente o alla targhetta collocata sul prodotto.

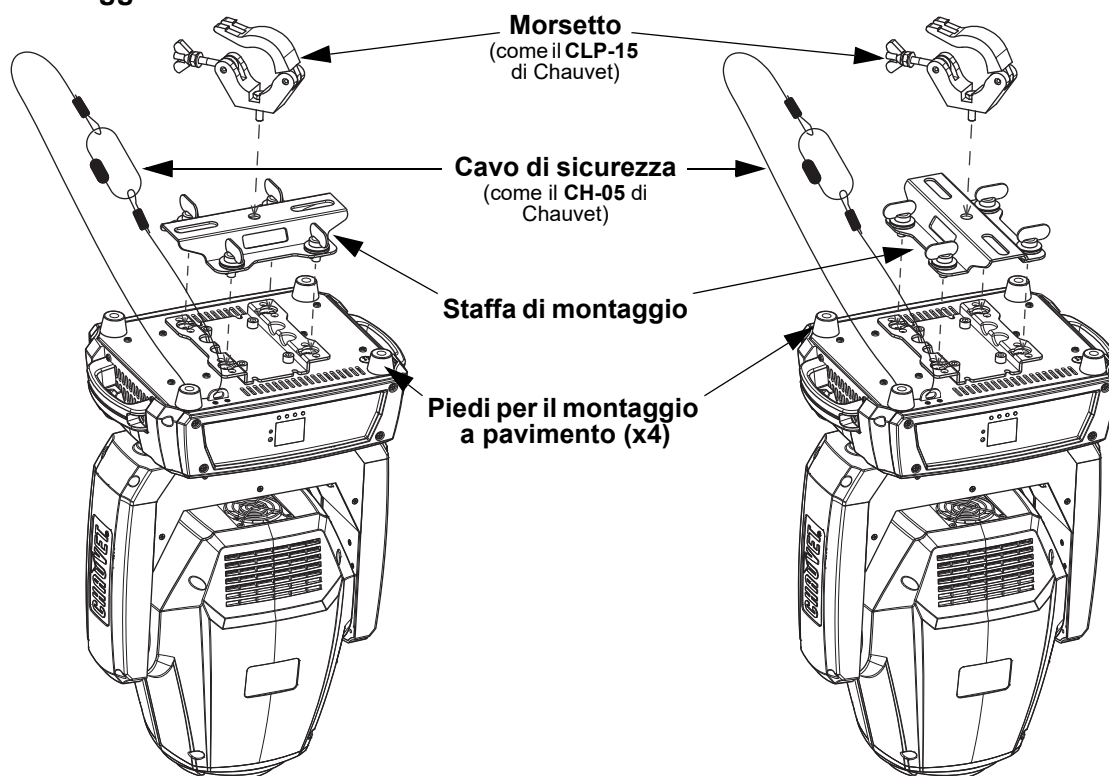
## Sostituzione fusibile

1. Scollegare l'alimentazione elettrica dall'unità.
2. Utilizzando un giravite a testa piatta, allentare il portafusibile e tirarlo verso l'esterno.
3. Rimuovere il fusibile bruciato e sostituirlo con uno identico.
4. Reinscrivere il portafusibile e ricollegare l'alimentazione elettrica.

## Montaggio

Prima di montare l'unità, leggere le [Note di Sicurezza](#).

### Schema di montaggio



## Descrizione del pannello di controllo

Pulsante	Funzione
<MENU>	Consente di uscire dal menù o dalla funzione corrente
<UP>	Consente di spostarsi verso l'alto nell'elenco menù e di aumentare il valore numerico all'interno di una funzione
<DOWN>	Consente di spostarsi verso il basso nell'elenco menù e di diminuire il valore numerico all'interno di una funzione
<ENTER>	Consente di attivare il menù visualizzato o impostare il valore selezionato nella funzione selezionata

## Mappa menu

Livello principale	Livelli di programmazione		Descrizione	
<b>Address</b>	<b>001–512</b>		Imposta l'indirizzo DMX iniziale	
<b>Run Mode</b>	<b>DMX</b>	<b>16CH</b>	Seleziona la modalità DMX	
		<b>10CH</b>		
	<b>Slave</b>	<b>Slave1–4</b>		Seleziona la modalità Slave 1, 2, 3 o 4
		<b>Auto</b>		Seleziona la modalità Automatica
	<b>Sound</b>		Seleziona la modalità Attivazione sonora	
	<b>IR</b>		Seleziona il controllo a infrarossi	
	<b>Manual</b>	<b>000–255</b>	<b>Pan</b>	Controllo manuale della rotazione
			<b>Tilt</b>	Controllo manuale della brandeggio
			<b>Color</b>	Controllo manuale della colore
			<b>Gobo</b>	Controllo manuale della gobo rotante
			<b>Gobo Rotate</b>	Controllo manuale della rotazione gobo
			<b>Gobo2</b>	Controllo manuale della gobo statico
			<b>Prism</b>	Controllo manuale della prisma
			<b>Focus</b>	Controllo manuale della fuoco
<b>Zoom</b>			Controllo manuale della zoom	
<b>Dimmer</b>			Controllo manuale della dimmer	
<b>Shutter</b>	Controllo manuale della otturatore			
<b>Setup</b>	<b>Pan Reverse</b>	<b>OFF</b>	Funzionamento in rotazione normale	
		<b>ON</b>	Funzionamento in rotazione inversa	
	<b>Tilt Reverse</b>	<b>OFF</b>	Funzionamento in brandeggio normale	
		<b>ON</b>	Funzionamento in brandeggio inverso	
	<b>Screen Reverse</b>	<b>OFF</b>	Visualizzazione normale	
		<b>ON</b>	Visualizzazione inversa	
	<b>Pan Angle</b>	<b>540</b>	Seleziona l'angolo di rotazione di 540°	
		<b>360</b>	Seleziona l'angolo di rotazione di 360°	
		<b>180</b>	Seleziona l'angolo di rotazione di 180°	
	<b>Tilt Angle</b>	<b>270</b>	Seleziona l'angolo di brandeggio di 270°	
		<b>180</b>	Seleziona l'angolo di brandeggio di 180°	
		<b>90</b>	Seleziona l'angolo di brandeggio di 90°	
	<b>Totem Mode</b>	<b>OFF</b>	Non limita il movimento di rotazione e brandeggio	
		<b>UP</b>	Limita il movimento di rotazione e brandeggio nel montaggio a soffitto	
		<b>DOWN</b>	Limita il movimento di rotazione e brandeggio nel montaggio su superficie/pavimento	
	<b>Sensitivity</b>	<b>001–100</b>	Controllo sensibilità sonora	
	<b>Indicator</b>	<b>ON</b>	Abilita/disabilita l'indicatore LED	
<b>OFF</b>				
<b>Flash if DMX</b>	<b>ON</b>	Abilita/disabilita lampeggia se DMX		
	<b>OFF</b>			
<b>Reset</b>		Reimposta l'unità		
<b>Factory Set</b>		Carica le impostazioni standard		
<b>Sys Info</b>	<b>Ver:</b>	<b>V_</b>	Visualizza la versione del firmware	
	<b>Running Mode</b>	<b>-----</b>	Visualizza la modalità di funzionamento corrente	
	<b>DMX Address</b>	<b>---</b>	Visualizza l'indirizzo DMX corrente	
	<b>Temperature</b>	<b>---</b>	Visualizza la temperatura del prodotto corrente	



### Collegamento DMX

Intimidator Spot 475Z può funzionare con un controller DMX. Le istruzioni per il collegamento e la configurazione di questa unità sono contenute nel Manuale Utente. Se non si ha familiarità con il DMX, scaricare DMX Primer all'indirizzo [www.chauvetdj.com](http://www.chauvetdj.com).

#### Indirizzo iniziale

Per assicurare il completo accesso a tutti i canali in ciascuna modalità DMX, l'indirizzo maggiormente raccomandato è **497**.

#### Collegamento Master/Slave

In modalità Master/Slave, Intimidator Spot 475Z utilizza il collegamento dati DMX. Le istruzioni per il collegamento e la configurazione di questa unità per il funzionamento Master/Slave sono contenute nel Manuale Utente.

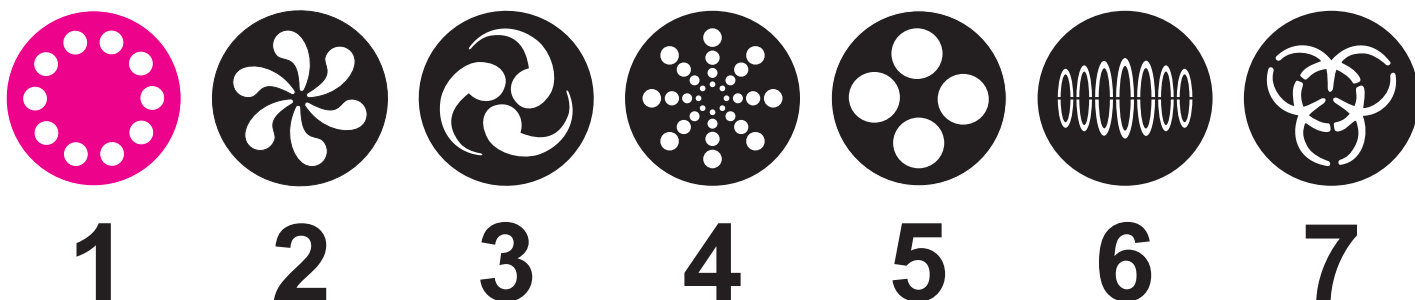
#### IRC-6 (Telecomando a infrarossi)

Intimidator Spot 475Z è totalmente compatibile con il Telecomando a infrarossi (IRC-6) di CHAUVET DJ. Per maggiori informazioni sul Telecomando a infrarossi, o per scaricarne le relative istruzioni, visitare il sito Web [www.chauvetdj.com](http://www.chauvetdj.com).

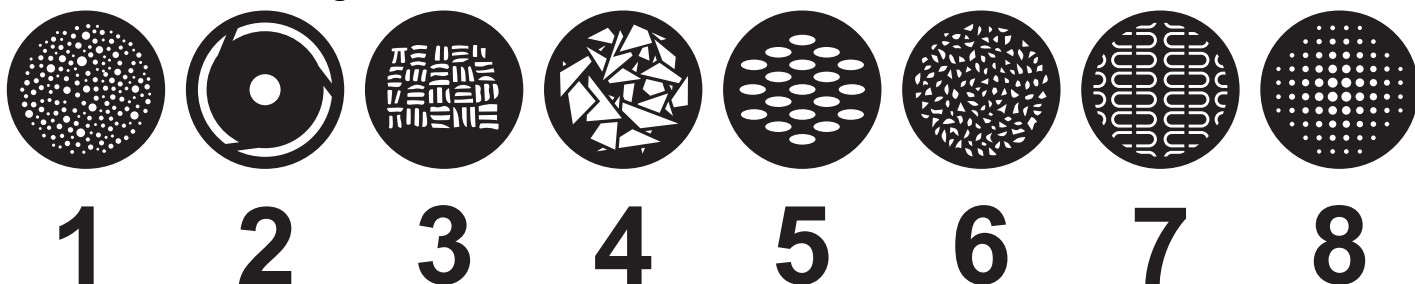
### Valori DMX

#### Gobos

##### Gobo - Ruota gobo rotante



##### Gobo2 - Ruota gobo statico



## 16CH

Canale	Funzione	Valore	Percentuale/Impostazione
1	Rotazione	000 ⇔ 255	Da 0 a 540°
2	Rotazione fine	000 ⇔ 255	Controllo fine della rotazione
3	Brandeggio	000 ⇔ 255	Da 0 a 270°
4	Brandeggio fine	000 ⇔ 255	Controllo fine del brandeggio
5	Velocità	000 ⇔ 255	Velocità rotazione/brandeggio (da rapida a lenta)
6	Ruota colore	000 ⇔ 007	Bianco
		008 ⇔ 015	Arancione
		016 ⇔ 023	Verde lime
		024 ⇔ 031	Ciano
		032 ⇔ 039	Rosso
		040 ⇔ 047	Verde
		048 ⇔ 055	Magenta
		056 ⇔ 063	Giallo
		064	Bianco
		065 ⇔ 189	Indicizzazione colori
		190 ⇔ 221	Arcobaleno ciclico, da veloce a lento
		222 ⇔ 223	Fermarsi
		224 ⇔ 255	Arcobaleno ciclico inverso, da lento a veloce
7	Ruota gobo rotante (Gobo) (vedere <a href="#">Gobos</a> )	000 ⇔ 007	Aperto
		008 ⇔ 015	Gobo 1
		016 ⇔ 023	Gobo 2
		024 ⇔ 031	Gobo 3
		032 ⇔ 039	Gobo 4
		040 ⇔ 047	Gobo 5
		048 ⇔ 055	Gobo 6
		056 ⇔ 063	Gobo 7
		064 ⇔ 071	Oscillazione gobo 7, da lenta a veloce
		072 ⇔ 079	Oscillazione gobo 6, da lenta a veloce
		080 ⇔ 087	Oscillazione gobo 5, da lenta a veloce
		088 ⇔ 095	Oscillazione gobo 4, da lenta a veloce
		096 ⇔ 103	Oscillazione gobo 3, da lenta a veloce
		104 ⇔ 111	Oscillazione gobo 2, da lenta a veloce
		112 ⇔ 119	Oscillazione gobo 1, da lenta a veloce
		120 ⇔ 127	Aperto
128 ⇔ 191	Effetto ciclico, da lenta a veloce		
192 ⇔ 255	Effetto ciclico inverso, da lenta a veloce		
8	Rotazione gobo	000 ⇔ 063	Indicizzazione gobo
		064 ⇔ 147	Rotazione gobo, da lento a veloce
		148 ⇔ 231	Rotazione gobo inversa, da lenta a veloce
		232 ⇔ 255	Rimbalzo gobo, da breve a lungo

Canale	Funzione	Valore	Percentuale/Impostazione
9	<b>Ruota gobo statico (Gobo2)</b> (vedere <a href="#">Gobos</a> )	<b>000 ⇄ 006</b>	Aperto
		<b>007 ⇄ 013</b>	Gobo 1
		<b>014 ⇄ 020</b>	Gobo 2
		<b>021 ⇄ 027</b>	Gobo 3
		<b>028 ⇄ 034</b>	Gobo 4
		<b>035 ⇄ 041</b>	Gobo 5
		<b>042 ⇄ 048</b>	Gobo 6
		<b>049 ⇄ 055</b>	Gobo 7
		<b>056 ⇄ 063</b>	Gobo 8
		<b>064 ⇄ 071</b>	Gobo 8 shake, slow to fast
		<b>072 ⇄ 078</b>	Oscillazione gobo 7, da lenta a veloce
		<b>079 ⇄ 085</b>	Oscillazione gobo 6, da lenta a veloce
		<b>086 ⇄ 092</b>	Oscillazione gobo 5, da lenta a veloce
		<b>093 ⇄ 099</b>	Oscillazione gobo 4, da lenta a veloce
		<b>100 ⇄ 106</b>	Oscillazione gobo 3, da lenta a veloce
		<b>107 ⇄ 113</b>	Oscillazione gobo 2, da lenta a veloce
		<b>114 ⇄ 120</b>	Oscillazione gobo 1, da lenta a veloce
		10	<b>Prisma</b>
<b>128 ⇄ 191</b>	Effetto ciclico inverso, da lenta a veloce		
<b>192 ⇄ 255</b>	Effetto ciclico, da lenta a veloce		
<b>000 ⇄ 003</b>	Nessuna funzione		
<b>004 ⇄ 006</b>	Prisma 1 (rotondo)		
<b>007 ⇄ 065</b>	Rotazione, da lento a veloce		
<b>066 ⇄ 123</b>	Rotazione inversa, da lenta a veloce		
<b>124 ⇄ 127</b>	Prisma 1 (rotondo)		
<b>128 ⇄ 131</b>	Nessuna funzione		
<b>132 ⇄ 134</b>	Prisma 2 (lineare)		
11	<b>Fuoco</b>	<b>135 ⇄ 193</b>	Rotazione, da lento a veloce
		<b>194 ⇄ 251</b>	Rotazione inversa, da lenta a veloce
		<b>252 ⇄ 255</b>	Prisma 2 (lineare)
12	<b>Zoom</b>	<b>000 ⇄ 255</b>	0–100%
13	<b>Dimmer</b>	<b>000 ⇄ 255</b>	0–100%
14	<b>Otturatore</b>	<b>000 ⇄ 003</b>	Spento
		<b>004 ⇄ 007</b>	Acceso
		<b>008 ⇄ 076</b>	Stroboscopio, da lento a veloce
		<b>077 ⇄ 145</b>	Stroboscopio a impulso, da lento a veloce
		<b>146 ⇄ 215</b>	Stroboscopio casuale, da lento a veloce
		<b>216 ⇄ 255</b>	Acceso

Canale	Funzione	Valore	Percentuale/Impostazione
15	Controllo	000 ⇔ 007	Nessuna funzione
		008 ⇔ 015	Oscuramento su rotazione/brandeggio
		016 ⇔ 023	Oscuramento su movimento ruota colore
		024 ⇔ 031	Oscuramento su movimento ruote gobo
		032 ⇔ 039	Oscuramento su rotazione/brandeggio/movimento ruota colore
		040 ⇔ 047	Oscuramento su rotazione/brandeggio/movimento ruote gobo
		048 ⇔ 055	Oscuramento su rotazione/brandeggio/movimento ruota colore/ruote gobo
		056 ⇔ 095	Nessuna funzione
		096 ⇔ 103	Reimpostazione rotazione
		104 ⇔ 111	Reimpostazione brandeggio
		112 ⇔ 119	Reimpostazione ruota colore
		120 ⇔ 127	Reimpostazione ruote gobo
		128 ⇔ 135	Nessuna funzione
		136 ⇔ 143	Reimpostazione prisma
		144 ⇔ 151	Nessuna funzione
		152 ⇔ 159	Reimpostazione di tutti
		160 ⇔ 255	Nessuna funzione
		16	Macro di movimento
008 ⇔ 023	Macro di movimento 1		
024 ⇔ 039	Macro di movimento 2		
040 ⇔ 055	Macro di movimento 3		
056 ⇔ 071	Macro di movimento 4		
072 ⇔ 087	Macro di movimento 5		
088 ⇔ 103	Macro di movimento 6		
104 ⇔ 119	Macro di movimento 7		
120 ⇔ 135	Macro di movimento 8		
136 ⇔ 151	Macro movimento attivazione sonora 1		
152 ⇔ 167	Macro movimento attivazione sonora 2		
168 ⇔ 183	Macro movimento attivazione sonora 3		
184 ⇔ 199	Macro movimento attivazione sonora 4		
200 ⇔ 215	Macro movimento attivazione sonora 5		
216 ⇔ 231	Macro movimento attivazione sonora 6		
232 ⇔ 247	Macro movimento attivazione sonora 7		
248 ⇔ 255	Macro movimento attivazione sonora 8		

**10CH**

Canale	Funzione	Valore	Percentuale/Impostazione
1	Rotazione	000 ⇔ 255	Da 0 a 540°
2	Brandeggio	000 ⇔ 255	Da 0 a 270°
3	Ruota colore	000 ⇔ 007	Bianco
		008 ⇔ 015	Arancione
		016 ⇔ 023	Verde lime
		024 ⇔ 031	Ciano
		032 ⇔ 039	Rosso
		040 ⇔ 047	Verde
		048 ⇔ 055	Magenta
		056 ⇔ 063	Giallo
		064	Bianco
		065 ⇔ 189	Indicizzazione colori
		190 ⇔ 221	Arcobaleno ciclico, da veloce a lento
		222 ⇔ 223	Fermarsi
		224 ⇔ 255	Arcobaleno ciclico inverso, da lento a veloce
4	Ruota gobo rotante (Gobo) (vedere <a href="#">Gobos</a> )	000 ⇔ 007	Aperto
		008 ⇔ 015	Gobo 1
		016 ⇔ 023	Gobo 2
		024 ⇔ 031	Gobo 3
		032 ⇔ 039	Gobo 4
		040 ⇔ 047	Gobo 5
		048 ⇔ 055	Gobo 6
		056 ⇔ 063	Gobo 7
		064 ⇔ 071	Oscillazione gobo 7, da lenta a veloce
		072 ⇔ 079	Oscillazione gobo 6, da lenta a veloce
		080 ⇔ 087	Oscillazione gobo 5, da lenta a veloce
		088 ⇔ 095	Oscillazione gobo 4, da lenta a veloce
		096 ⇔ 103	Oscillazione gobo 3, da lenta a veloce
		104 ⇔ 111	Oscillazione gobo 2, da lenta a veloce
		112 ⇔ 119	Oscillazione gobo 1, da lenta a veloce
		120 ⇔ 127	Aperto
		128 ⇔ 191	Effetto ciclico, da lenta a veloce
		192 ⇔ 255	Effetto ciclico inverso, da lenta a veloce
5	Rotazione gobo	000 ⇔ 063	Indicizzazione gobo
		064 ⇔ 147	Rotazione gobo, da lento a veloce
		148 ⇔ 231	Rotazione gobo inversa, da lenta a veloce
		232 ⇔ 255	Rimbalzo gobo, da breve a lungo

Canale	Funzione	Valore	Percentuale/Impostazione
6	Ruota gobo statico (Gobo2) (vedere <a href="#">Gobos</a> )	000 ⇔ 006	Aperto
		007 ⇔ 013	Gobo 1
		014 ⇔ 020	Gobo 2
		021 ⇔ 027	Gobo 3
		028 ⇔ 034	Gobo 4
		035 ⇔ 041	Gobo 5
		042 ⇔ 048	Gobo 6
		049 ⇔ 055	Gobo 7
		056 ⇔ 063	Gobo 8
		064 ⇔ 071	Gobo 8 shake, slow to fast
		072 ⇔ 078	Oscillazione gobo 7, da lenta a veloce
		079 ⇔ 085	Oscillazione gobo 6, da lenta a veloce
		086 ⇔ 092	Oscillazione gobo 5, da lenta a veloce
		093 ⇔ 099	Oscillazione gobo 4, da lenta a veloce
		100 ⇔ 106	Oscillazione gobo 3, da lenta a veloce
		107 ⇔ 113	Oscillazione gobo 2, da lenta a veloce
		114 ⇔ 120	Oscillazione gobo 1, da lenta a veloce
		7	Prisma
128 ⇔ 191	Effetto ciclico inverso, da lenta a veloce		
192 ⇔ 255	Effetto ciclico, da lenta a veloce		
000 ⇔ 003	Nessuna funzione		
004 ⇔ 006	Prisma 1 (rotondo)		
007 ⇔ 065	Rotazione, da lento a veloce		
066 ⇔ 123	Rotazione inversa, da lenta a veloce		
124 ⇔ 127	Prisma 1 (rotondo)		
128 ⇔ 131	Nessuna funzione		
132 ⇔ 134	Prisma 2 (lineare)		
8	Fuoco	135 ⇔ 193	Rotazione, da lento a veloce
		194 ⇔ 251	Rotazione inversa, da lenta a veloce
9	Zoom	252 ⇔ 255	Prisma 2 (lineare)
		000 ⇔ 255	0–100%
10	Otturatore	000 ⇔ 255	Largo a stretto
		000 ⇔ 003	Spento
		004 ⇔ 007	Acceso
		008 ⇔ 076	Stroboscopio, da lento a veloce
		077 ⇔ 145	Stroboscopio a impulso, da lento a veloce
		146 ⇔ 215	Stroboscopio casuale, da lento a veloce
		216 ⇔ 255	Acceso

## Over deze handleiding

De Intimidator Spot 475Z Beknopte Handleiding (BH) bevat basisinformatie over het product, zoals montage, menu-opties en DMX-waarden. Download de gebruikershandleiding op [www.chauvetdj.com](http://www.chauvetdj.com) voor meer informatie.

### Disclaimer

De informatie en specificaties in deze BH kunnen zonder voorafgaande kennisgeving worden gewijzigd.

### BEPERKTE GARANTIE

**GA NAAR ONZE WEBSITE VOOR REGISTRATIE VAN DE GARANTIE EN DE VOLLEDIGE ALGEMENE VOORWAARDEN.**

Voor klanten in de Verenigde Staten en Mexico: [www.chauvetlighting.com/warranty-registration](http://www.chauvetlighting.com/warranty-registration).

Voor klanten in het Verenigd Koninkrijk, Ierland, België, Nederland, Luxemburg, Frankrijk en Duitsland: [www.chauvetlighting.eu/warranty-registration](http://www.chauvetlighting.eu/warranty-registration).

Chauvet garandeert dat dit product bij normaal gebruik vrij zal blijven van defecten in materiaal en vakmanschap, voor de opgegeven periode en onder voorbehoud van de uitzonderingen en beperkingen die zijn uiteengezet in de volledige beperkte garantie op onze website. Deze garantie geldt uitsluitend voor de oorspronkelijke koper van het product en is niet overdraagbaar. Om onder deze garantie rechten uit te oefenen, moet u een aankoopbewijs overleggen in de vorm van een origineel verkoopbewijs van een geautoriseerde dealer, waarop de naam van het product en de aankoopdatum zichtbaar zijn. ER ZIJN GEEN ANDERE EXPLICIETE OF IMPLICIETE GARANTIES. Deze garantie geeft u specifieke wettelijke rechten. Mogelijk heeft u ook andere rechten die van staat tot staat en van land tot land verschillen. Deze garantie is uitsluitend geldig in de Verenigde Staten, het Verenigd Koninkrijk, Ierland, België, Nederland, Luxemburg, Frankrijk, Duitsland en Mexico. Neem contact op met uw lokale verkoper voor garantievoorwaarden in andere landen.

### Veiligheidsinstructies

Deze veiligheidsinstructies bevatten belangrijke informatie over de installatie, het gebruik en het onderhoud.

- Sluit dit product UITSLUITEND op een geaard en beveiligd stroomcircuit.
- Haal voor het vervangen van de zekering altijd de stekker van het product uit het stopcontact.
- KIJK NIET in de lichtbron wanneer het apparaat is ingeschakeld.
- Zorg ervoor dat het stroomsnoer niet knikt of beschadigd.
- Koppel dit product nooit los van het stopcontact door aan het snoer te trekken.
- Gebruik een veiligheidskabel wanneer het product boven lichaamshoogte wordt gemonteerd.
- GEEN brandbare materialen in de buurt van de unit tijdens gebruik.
- RAAK het product NIET AAN wanneer het in werking omdat het dan heet zijn.
- De spanning van het stopcontact waarop u dit product aansluit moet binnen het vermelde bereik op de sticker of achterkant van het product zijn.
- Het product is alleen voor gebruik binnenshuis! (IP20) Om risico op brand of elektrische schokken te voorkomen, mag dit product niet aan regen of vocht worden blootgesteld.
- Monteer dit product altijd op een plek met voldoende ventilatie, minstens 20 inch (50 cm) van de aangrenzende oppervlakken.
- Zorg ervoor dat er geen ventilatie-openingen van de behuizing van het product worden geblokkeerd.
- Sluit dit product nooit aan op een dimmer of een regelweerstand.
- Vervang de zekering met een van hetzelfde type en met dezelfde waarde.
- Gebruik UITSLUITEND de ophang-/montagebeugel of de hendels om dit product te dragen.
- De maximale omgevingstemperatuur bedraagt 40 °C. Gebruik dit product niet bij hogere temperaturen.
- Stop in het geval van ernstige operationele problemen onmiddellijk met het gebruik.
- Open het product NIET. Het bevat geen te onderhouden onderdelen.
- Om onnodige slijtage te elimineren en zijn levensduur te verlengen, gedurende perioden wanneer het product niet wordt gebruikt, moet u het product afsluiten door een aardlekschakelaar om te zetten of door het te ontkoppelen.



Van buiten de VS, Verenigd Koninkrijk, Ierland, Benelux, Frankrijk, Duitsland of Mexico kunt u contact opnemen met de distributeur of om ondersteuning vragen dan wel het product retourneren. Raadpleeg [Contact Us](#) aan het einde van deze BH voor contactinformatie.

### Wat is inbegrepen

- Intimidator Spot 475Z
- Hangbeugel
- 4000 K CTO-filter
- Beknopte handleiding
- Stroomsnoer

### Om te beginnen

Pak uw Intimidator Spot 475Z uit en zorg ervoor dat u alle onderdelen in goede staat hebt ontvangen. Als de doos of inhoud beschadigd lijkt, stel dan de vervoerder onmiddellijk op de hoogte, niet Chauvet.

## AC-stroom

Dit product heeft een voeding met automatisch bereik die werkt met een ingangsspanning van 100–240 VAC, 50/60 Hz.



Om onnodige slijtage te elimineren en zijn levensduur te verlengen, gedurende perioden wanneer het product niet wordt gebruikt, moet u het product afsluiten door een aardlekschakelaar om te zetten of door het te ontkoppelen.

## Power Linking

Voor het maximale aantal Intimidator Spot 475Z-producten die via power link kunnen worden gekoppeld bij elke spanning, ziet u de gebruikershandleiding of de sticker op het product.

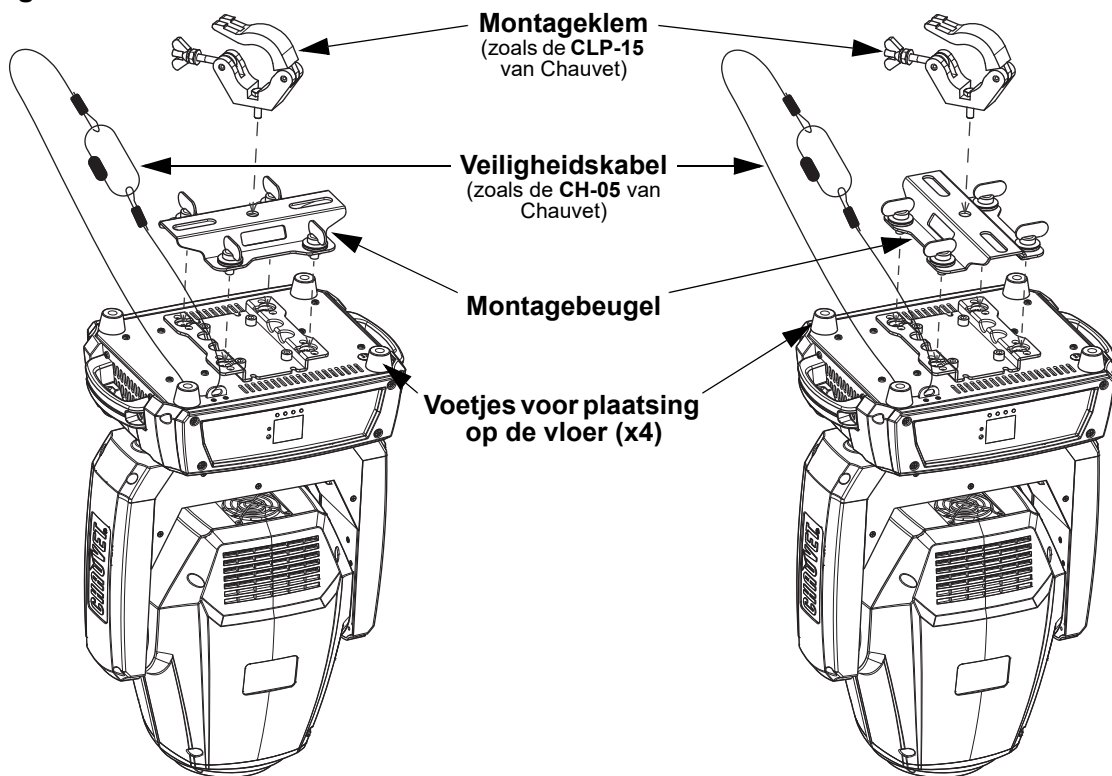
## Vervangen van de zekering

1. Ontkoppel het apparaat van de stroom.
2. Gebruik een schroevendraaier met platte kop, maak de zekeringhouder los en trek hem er recht uit.
3. Verwijder de doorgebrande zekering uit de houder en vervang deze door een zekering van exact hetzelfde type en vermogen.
4. Plaats de zekeringhouder terug en steek de stekker er weer in.

## Montage

Lees alvorens dit product te monteren alle [Veiligheidsinstructies](#).

### Montagediagram



## Beschrijving bedieningspaneel

Toets	Functie
<MENU>	Sluit het huidige menu of functie af
<UP>	Navigeert omhoog via het menu of verhoogt de numerieke waarde wanneer in een functie
<DOWN>	Navigeert omlaag via het menu of verlaagt de numerieke waarde wanneer in een functie
<ENTER>	Activeert het huidige getoonde menu of plaatst de huidige geselecteerde waarde in de geselecteerde functie



**Menukaart**

Hoofdniveau	Programmeerniveaus		Beschrijving	
<b>Address</b>	<b>001–512</b>		Selecteert de DMX-startadres in	
<b>Run Mode</b>	<b>DMX</b>	<b>16CH</b>	Selecteert de DMX-modus	
		<b>10CH</b>		
	<b>Slave</b>	<b>Slave1–4</b>	Selecteert de Slave-modus 1, 2, 3 of 4	
	<b>Auto</b>		Selecteert de automatische modus	
	<b>Sound</b>		Selecteert geluidsactieve modus	
	<b>IR</b>		Selecteert infrarode bediening	
	<b>Manual</b>	<b>Pan</b>	<b>000–255</b>	Handmatige zwenk-bediening
		<b>Tilt</b>		Handmatige kantel-bediening
		<b>Color</b>		Handmatige kleur-bediening
		<b>Gobo</b>		Handmatige roterende gobo-bediening
		<b>Gobo Rotate</b>		Handmatige gobo rotatie-bediening
		<b>Gobo2</b>		Handmatige statische gobo-bediening
		<b>Prism</b>		Handmatige prisma-bediening
		<b>Focus</b>		Handmatige focus-bediening
		<b>Zoom</b>		Handmatige zoom-bediening
<b>Dimmer</b>		Handmatige dimmer-bediening		
<b>Shutter</b>	Handmatige sluiters-bediening			
<b>Setup</b>	<b>Pan Reverse</b>	<b>OFF</b>	Normale zwenkbediening	
		<b>ON</b>	Omgekeerde zwenkbediening	
	<b>Tilt Reverse</b>	<b>OFF</b>	Normale kantelbediening	
		<b>ON</b>	Omgekeerde kantelbediening	
	<b>Screen Reverse</b>	<b>OFF</b>	Normale weergave	
		<b>ON</b>	Omgekeerde weergave	
	<b>Pan Angle</b>	<b>540</b>	Selecteert het 540° zwenkhoekbereik	
		<b>360</b>	Selecteert het 360° zwenkhoekbereik	
		<b>180</b>	Selecteert het 180° zwenkhoekbereik	
	<b>Tilt Angle</b>	<b>270</b>	Selecteert het 270° kantelhoekbereik	
		<b>180</b>	Selecteert het 180° kantelhoekbereik	
		<b>90</b>	Selecteert het 90° kantelhoekbereik	
	<b>Totem Mode</b>	<b>OFF</b>	Beperkt de zwenk- en kantelbeweging niet	
		<b>UP</b>	Beperkt de zwenk- en kantelbeweging voor montage boven het hoofd	
		<b>DOWN</b>	Beperkt de zwenk- en kantelbeweging voor montage op een oppervlak/de vloer	
	<b>Sensitivity</b>	<b>001–100</b>	Bediening van de geluidsgevoeligheid	
	<b>Indicator</b>	<b>ON</b>	Schakelt de LED-indicator in/uit	
		<b>OFF</b>		
<b>Flash if DMX</b>	<b>ON</b>	Schakelt “knippert wanneer DMX” in/uit		
	<b>OFF</b>			
<b>Reset</b>		Herstelt het product		
<b>Factory Set</b>		Laadt de fabrieksinstellingen		
<b>Sys Info</b>	<b>Ver:</b>	<b>V_</b>	Toont de firmwareversie	
	<b>Running Mode</b>	<b>-----</b>	Toont de huidige bedrijfsmodus	
	<b>DMX Address</b>	<b>---</b>	Toont het huidige DMX-adres	
	<b>Temperature</b>	<b>---</b>	Toont de huidige producttemperatuur	

## DMX-koppeling

De Intimidator Spot 475Z kan met een DMX-regelaar werken. Instructies voor het aansluiten en configureren van dit product voor DMX-bediening staan in de gebruikershandleiding. Als u niet bekend bent met DMX, download dan de DMX-primer op [www.chauvetdj.com](http://www.chauvetdj.com).

### Startadres

Om volledige toegang tot alle kanalen in elke DMX-modus te garanderen is het hoogste aanbevolen DMX-adres voor dit product **497**.

### Master/slave-verbinding

De Intimidator Spot 475Z maakt gebruik van de DMX-gegevensverbinding voor haar Master-/Slave-modus. Instructies voor het aansluiten en configureren van dit product voor DMX-bediening staan in de gebruikershandleiding.

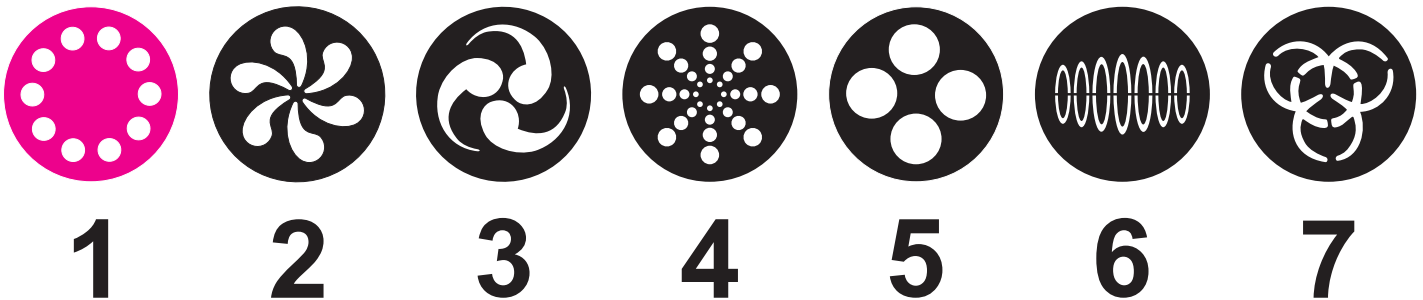
### IRC-6 Infrarood Remote Control

De Intimidator Spot 475Z is compatibel met de IRC-6 infrarood afstandsbediening van CHAUVET DJ Ga voor meer informatie over de IRC-6 of downloadinstructies naar [www.chauvetdj.com](http://www.chauvetdj.com).

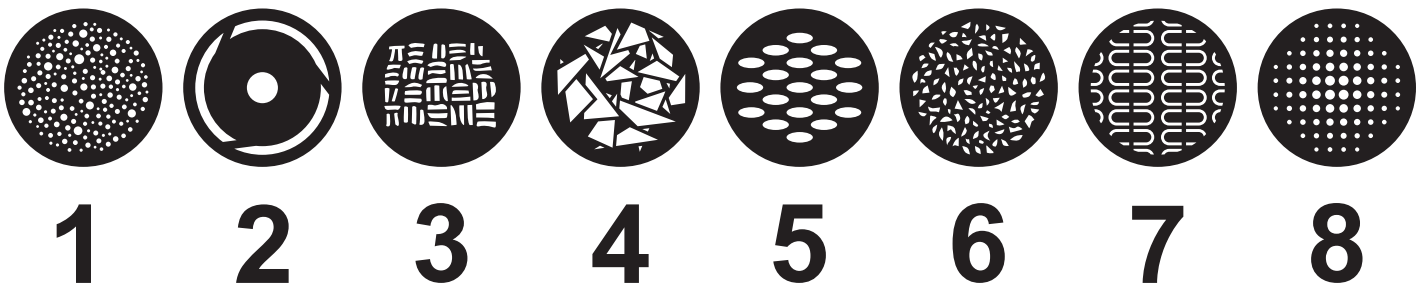
## DMX-waarden

### Gobos

#### Gobo - Roterende gobowiel



#### Gobo2 - Statische gobowiel



**16CH**

Kanaal	Functie	Waarde	Percentage/Instelling
1	Zwenken	000 ⇔ 255	0 tot 540°
2	Fijn zwenken	000 ⇔ 255	Fijne bediening van zwenken
3	Kantelen	000 ⇔ 255	0 tot 270°
4	Fijn kantelen	000 ⇔ 255	Fijne bediening van kantelen
5	Snelheid	000 ⇔ 255	Zwenk-/kantelsnelheid (snel tot langzaam)
6	Kleurenwiel	000 ⇔ 007	Wit
		008 ⇔ 015	Oranje
		016 ⇔ 023	Limoengroen
		024 ⇔ 031	Cyaan
		032 ⇔ 039	Rood
		040 ⇔ 047	Groen
		048 ⇔ 055	Magenta
		056 ⇔ 063	Geel
		064	Wit
		065 ⇔ 189	Kleur indexeren
		190 ⇔ 221	Kleur-cyclus regenboog, snel naar langzaam
		222 ⇔ 223	Stop
224 ⇔ 255	Kleur-cyclus regenboog omkeren, langzaam naar snel		
7	Roterende gobowiel (Gobo) (zie <a href="#">Gobos</a> )	000 ⇔ 007	Open
		008 ⇔ 015	Gobo 1
		016 ⇔ 023	Gobo 2
		024 ⇔ 031	Gobo 3
		032 ⇔ 039	Gobo 4
		040 ⇔ 047	Gobo 5
		048 ⇔ 055	Gobo 6
		056 ⇔ 063	Gobo 7
		064 ⇔ 071	Gobo 7 schudden, langzaam tot snel
		072 ⇔ 079	Gobo 6 schudden, langzaam tot snel
		080 ⇔ 087	Gobo 5 schudden, langzaam tot snel
		088 ⇔ 095	Gobo 4 schudden, langzaam tot snel
		096 ⇔ 103	Gobo 3 schudden, langzaam tot snel
		104 ⇔ 111	Gobo 2 schudden, langzaam tot snel
		112 ⇔ 119	Gobo 1 schudden, langzaam tot snel
		120 ⇔ 127	Open
		128 ⇔ 191	Cyclus-effect, langzaam tot snel
192 ⇔ 255	Cyclus-effect omkeren, langzaam tot snel		
8	Gobo rotatie	000 ⇔ 063	Gobo indexeren
		064 ⇔ 147	Gobo rotatie, langzaam tot snel
		148 ⇔ 231	Gobo rotatie omkeren, langzaam tot snel
		232 ⇔ 255	Gobo springen, kort tot lang

Kanaal	Functie	Waarde	Percentage/Instelling
9	Statische gobowiel (Gobo2) (zie <a href="#">Gobos</a> )	000 ⇔ 006	Open
		007 ⇔ 013	Gobo 1
		014 ⇔ 020	Gobo 2
		021 ⇔ 027	Gobo 3
		028 ⇔ 034	Gobo 4
		035 ⇔ 041	Gobo 5
		042 ⇔ 048	Gobo 6
		049 ⇔ 055	Gobo 7
		056 ⇔ 063	Gobo 8
		064 ⇔ 071	Gobo 8 schudden, langzaam tot snel
		072 ⇔ 078	Gobo 7 schudden, langzaam tot snel
		079 ⇔ 085	Gobo 6 schudden, langzaam tot snel
		086 ⇔ 092	Gobo 5 schudden, langzaam tot snel
		093 ⇔ 099	Gobo 4 schudden, langzaam tot snel
		100 ⇔ 106	Gobo 3 schudden, langzaam tot snel
		107 ⇔ 113	Gobo 2 schudden, langzaam tot snel
		114 ⇔ 120	Gobo 1 schudden, langzaam tot snel
		121 ⇔ 127	Open
128 ⇔ 191	Cyclus-effect omkeren, langzaam tot snel		
192 ⇔ 255	Cyclus-effect, langzaam tot snel		
10	Prisma	000 ⇔ 003	Geen functie
		004 ⇔ 006	Prisma 1 (rond)
		007 ⇔ 065	Rotatie, langzaam tot snel
		066 ⇔ 123	Rotatie omkeren, langzaam tot snel
		124 ⇔ 127	Prisma 1 (rond)
		128 ⇔ 131	Geen functie
		132 ⇔ 134	Prisma 2 (lineair)
		135 ⇔ 193	Rotatie, langzaam tot snel
		194 ⇔ 251	Rotatie omkeren, langzaam tot snel
252 ⇔ 255	Prisma 2 (lineair)		
11	Focus	000 ⇔ 255	0–100%
12	Zoom	000 ⇔ 255	Breed tot smal
13	Dimmer	000 ⇔ 255	0–100%
14	Sluiter	000 ⇔ 003	Uit
		004 ⇔ 007	Aan
		008 ⇔ 076	Flitsen, langzaam naar snel
		077 ⇔ 145	Impulse flitsen, langzaam naar snel
		146 ⇔ 215	Willekeurig flitsen, langzaam naar snel
		216 ⇔ 255	Aan

Kanaal	Functie	Waarde	Percentage/Instelling
15	Bediening	000 ⇔ 007	Geen functie
		008 ⇔ 015	Verduistering bij zwenk-/kantelbeweging
		016 ⇔ 023	Verduistering bij kleurenwielbeweging
		024 ⇔ 031	Verduistering bij gobowiel's-beweging
		032 ⇔ 039	Verduistering bij zwenk-/kantel-/kleurenwielbeweging
		040 ⇔ 047	Verduistering bij zwenk-/kantel-/gobowiel's-beweging
		048 ⇔ 055	Verduistering bij zwenk-/kantel-/kleurenwiel-/gobowiel's-beweging
		056 ⇔ 095	Geen functie
		096 ⇔ 103	Zwenken herstellen
		104 ⇔ 111	Kantelen herstellen
		112 ⇔ 119	Kleurenwiel herstellen
		120 ⇔ 127	Gobowiel's herstellen
		128 ⇔ 135	Geen functie
		136 ⇔ 143	Prisma herstellen
		144 ⇔ 151	Geen functie
		152 ⇔ 159	Alle herstellen
		160 ⇔ 255	Geen functie
16	Bewegingsmacro's	000 ⇔ 007	Geen functie
		008 ⇔ 023	Bewegingsmacro 1
		024 ⇔ 039	Bewegingsmacro 2
		040 ⇔ 055	Bewegingsmacro 3
		056 ⇔ 071	Bewegingsmacro 4
		072 ⇔ 087	Bewegingsmacro 5
		088 ⇔ 103	Bewegingsmacro 6
		104 ⇔ 119	Bewegingsmacro 7
		120 ⇔ 135	Bewegingsmacro 8
		136 ⇔ 151	Geluidsactieve bewegingsmacro 1
		152 ⇔ 167	Geluidsactieve bewegingsmacro 2
		168 ⇔ 183	Geluidsactieve bewegingsmacro 3
		184 ⇔ 199	Geluidsactieve bewegingsmacro 4
		200 ⇔ 215	Geluidsactieve bewegingsmacro 5
		216 ⇔ 231	Geluidsactieve bewegingsmacro 6
		232 ⇔ 247	Geluidsactieve bewegingsmacro 7
		248 ⇔ 255	Geluidsactieve bewegingsmacro 8

NL

## 10CH

Kanaal	Functie	Waarde	Percentage/Instelling
1	Zwenken	000 ⇔ 255	0 tot 540°
2	Kantelen	000 ⇔ 255	0 tot 270°
3	Kleurenwiel	000 ⇔ 007	Wit
		008 ⇔ 015	Oranje
		016 ⇔ 023	Limoengroen
		024 ⇔ 031	Cyaan
		032 ⇔ 039	Rood
		040 ⇔ 047	Groen
		048 ⇔ 055	Magenta
		056 ⇔ 063	Geel
		064	Wit
		065 ⇔ 189	Kleur indexeren
		190 ⇔ 221	Kleur-cyclus regenboog, snel naar langzaam
		222 ⇔ 223	Stop
		224 ⇔ 255	Kleur-cyclus regenboog omkeren, langzaam naar snel
		4	Roterende gobowiel (Gobo) (zie <a href="#">Gobos</a> )
008 ⇔ 015	Gobo 1		
016 ⇔ 023	Gobo 2		
024 ⇔ 031	Gobo 3		
032 ⇔ 039	Gobo 4		
040 ⇔ 047	Gobo 5		
048 ⇔ 055	Gobo 6		
056 ⇔ 063	Gobo 7		
064 ⇔ 071	Gobo 7 schudden, langzaam tot snel		
072 ⇔ 079	Gobo 6 schudden, langzaam tot snel		
080 ⇔ 087	Gobo 5 schudden, langzaam tot snel		
088 ⇔ 095	Gobo 4 schudden, langzaam tot snel		
096 ⇔ 103	Gobo 3 schudden, langzaam tot snel		
104 ⇔ 111	Gobo 2 schudden, langzaam tot snel		
112 ⇔ 119	Gobo 1 schudden, langzaam tot snel		
120 ⇔ 127	Open		
128 ⇔ 191	Cyclus-effect, langzaam tot snel		
192 ⇔ 255	Cyclus-effect omkeren, langzaam tot snel		
5	Gobo rotatie		
		064 ⇔ 147	Gobo rotatie, langzaam tot snel
		148 ⇔ 231	Gobo rotatie omkeren, langzaam tot snel
		232 ⇔ 255	Gobo springen, kort tot lang

Kanaal	Functie	Waarde	Percentage/Instelling
6	Statische gobowiel (Gobo2) (zie <a href="#">Gobos</a> )	000 ⇔ 006	Open
		007 ⇔ 013	Gobo 1
		014 ⇔ 020	Gobo 2
		021 ⇔ 027	Gobo 3
		028 ⇔ 034	Gobo 4
		035 ⇔ 041	Gobo 5
		042 ⇔ 048	Gobo 6
		049 ⇔ 055	Gobo 7
		056 ⇔ 063	Gobo 8
		064 ⇔ 071	Gobo 8 schudden, langzaam tot snel
		072 ⇔ 078	Gobo 7 schudden, langzaam tot snel
		079 ⇔ 085	Gobo 6 schudden, langzaam tot snel
		086 ⇔ 092	Gobo 5 schudden, langzaam tot snel
		093 ⇔ 099	Gobo 4 schudden, langzaam tot snel
		100 ⇔ 106	Gobo 3 schudden, langzaam tot snel
		107 ⇔ 113	Gobo 2 schudden, langzaam tot snel
		114 ⇔ 120	Gobo 1 schudden, langzaam tot snel
7	Prisma	121 ⇔ 127	Open
		128 ⇔ 191	Cyclus-effect omkeren, langzaam tot snel
		192 ⇔ 255	Cyclus-effect, langzaam tot snel
		000 ⇔ 003	Geen functie
		004 ⇔ 006	Prisma 1 (rond)
		007 ⇔ 065	Rotatie, langzaam tot snel
		066 ⇔ 123	Rotatie omkeren, langzaam tot snel
		124 ⇔ 127	Prisma 1 (rond)
		128 ⇔ 131	Geen functie
		132 ⇔ 134	Prisma 2 (lineair)
8	Focus	135 ⇔ 193	Rotatie, langzaam tot snel
		194 ⇔ 251	Rotatie omkeren, langzaam tot snel
9	Zoom	252 ⇔ 255	Prisma 2 (lineair)
10	Sluiter	000 ⇔ 255	0–100%
		000 ⇔ 003	Breed tot smal
		004 ⇔ 007	Uit
		008 ⇔ 076	Aan
		077 ⇔ 145	Flitsen, langzaam naar snel
		146 ⇔ 215	Impulse flitsen, langzaam naar snel
10	Sluiter	216 ⇔ 255	Willekeurig flitsen, langzaam naar snel
		216 ⇔ 255	Aan

Contact Us

General Information	Technical Support
<b>Chauvet World Headquarters</b>	
Address: 5200 NW 108th Ave. Sunrise, FL 33351 Voice: (954) 577-4455 Fax: (954) 929-5560 Toll Free: (800) 762-1084	Voice: (844) 393-7575 Fax: (954) 756-8015 Email: <a href="mailto:chauvetcs@chauvetlighting.com">chauvetcs@chauvetlighting.com</a> Website: <a href="http://www.chauvetdj.com">www.chauvetdj.com</a>
<b>Chauvet Europe Ltd</b>	
Address: Unit 1C Brookhill Road Industrial Estate Pinxton, Nottingham, UK NG16 6NT Voice: +44 (0) 1773 511115 Fax: +44 (0) 1773 511110	Email: <a href="mailto:UKtech@chauvetlighting.eu">UKtech@chauvetlighting.eu</a> Website: <a href="http://www.chauvetdj.eu">www.chauvetdj.eu</a>
<b>Chauvet Europe BVBA</b>	
Address: Stokstraat 18 9770 Kruishoutem Belgium Voice: +32 9 388 93 97	Email: <a href="mailto:BNLtech@chauvetlighting.eu">BNLtech@chauvetlighting.eu</a> Website: <a href="http://www.chauvetdj.eu">www.chauvetdj.eu</a>
<b>Chauvet France</b>	
Address: 3, Rue Ampère 91380 Chilly-Mazarin France Voice: +33 1 78 85 33 59	Email: <a href="mailto:FRtech@chauvetlighting.fr">FRtech@chauvetlighting.fr</a> Website: <a href="http://www.chauvetdj.eu">www.chauvetdj.eu</a>
<b>Chauvet Germany</b>	
Address: Bruno-Bürgel-Str. 11 28759 Bremen Germany Voice: +49 421 62 60 20	Email: <a href="mailto:DEtech@chauvetlighting.de">DEtech@chauvetlighting.de</a> Website: <a href="http://www.chauvetdj.eu">www.chauvetdj.eu</a>
<b>Chauvet Mexico</b>	
Address: Av. de las Partidas 34 - 3B (Entrance by Calle 2) Zona Industrial Lerma Lerma, Edo. de México, CP 52000 Voice: +52 (728) 690-2010	Email: <a href="mailto:servicio@chauvet.com.mx">servicio@chauvet.com.mx</a> Website: <a href="http://www.chauvetdj.mx">www.chauvetdj.mx</a>

Visit the applicable website above to verify our contact information and instructions to request support. Outside the US, UK, Ireland, France, Germany, Benelux or Mexico, contact the dealer of record.

**Intimidator Spot 475Z QRG Rev. 3 ML6**  
 © Copyright 2019 Chauvet  
 All rights reserved  
 Printed in the P.R.C.



RoHS