

Alphalite

PROJECT NAME

CATALOG NO.

TYPE

DATE

NOTE

LED TROFFER RETROFIT KIT

IRT

DESCRIPTION

The Infinity LED Troffer Retrofit Kit series combines the benefits of long life, controllability, and energy savings with elegant design and superior quality of light. The IRT retrofit solution optimizes LED optics and electronics to deliver energy savings and high performance while being extremely quick and easy to install.

APPLICATION

Indoor general/ambient illumination. Idea for offices, retail, and other architectural spaces that demand energy demand reduction and high quality light.

SPECIFICATION FEATURES

Construction

Rugged construction: solid die-formed, cold-rolled steel. Interior utilizes highly reflective powder coat finish. All surfaces coated and baked post-fabrication with high gloss powder-paint. Diffuser lens provides even and consistent light while eliminating pixelation. Tool-less removal of diffuser allows access to LED array. LED module and driver are replaceable. Easy and convenient installation utilizes existing luminaire body, reduces labor hours.

Electrical

Luminaire utilizes long life, high efficacy LEDs and a highly efficient, reliable LED driver. 120V-277V input voltage for increased versatility. 0-10V continuous dimming comes standard. Ideal when used in conjunction with controls and sensors. Comes equipped with quick disconnect for compliance with US code

Mounting

Installs within existing troffer and louvers. Utilizes existing luminaire body, eliminating the need to remove and dispose of old hardware. LED module arrays and drivers accessible from fixture during service and operation, no need to access via plenum.



IRT

Infinity Retrofit Kit Series

2x2 and 2x4



Optics

Occupants can realize a productive and comfortable atmosphere through enhanced light quality and distribution. Diffuser shape, pattern, and opacity designed in conjunction with precisely-engineered reflector cavity angles to distribute LED light consistently, reducing glare and pixelation.

Finish

Highly reflective powder coat finish. Baked white matte paint, applied after fabrication.

Certifications / Regulatory

UL/cUL listed. All components used have UL approval. UL Class 2. Power supply: SCP, OTP, OVP protection, FCC Part 15 Class B, UL8750 Class 2. DLC QPL..

Warranty

5-year limited warranty. See complete warranty terms for details.



Quick Ship Product

ORDERING INFORMATION

Sample Number: IRT-24H44)/840

IRT	22	H(40)	8	40	(Blank)	(Blank)
Series	Form Factor	Lumen Package	CRI	CCT	Input Voltage	Dimming
IRT - Infinity LED Troffer Retrofit Kit	22 - 2'x2' 24 - 2'x4'	2'x2' : L(25) - 25W H(34) - 34W 2'x4' : VL(25) - 25W L(38) - 38W H(44) - 44W *see energy data for details	8 - 83+ CRI	35 - 3500K 40 - 4000K 50 - 5000K	(Blank) - 120V-277V 347 - 347V	(Blank) - 0-10V
Options						
Controls			Emergency Backup			
MMS - Integrated bi-level dimming microwave motion sensor DL - Integrated daylight harvesting			EM700 - 700lm EM1400 - 1400lm EM2000 - 2000lm			



Specifications and dimensions subject to change without notice.

10715 Springdale Ave., #4, Santa Fe Springs, CA 90670

Tel: 888.287.9228

Fax: 888.258.9183

www.alphalite.us

PERFORMANCE

SUMMARY

Input Voltage	120V-277V
Input Power	See energy data for details
Power Factor	> 0.95
THD (Max.)	20%
Efficacy	> 125 LPW
Delivered Lumens	See energy data for details
Controls/ Dimming	Full Range 0-10V dimming standard
Dimming Range	10-100%
CRI	> 83
CCT	3500K, 4000K, 5000K
Operating Temp.	-20 ~ +55 C
Rated Life	50,000 hours

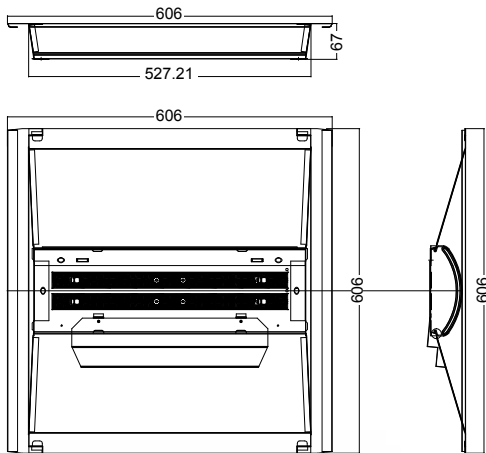
ENERGY PERFORMANCE DATA

	Lumen package	Rated Wattage	Tested Wattage	Lumens	LPW
2 x 2	IRT-22L(25)/835	25	24	3000	125
	IRT-22L(25)/840	25	24	3072	128
	IRT-22L(25)/850	25	24	3096	129
	IRT-22H(34)/835	34	33	4026	122
	IRT-22H(34)/840	34	33	4158	126
2 x 4	IRT-22H(34)/850	34	33	4224	128
	IRT-24VL(25)/835	25	24	3000	125
	IRT-24VL(25)/840	25	24	3072	128
	IRT-24VL(25)/850	25	24	3096	129
	IRT-24L(38)/835	38	36	4500	125
	IRT-24L(38)/840	38	36	4680	130
	IRT-24L(38)/850	38	36	4716	131
	IRT-24H(44)/835	44	41	5125	125
IRT-24H(44)/840	44	41	5330	130	
IRT-24H(44)/850	44	41	5371	131	

PHYSICAL PARAMETERS

DIMENSION

IRT-22



IRT-24

