



ATG's Helix High Bay is ideally deployed for use in distribution centers, manufacturing facilities, and large retail facilities with ceilings of 20 to 40 feet. Pairing high efficacy LED performance with a range of shroud and lens options, Helix High Bay will deliver top quality illumination and aesthetics to modern interior applications.

Certifications and Compatibilities

Project Details		Type
Project:		
Product:		
Prepared by:		
Notes:		

Product Highlights

- Up to 147 Lumens per watt
- Easy to install motion sensor
- IP65 Waterproof (sensor not included)
- Superior glare prevention and light quality

Product Specs

Input Voltage (VAC)	100-277 / 347-480
CCT (K)	3500, 4000, 5000*
PF	.9
Limited Warranty	10 Years
CRI	80+
Color**	Black, Custom
L70 (Hours)	100,000
Housing	Aluminum Alloy, Tempered Glass Cover
Temperature Range	0-10V Dimming (0% to 100%)
THD	<205

Electrical

The Helix High Bay G3 is offering a range of PMMA shrouds and lens to provide high levels of vertical illuminance with minimal glare.

Order Format **Example: HBUF-150W-50-SE-G3B**

Series	Wattage	CCT	Voltage	Option	Generation	Finish Color
HBUF =Helix High Bay	100W=100W 150W=150W 200W=200W 240W=240W	35=3500K 40=4000K 50=5000K	Blank=100-277V V=347-480V	Blank=Standard SE=with Sensor	G3=3rd Generation	B=Black Custom colors are available. Consult factory.**

Mounting and Accessories

PMK1	PMK-HBUF-G3-01 Pendant Mount	PS	22" PMMA Shroud
PMK2	PMK-HBUF-G3-02 Pendant Mount	DC	22" Dome Cover for PMMA Shroud
AS100	60° or 90° Aluminum Shroud (100W and 150W)	MS	HD06VCRH3 Microwave Sensor
AS200	60° or 90° Aluminum Shroud (200W and 240W)	RECP	RECP-HD006VCRH3 Receptacle
PCS100	60° or 90° PC Shroud (100W and 150W)	RC	RC-HD06VCRH3 Remote Control
PCS200	60° or 90° PC Shroud (200W and 240W)	EBB	Emergency Battery Backup (15W, 25W, 49W)

**contact sales for lead time and pricing on customized finish color

Application

The luminaire can be mounted by cable, bracket, or pendant*. Maximum recommended installation height for the Helix High Bay is 40 ft. The slim profile allows for exceptionally versatile placement compared to traditional high bays.

*pendant kit available, pole not included



Construction

The Helix High Bay G3's housing is formed from cast and extruded aluminum. Our streamlined manufacturing process delivers a more versatile product with a superior value proposition. The fixture is manufactured with heavy gauge aluminum enclosure to provide efficient heat dissipation. Easy to install sensor and SPD are provided as options.



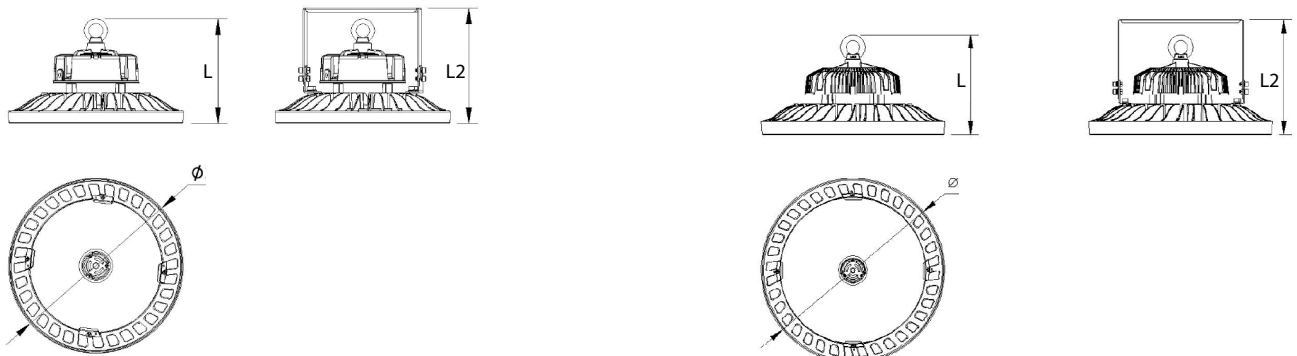
Lumens

Catalog Number	Default Wattage (W)	35K		4K		5K	
		Efficacy (Lm/W)	Lumens (Lm)	Efficacy (Lm/W)	Lumens (Lm)	Efficacy (Lm/W)	Lumens (Lm)
HBUF-100W	100W	142	14200	145	15,197	147	15,392
HBUF-150W	150W	145	21750	145	21,782	146	22,070
HBUF-200W	200W	142	28400	146	29,457	147	29,839
HBUF-240W	240W	142	34080	145	34,805	147	35,294

Please contact an ATG Representative for more information.

Cord Set, Battery Backup, Motion Sensor, and 347-480V Driver options are assembled when requested. Additional lead time and cost apply.

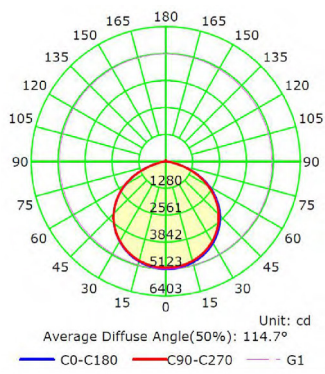
Dimensions



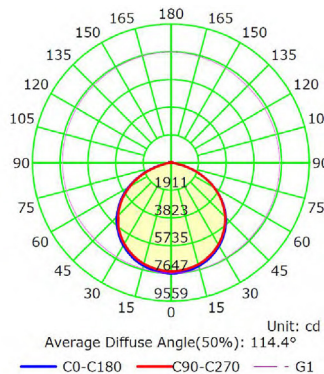
PART NO.	WATTAGE	LENGTH (L)	WIDTH (W)	DEPTH (D)
HBUF-100W	100W	7.28"	8.07"	12.20"
HBUF-150W	150W	7.28"	8.07"	12.20"

PART NO.	WATTAGE	LENGTH (L)	WIDTH (W)	DEPTH (D)
HBUF-200W	200W	8.26"	9.13"	14.65"
HBUF-240W	240W	8.26"	9.13"	14.65"

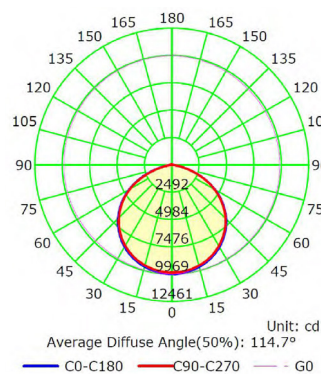
Coverage



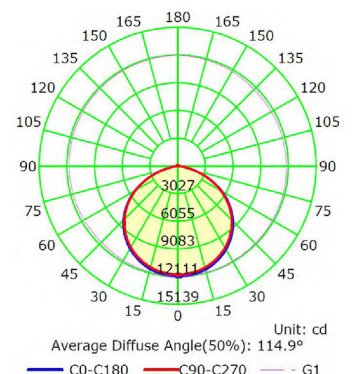
100W



150W



200W



240W

Accessories

Product Highlights

- UL Listed for US and CANADA
- Listed to UL924 and tested to CSA C22.2
- NO.141 Field or factory installation
- High output voltage
- Low energy consumption CEC Title20 compliance
- Constant output power
- Self-testing
- Battery: over temperature protection
- Remote Test Switch: Distance for 98ft
(This accessory is optional)

Product Specs

Input Voltage (VAC)	1--347 Vac, 50/60Hz
Input Current	200mA max
Input Power Rating	12W max
Recharge Time	20 Hrs
Output Voltage	170V DC
Emergency Power	15W, 25W, 40W
Discharge Time	1.5H
Batter	Ni-MH or Li-ion
Warranty	5 Years
Ambient Temp	32~122° F (~50° C)
Weight	4.14 lbs (1.88kg)

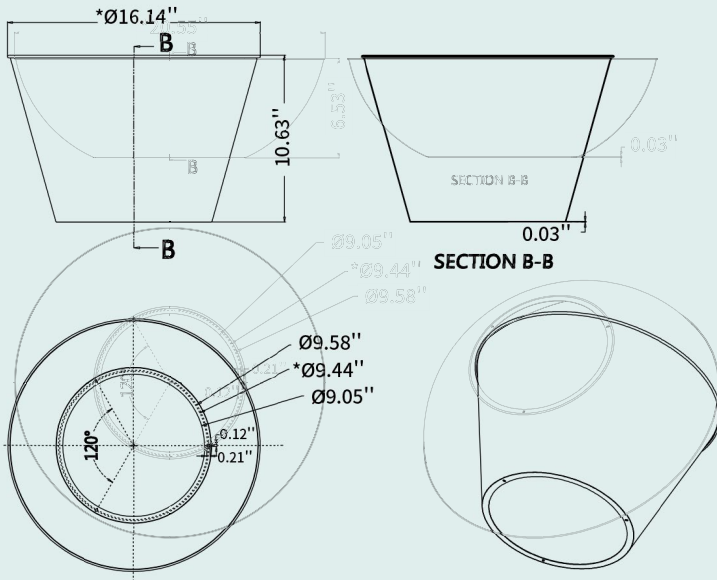
MODEL NUMBER	EMERGENCY POWER
EMUFO-15170-YY	15W EM Kit for Helix G3
EMUFO-25170-YY	25W EM Kit for Helix G3
EMUFO-40170-YY	49W EM Kit for Helix G3



Accessories

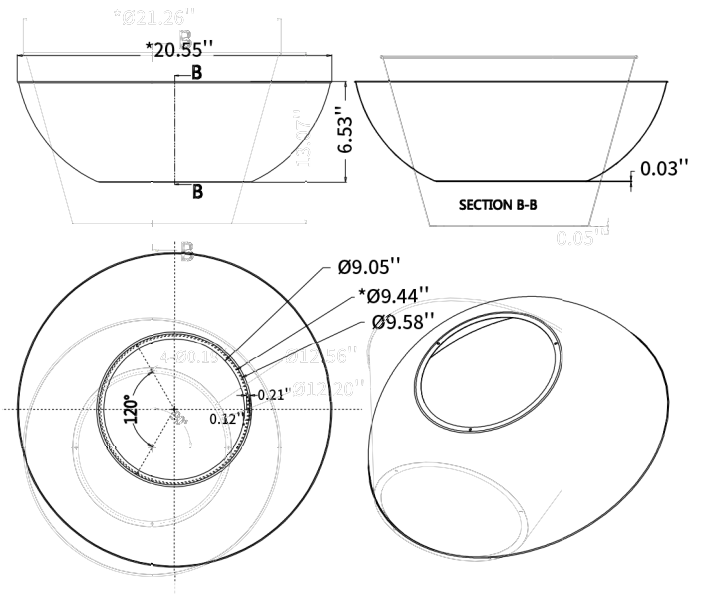
60° Aluminum Shroud

SRD-HBUF-G3-D60-A1 60°
Aluminum Shroud Dimension
for 100W&150W



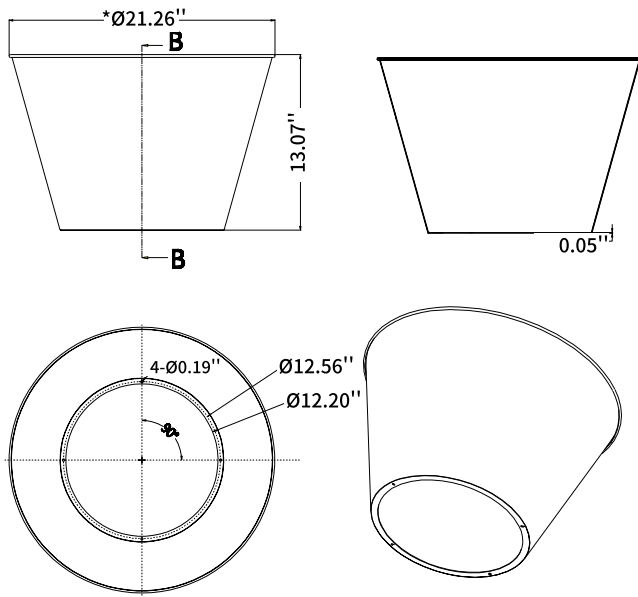
90° Aluminum Shroud

SRD-HBUF-G3-D90-A1 90°
Aluminum Shroud Dimension
for 100W&150W



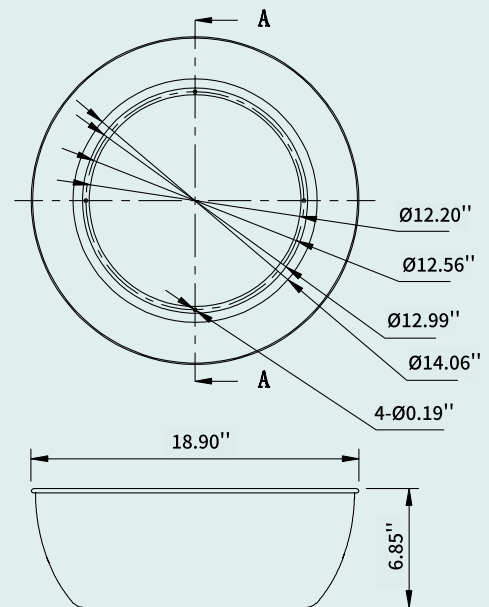
60° Aluminum Shroud

SRD-HBUF-G3-D60-A2 60°
Aluminum Shroud Dimension
for 200W&240W



90° Aluminum Shroud

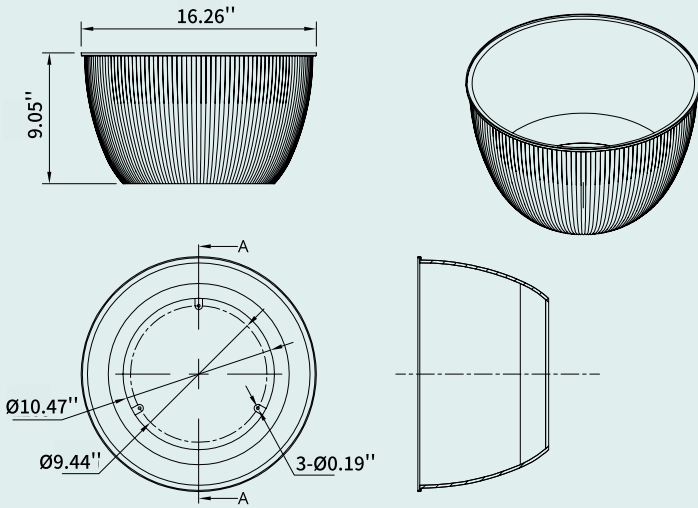
SRD-HBUF-G3-D90-A2 90°
Aluminum Shroud Dimension
for 200W&240W



Accessories

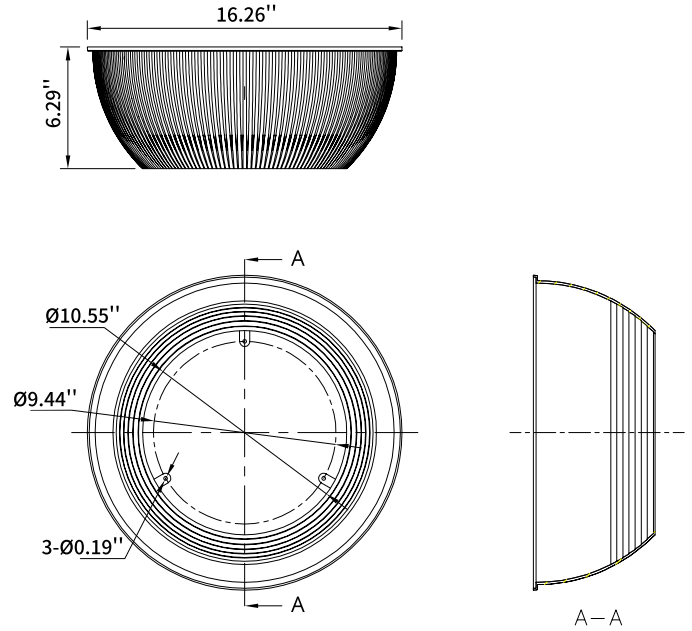
60° PC Shroud

SRD-HBUF-G3-D60-01 60°
Polycarbonate Shroud
Dimension for 100W&150W



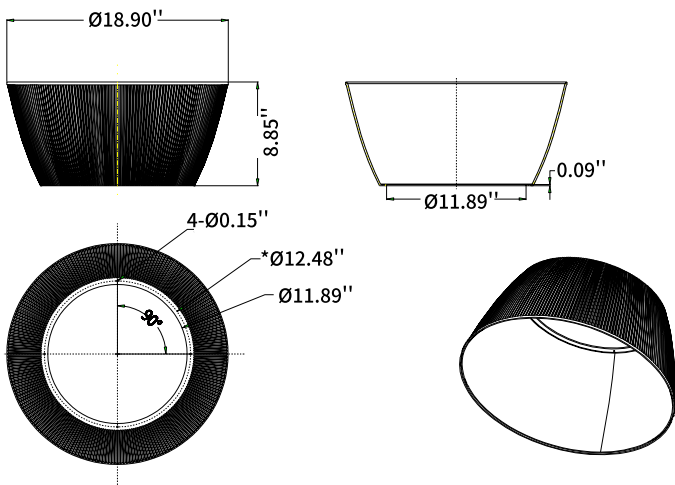
90° PC Shroud

SRD-HBUF-G3-D90-01 90°
PC Shroud Dimension for
100W&150W



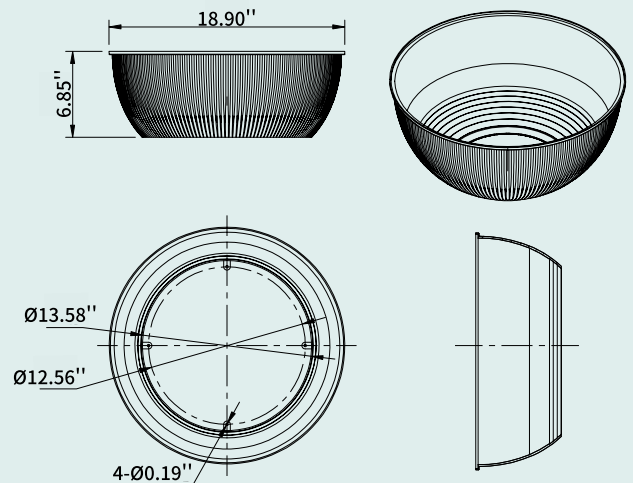
60° PC Shroud

SRD-HBUF-G3-D60-02 60°
Polycarbonate Shroud
Dimension for 200W&240W



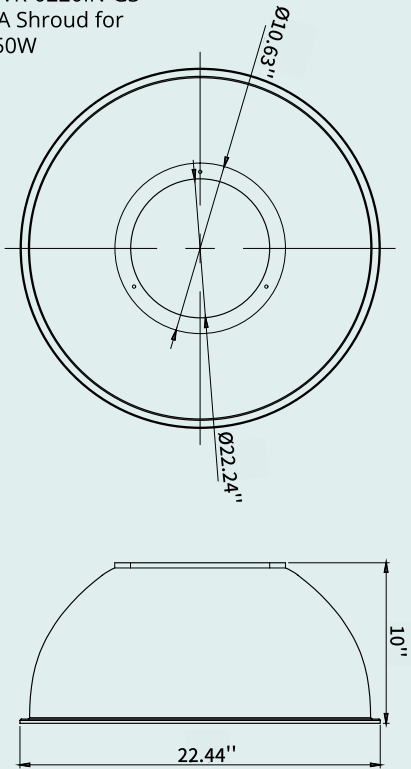
90° PC Shroud

SRD-HBUF-G3-D90-02 90°
Polycarbonate Shroud
Dimension for 200W&240W

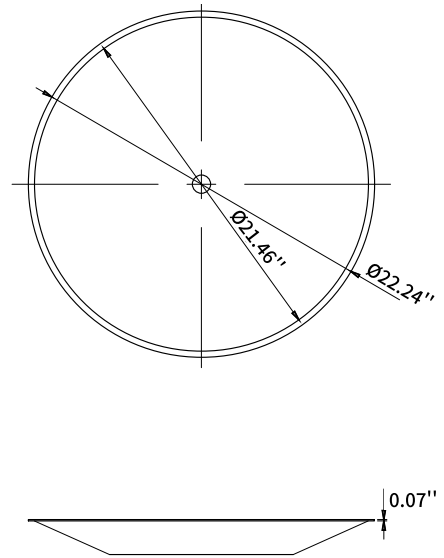


Electrical Accessories

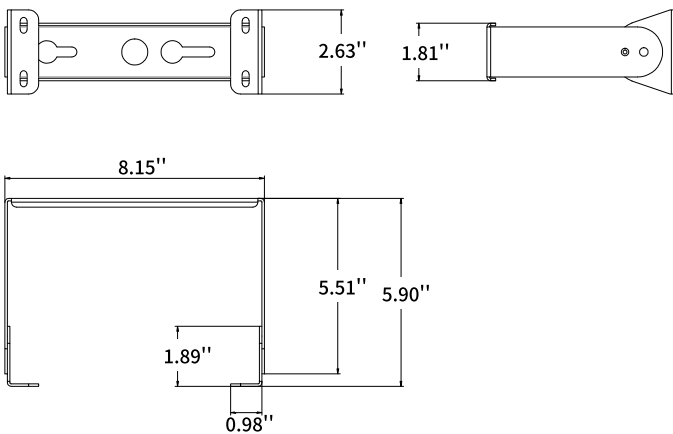
22" PMMA Shroud
HAC-HBCVR-0220IN-G3
22" PMMA Shroud for
100W&150W



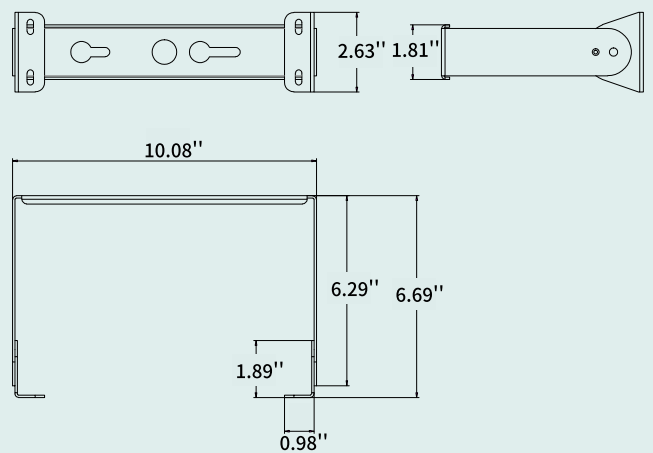
22" Dome
HAC-HBBTM-0220IN-G3
Dome Cover for 22" PMMA
Shroud



PMK-HBUF-G3-01
Pendant Mount Kit
For 100W&150W



PMK-HBUF-G3-02
Pendant Mount Kit
For 200W&240W



PIR Sensor

HD06VCRH3: Microwave Sensor
RECP-HD006VCRH3: Receptacle
RC-HD06VCRH3: Remote Control

The bottom part will be always on the lighting fixtures; if the function is needed, the module will be placed inside; if no function needed, the module will be removed.

Operating Voltage	10-15VDC
Operating Current	30mA±5%
Output	DIM 1-10V
Stand-by Power	<0.5W
Detection Area	25%/50%/75%/100%
Hold Time	5s/30s/1min/3min/5min/10min/20min/30min
Daylight Threshold	2Lux/10Lux/30Lux/50Lux/80Lux/120Lux/Disable
Stand-by period	0s/10s/30s/1min/5min/10min/30min/+∞
Stand-by dimming level	10%/20%/30%/50%
Microwave frequency	5.8GHz±75MHz
Microwave power	<0.3mW
Mounting height	Max.15m/49.2ft
Detection range	Max.14m/45.92ft
Operating temperature	-20°C~+60°C
IP rating	IP20

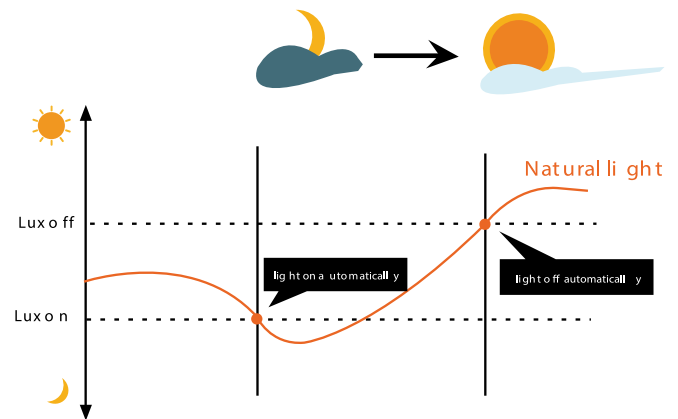
Settings

LUX on/off

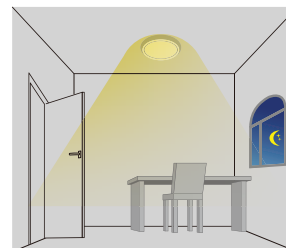
Adopted dual PD technology, it is able to differentiate artificial light brightness from natural light after installed inside the fixture, and automatically turn off light when ambient brightness exceeds preset lux level.

Preconditions to use the Lux-off function:

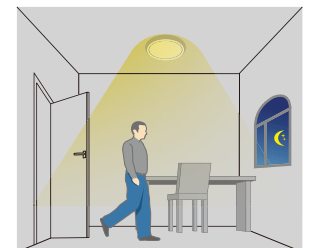
1. Standby period is +∞;
2. Standby dimming level is on 10% or 30%;
3. Daylight threshold is on 30Lux, 50Lux, 80Lux or 120Lux.



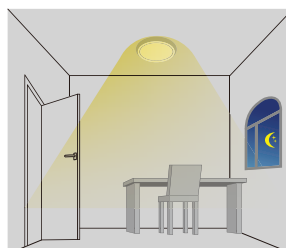
Application -- LUX on/off



Light automatically on when ambient brightness is lower than preset lux level.



With insufficient ambient brightness, light dims to 100% when motion detected.



Light dims to standby level if no motion detected after holdtime.



Light off when ambient lux level is higher than preset lux amount.