

HELIX G4 LED ROUND HIGH BAY

DESCRIPTION

LED Round High Bay / 120-277VAC
input(347-480V Optional)/ Power Selectable*/ Ribbed Lens/
PC & Aluminum Shroud Available(Optional)/ PNP Sensor (Optional)

*Not for all models



APPLICATION

Warehouse/ Gym/Manufacturing/ Retail/ Distribution Center/ Hangar/ Workshop



PRODUCT FEATURES

- Power Selectable Technology: covering 3 wattage selections with 1 SKU(not for all models)
- Powder-coated aluminum housing, polycarbonate lens
- Optional PNP multifunction sensor, receptacle pre-installed
- 0-10V dimmable driver, featuring 12V AUX power tap
- RELOC options available*
- Ring-bolt mount included as default, pendant mount kit available*
- PC & Aluminum refractor offered*
- IP65 rated for wet location application
- Ambient operating temperature: -40°C(-40°F) to 55°C(131°F)
- DLC Premium listed

* optional accessories, order separately

PRODUCT SPECIFICATIONS

Catalog Part Number (For ordering)	CCT	Nominal Wattage(W)	Watts (W)	Efficacy (LM/W)	Lumens (LM)	DLC Model Number	Product ID
HBUF-150P-40-G4	4000K	150	146	152	22,192	HBUF-150P-40-G4-[Blank,W]-[blank,Sx,Ex,SxEx]	S-BK8SMV
		120	118	151	17,818		
		90	89	152	13,528		
HBUF-150P-50-G4	5000K	150	146	153	22,267	HBUF-150P-50-G4-[Blank,W]-[blank,Sx,Ex,SxEx]	S-5Q460M
		120	118	153	18,054		
		90	89	155	13,795		
HBUF-200W-40-G4	4000K	200	192	146	28,009	HBUF-200W-40-G4[B,W]-[Blank, Sx, Ex, SxEx]	S-ZN3E76
HBUF-200W-50-G4	5000K	200	192	147	28,102	HBUF-200W-50-G4[B,W]-[Blank, Sx, Ex, SxEx]	S-YWBX6H
HBUF-240W-40-G4	4000K	240	234	144	33,643	HBUF-240W-40-G4[B,W]-[Blank, Sx, Ex, SxEx]	S-O7N2LV
HBUF-240W-50-G4	5000K	240	234	144	33,659	HBUF-240W-50-G4[B,W]-[Blank, Sx, Ex, SxEx]	S-5AY3FT
HBUF-300W-40-G4	4000K	300	287	150	43,199	Not Listed Yet	
HBUF-300W-50-G4	5000K	300	287	152	43,624	Not Listed Yet	

* Data for 300W, 120W, 90W is based on in-house IES and extrapolated data. Other data is based on DLC reported data.

* Please contact our sales team for stock info.

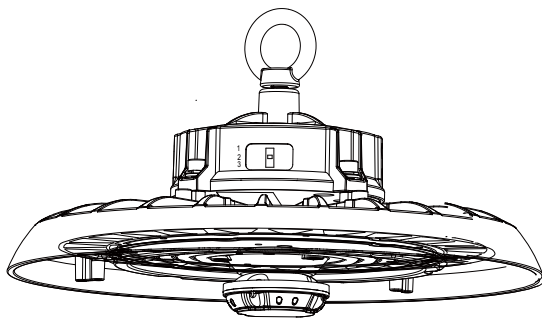
HELIX G4
LED ROUND HIGH BAY

LUMEN MAINTENANCE

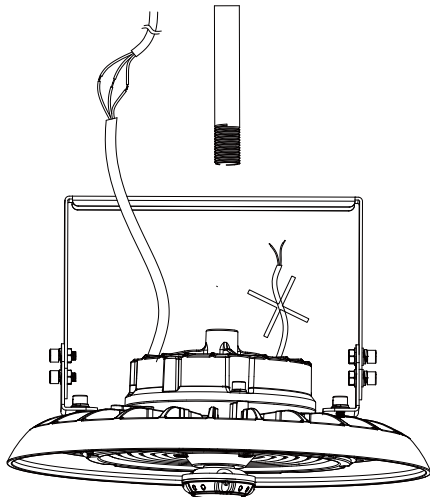
PROJECTED LUMEN MAINTENANCE

Ambient Test Temp	Reported Hrs	0 Hrs	25,000 Hrs	50,000 Hrs	TM-21-11 54,000	100,000 Hrs	L70 Hrs
25°C/77°F	>54,000	1	0.935	0.876	0.867	0.7693	136,000

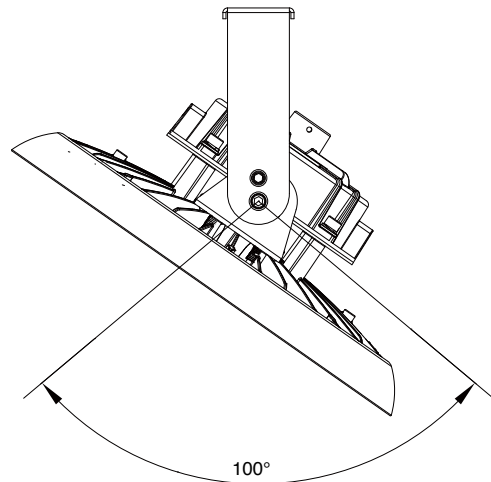
INSTALLATION



Ring-bolt



PENDANT

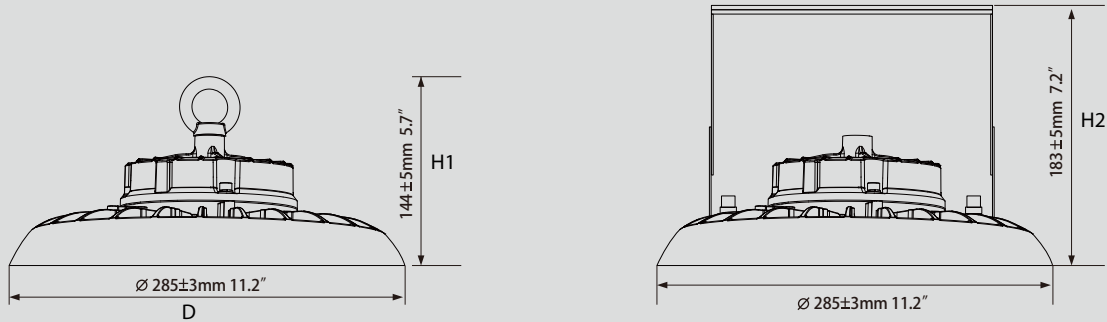


CEILING MOUNT

* Ring-bolt comes standard, pendant mount and ceiling mount optional.
* Check below see more info about mount kits.

HELIX G4
LED ROUND HIGH BAY

DIMENSIONS



PART#	WATTAGE	Diameter(D)	Height(H1)	Height(G2)
HBUF-150P-XX-G4	150W Select	11.2"	5.7"	7.2"
HBUF-200W-XX-G4	200W Fixed	12.8"	5.8"	7.4"
HBUF-240W-XX-G4	240W Fixed	12.8"	6.5"	7.7"
HBUF-300W-XX-G4	240W Fixed	15.4"	8"	8.4"

PHYSICAL FEATURES



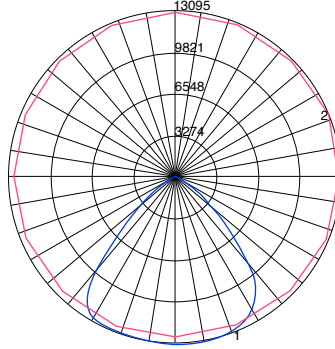
1. Power Selectable Function for 150W model
2. Ring-bolt mount comes standard, pendant mount(1/2 NPT) and ceiling mount available with optional mounting kit
3. Sensor receptacle pre-installed, multifunction sensor optional, can be easily field-installed

HELIX G4
LED ROUND HIGH BAY

PHOTOMETRIC SPECIFICATIONS

HBUF-150P-40-G4

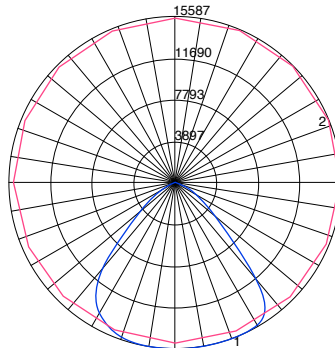
Input Voltage(VAC): 120-277
 Nominal Wattage(W): 100
 System Wattage(W): 156.2
 Lumen Output(LM): 26900.7
 Efficacy(LM/W): 172
 CCT(K): 4000
 Color Rendering Index(CRI):
 Beam Angle:
 Spacing Criteria (0-180): 1.36
 Spacing Criteria (90-270): 1.44



Cone Of Light Tabulation		
Mounted Height (Feet)	Footcandles Beam Center	Diameter
15	57.9	43.5
17	45.2	46.5
20	32.6	52.5
23	24.7	54
25	20.9	57
28	16.7	61
30	14.5	64
Date Multipliers		
5000K		1.01
AL Reflector		0.95
PC Reflector		0.98
PC Reflector& Bottom Cover		0.85

HBUF-200P-50-G4

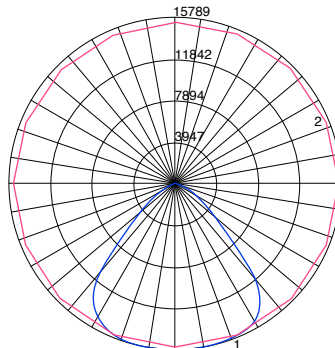
Input Voltage(VAC): 120-277
 Nominal Wattage(W): 100
 System Wattage(W): 193
 Lumen Output(LM): 32078.2
 Efficacy(LM/W): 166
 CCT(K): 5000
 Color Rendering Index(CRI):
 Beam Angle:
 Spacing Criteria (0-180): 1.36
 Spacing Criteria (90-270): 1.44



Cone Of Light Tabulation		
Mounted Height (Feet)	Footcandles Beam Center	Diameter
15	69.1	45
17	53.8	48
20	38.8	50.5
23	29.4	56
25	24.9	60
28	19.8	65
30	17.3	69
Date Multipliers		
5000K		0.98
AL Reflector		0.95
PC Reflector		0.98
PC Reflector& Bottom Cover		0.85

HBUF-250P-50-G4

Input Voltage(VAC): 120-277
 Nominal Wattage(W): 100
 System Wattage(W): 242.8
 Lumen Output(LM): 32566.7
 Efficacy(LM/W): 134
 CCT(K): 5000
 Color Rendering Index(CRI):
 Beam Angle:
 Spacing Criteria (0-180): 1.4
 Spacing Criteria (90-270): 1.36



Cone Of Light Tabulation		
Mounted Height (Feet)	Footcandles Beam Center	Diameter
15	70.1	46
17	54.6	49
20	39.4	56
23	29.8	58
25	25.2	60
28	21.6	59
30	17.5	64
Date Multipliers		
5000K		0.98
AL Reflector		0.95
PC Reflector		0.98
PC Reflector& Bottom Cover		0.85

HELIX G4

LED ROUND HIGH BAY

ADDITIONAL ACCESSORIES (SOLD SEPARATELY)

ATG CODE	MODEL NUMBER	DESCRIPTION
SQ	HB01DMS	Microwave Sensor for Helix G4, 12VDC
RQ	HB03R	Remote for HB01DMS
EA	EMUFO-25170	EM Kit, 25W, Lithium Battery
EB	EMUFO-40170	EM Kit, 40W, Lithium Battery
PMK	PMK-HBUF-G4	Pendant and Ceiling Mount Kit
SRDP	SRD-HBUF-G4-D90	Poly Carbonate Shroud/Refractor for 100W-240W, 90°
SRDA	SRD-HBUF-G4-D90-A1	Aluminum Shroud/Refractor for 100W/150W, 90°
SRBC	SRD-HBUF-G4-BC	Bottom Cover for Poly Carbonate Shroud/Refractor
WG	WG-HBUF-G4	Wire Guard for 100W-240W



EMUFO-25170



PMK-HBUF-G4



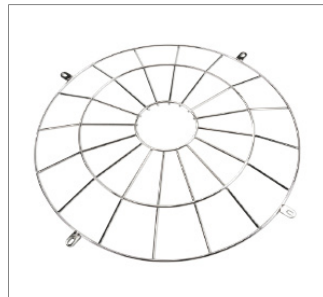
SRD-HBUF-G4-BC



SRD-HBUF-G4-D90-A1



SRD-HBUF-G4-D90



WG-HBUF-G4



HB01DMS



HB03R

ORDER FORMAT

Series	Wattage	CCT	Input	Gen	Finish	Sensor*	EM	Accessories*
HBUF	<input type="text"/>	<input type="text"/>	<input type="text"/>	G4	<input type="text"/>	<input type="text"/>	<input type="text"/>	<input type="text"/>
	200W= 200W 240W= 240W 300W= 300W 150P= 150W/120W/90W Selectable	40= 4000K 50= 5000K	Blank= 120-277VAC V= 347-480VAC	G4= Gen4	Blank= Blank W= White	SQ NLC**	EA EB	RQ WG PMK SRDP SRDA SRBC

*See more details in ADDITIONAL ACCESSORIES sheet.

**Contact sales team for more details about NLC products.

HELIX G4

LED ROUND HIGH BAY

QUICK ORDERING GUIDE

✓	Part Number	Description	QUICK SHIPPING*
	HBUF-150P-40-G4	G4 Helix LED Highbay, 0-10V dimming, 150W/120W/90W, 4000K, 100-277VAC, Clear Lens, Black Housing, with 12VDC AUX & receptacle	
	HBUF-150P-50-G4	G4 Helix LED Highbay, 0-10V dimming, 150W/120W/90W, 5000K, 100-277VAC, Clear Lens, Black Housing, with 12VDC AUX & receptacle	✓
	HBUF-200W-40-G4	G4 Helix LED Highbay, 0-10V dimming, 200W, 4000K, 100-277VAC, Clear Lens, Black Housing, with 12VDC AUX & receptacle	
	HBUF-200W-50-G4	G4 Helix LED Highbay, 0-10V dimming, 200W, 5000K, 100-277VAC, Clear Lens, Black Housing, with 12VDC AUX & receptacle	✓
	HBUF-240W-40-G4	G4 Helix LED Highbay, 0-10V dimming, 240W, 4000K, 100-277VAC, Clear Lens, Black Housing, with 12VDC AUX & receptacle	
	HBUF-240W-50-G4	G4 Helix LED Highbay, 0-10V dimming, 240W, 5000K, 100-277VAC, Clear Lens, Black Housing, with 12VDC AUX & receptacle	✓
	HBUF-300W-40-G4	G4 Helix LED Highbay, 0-10V dimming, 300W, 4000K, 100-277VAC, Clear Lens, Black Housing, with 12VDC AUX & receptacle	
	HBUF-300W-50-G4	G4 Helix LED Highbay, 0-10V dimming, 300W, 5000K, 100-277VAC, Clear Lens, Black Housing, with 12VDC AUX & receptacle	
	HBUF-150W-40-V-G4	G4 Helix LED Highbay, 0-10V dimming, 150W, 4000K, 347-480VAC, Clear Lens, Black Housing, with 12VDC AUX & receptacle	
	HBUF-150W-50-V-G4	G4 Helix LED Highbay, 0-10V dimming, 150W, 5000K, 347-480VAC, Clear Lens, Black Housing, with 12VDC AUX & receptacle	✓
	HBUF-200W-40-V-G4	G4 Helix LED Highbay, 0-10V dimming, 200W, 4000K, 347-480VAC, Clear Lens, Black Housing, with 12VDC AUX & receptacle	
	HBUF-200W-50-V-G4	G4 Helix LED Highbay, 0-10V dimming, 200W, 5000K, 347-480VAC, Clear Lens, Black Housing, with 12VDC AUX & receptacle	
	HBUF-240W-40-V-G4	G4 Helix LED Highbay, 0-10V dimming, 240W, 4000K, 347-480VAC, Clear Lens, Black Housing, with 12VDC AUX & receptacle	
	HBUF-240W-50-V-G4	G4 Helix LED Highbay, 0-10V dimming, 240W, 5000K, 347-480VAC, Clear Lens, Black Housing, with 12VDC AUX & receptacle	
	SRD-HBUF-G4-D90	PC Shroud for 100W-240W G4 Helix Highbay, 90 degree	✓
	WG-HBUF-G4	Wire Guard for 100W-240W G4 Helix Highbay	✓
	PMK-HBUF-G4	Pendant and Ceiling Mount Kit	✓
	HB01DMS	Microwave Motion Sensor for G4 Helix Highbay, 12VDC	✓
	HB03R	Remote Control for HB01DMS	✓
	EMUFO-25170	Emergency Kit for 150P G4 Helix Highbay, Input: 100-347VAC, Emergency Output: 25W, 170VDC, Emergency Time: 90 mins, Lithium Battery	✓
	EMFUO-40170	Emergency Kit for 200W/240W G4 Helix Highbay, Input: 100-347VAC, Emergency Output: 40W, 170VDC, Emergency Time: 90 mins, Lithium Battery	✓

* QUICK SHIPPING means this is a inventory product, please contact our sales for realtime stock information.