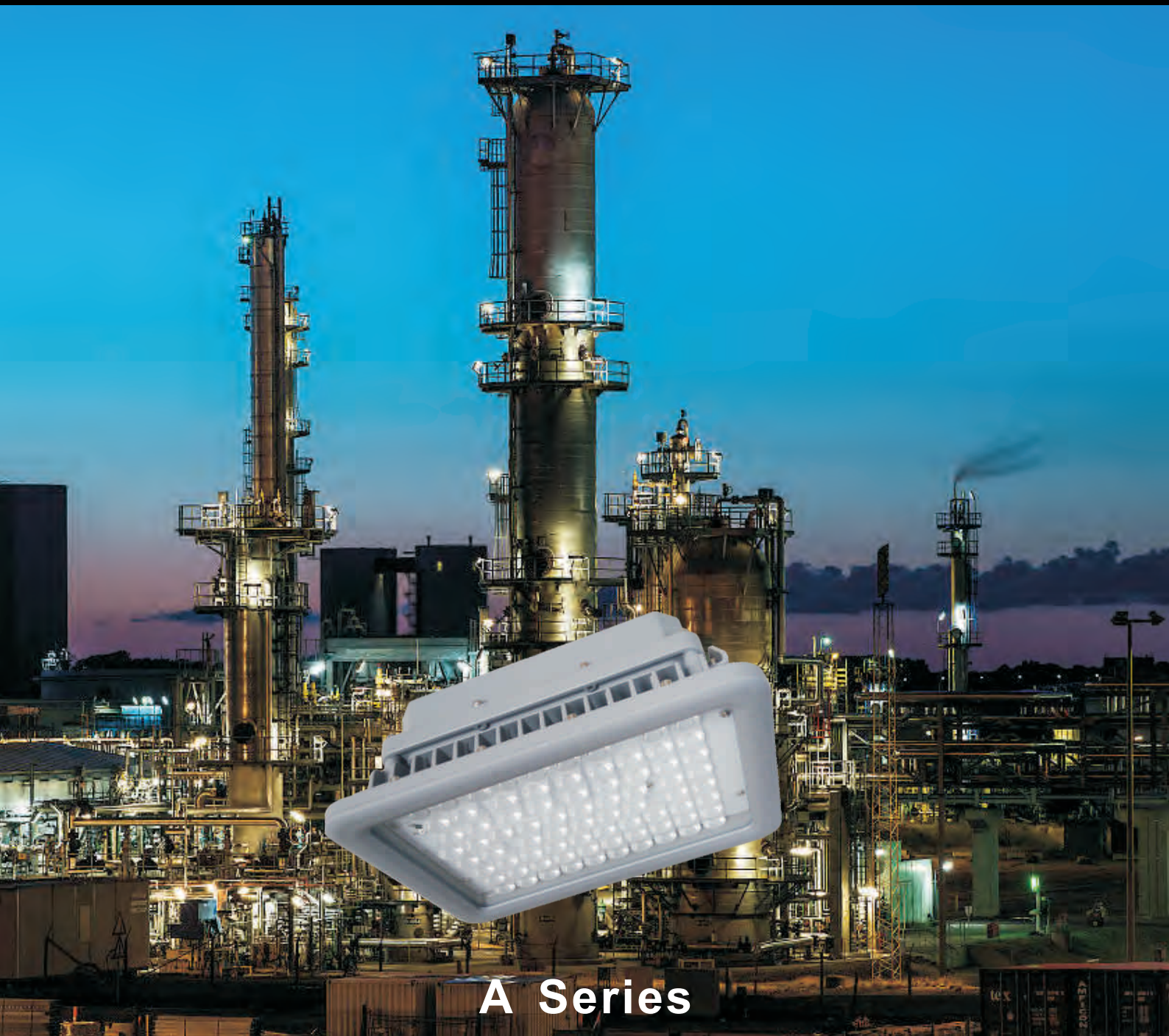


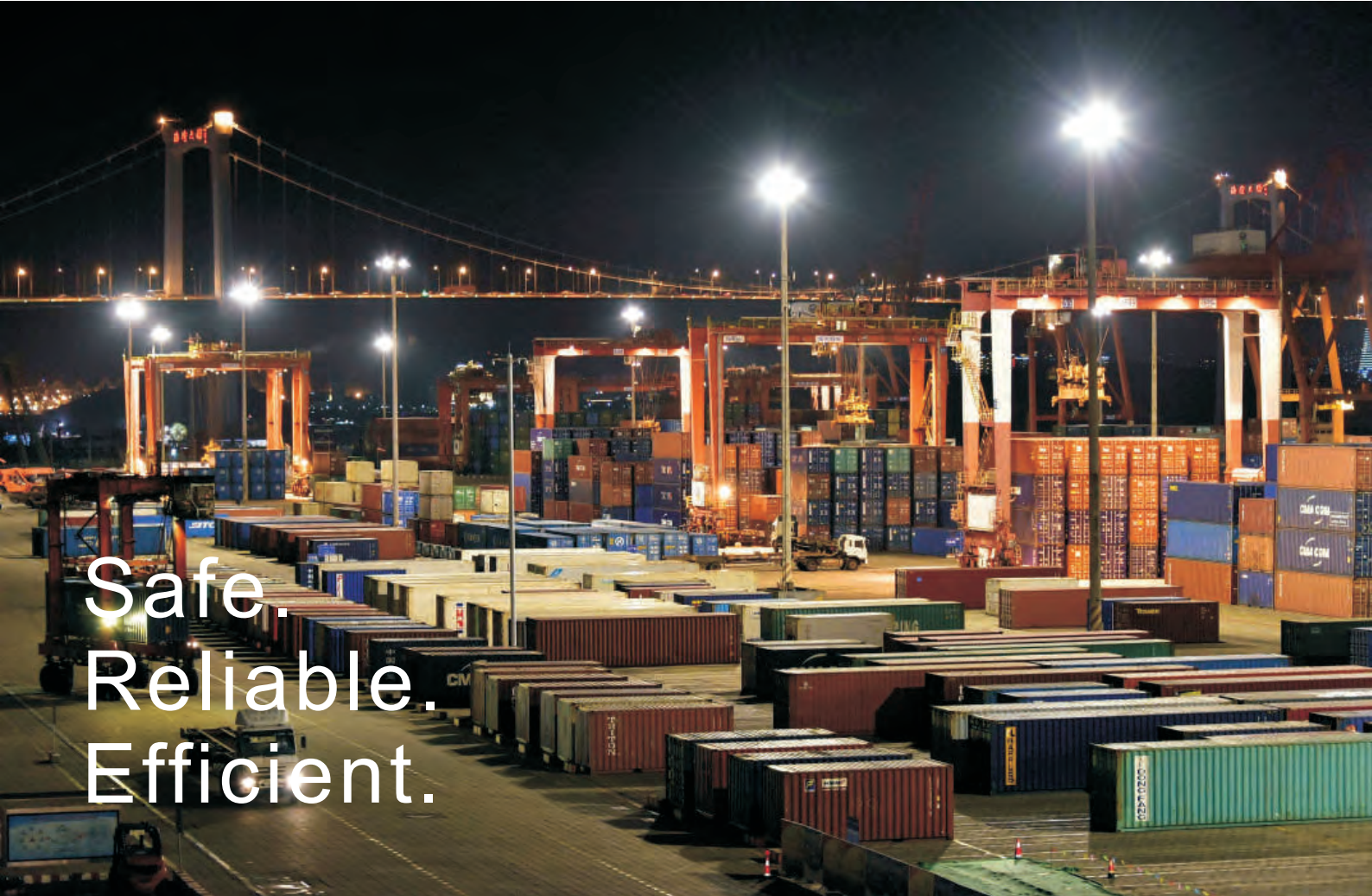


HAZARDOUS LOCATIONS LIGHT SPECIFICATION



A Series





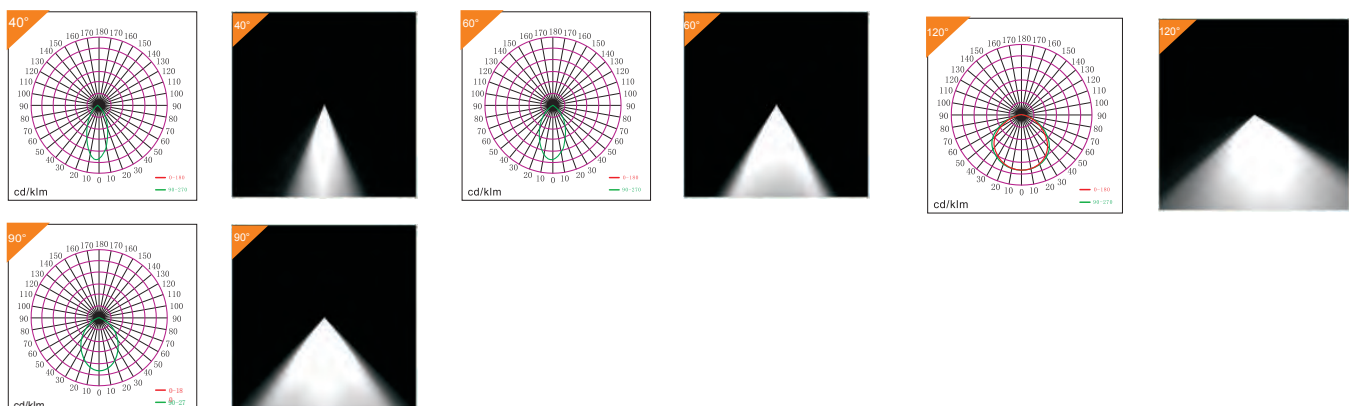
Safe.
Reliable.
Efficient.

Applications

This luminaire can be used as flood light, wall pack and area light which can provide general illumination in hazardous locations, such as:

1. Oil refineries and Gas station
2. Oil and gasoline loading dock
3. Distillerie
4. Painting manufacturing plant
5. Pumping station
6. Mine
7. Vessel
8. Other high humidity, high temperature, dusty location

Professional Light Distribution



Typical model specification

Product Number	Wattage	CCT	Voltage	Lumens	Working Hours	CRI
EX-20W A2YZDA	20	4000K-5700K	AC100-277V or AC200-480V	2800	5 years	70
EX-40W A2YZDA	40	4000K-5700K	AC100-277V or AC200-480V	5600	5 years	70
EX-60W AYZDA	60	4000K-5700K	AC100-277V or AC200-480V	8400	5 years	70
EX-80W AYZDA	80	4000K-5700K	AC100-277V or AC200-480V	11200	5 years	70
EX-100W AYZDA	100	4000K-5700K	AC100-277V or AC200-480V	14000	5 years	70
EX-120W A3YZDA	120	4000K-5700K	AC100-277V or AC200-480V	16800	5 years	70
EX-150W A3YZDA	150	4000K-5700K	AC100-277V or AC200-480V	21000	5 years	70
EX-200W A3YZDA	200	4000K-5700K	AC100-277V or AC200-480V	28000	5 years	70

"A, A2, A3"=Product series "Y"=D or N:Dimmable or non-dimmable "Z"= CCT, from 4000~5700K "D"=Beam angle: 40°, 60°, 90°, 120°

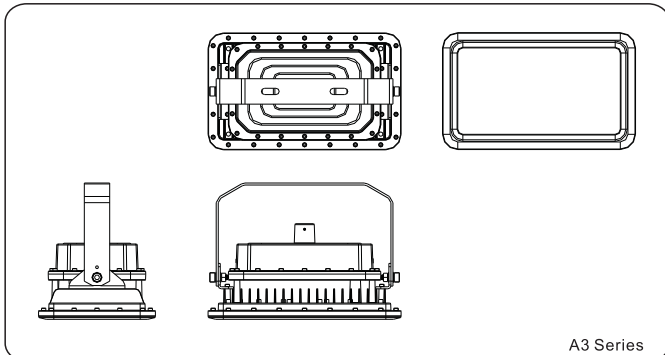
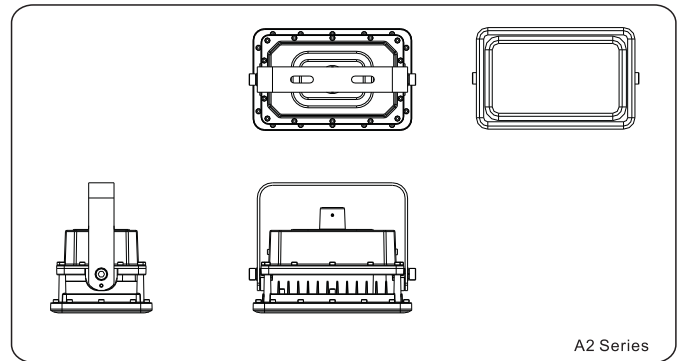
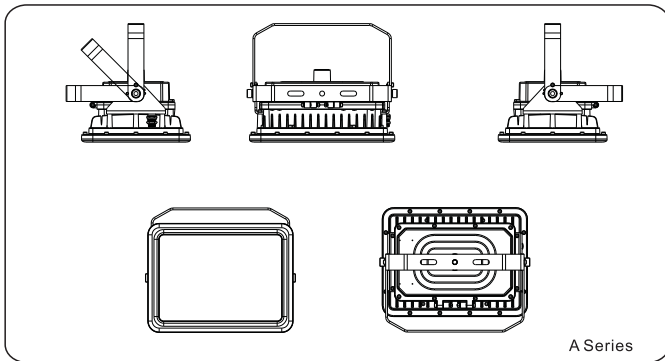
Features

- High efficacy: up to 140lm/W
- CRI>70
- Surface mounting and pendant installation
- Wide and narrow optics for uniform illumination
- Copper free aluminum
- High vibration resistance

Mechanical information

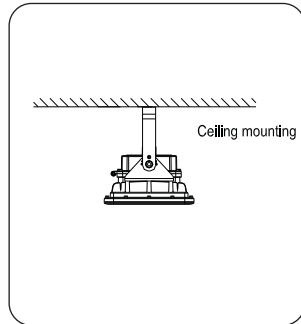
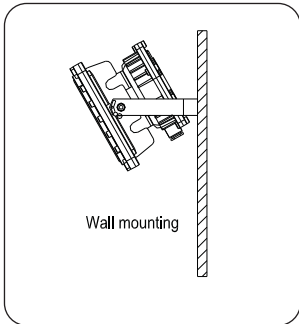
	A Size(in)	A2 Size(in)	A3 Size(in)
AC100-277V models	12.6x9.4x6.5	10.4x6.3x8.08	15x9.05x10.6
AC200-480V models	12.6x9.4x6.5	10.4x6.3x8.08	15x9.05x10.6

Structure diagram



Mounting method

Rectangle luminaire mounting



Warranty

Only offer 5 year's warranty or any other warranty period specified in the contract for the product from the date of purchase:

- Invoice or shipment bill is required to claim the warranty.
 - The warranty policy only requires manufacturer to repair the defective product or send substitute for replacement.
 - Installation labor, electricity cost and other related cost will not be covered by the manufacturer warranty policy.
 - Warranty doesn't cover the defect caused by inappropriate use, especially if directions of the instructions for use are not observed, normal abrasion as well as failures which affect the value or use of the product insignificantly.
-