

Vapor Tight LED Fixture

• INSTALLATION INSTRUCTION •

Vapor proof led light is with the design of steel cage, which makes the light more safer. With IP65, it can be applied to both dry and wet location. Metal wire pipe design use better protective wire rod, junction box, adopt traditional connection way with multi-direction for concatenation wire. The 90-180 adjustable angle enables it to fit for more applications, such as vertical installation and horizontal installation. This light fixture has advantages of wide lighting angles, high efficiency, no flickering, and long lifespan.

IMPORTANT SAFETY NOTICES:

When using electrical equipment, basic safety precautions should always be followed

WARNING: Operating temperature: -30°C to 45°C (-22° F to 113°F).

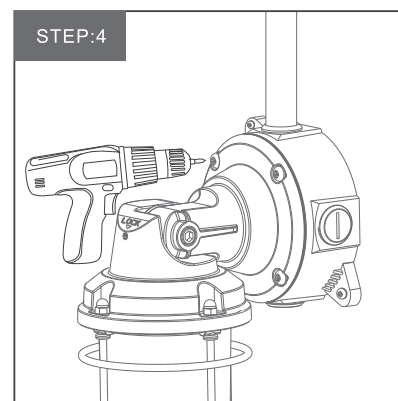
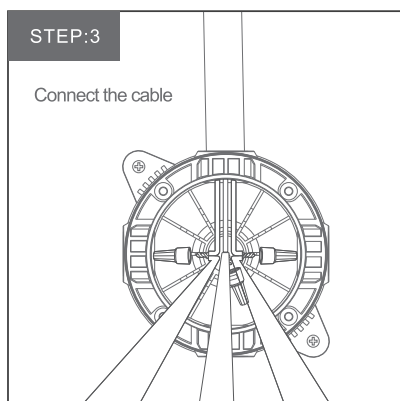
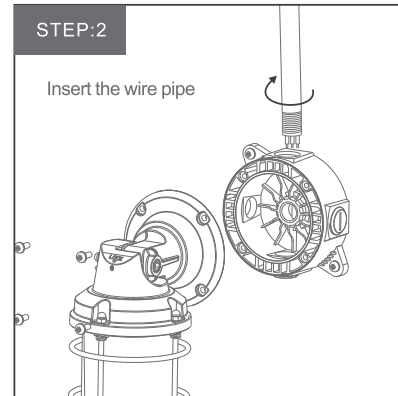
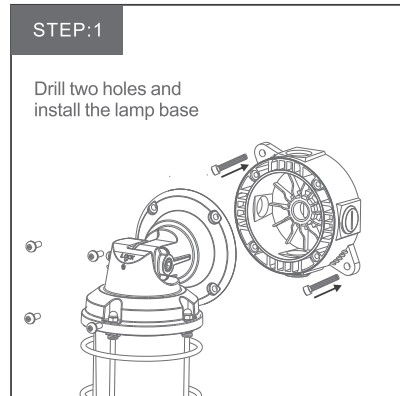
WARNING: They are suitable for dry and wet locations.

WARNING: This device can not be intended for use with emergency exits.

WARNING: Turn off the power before installation.

WARNING: The electrical rating of this product is 100-277V. Installer must confirm that there is 100-277V at the fixture before installation.

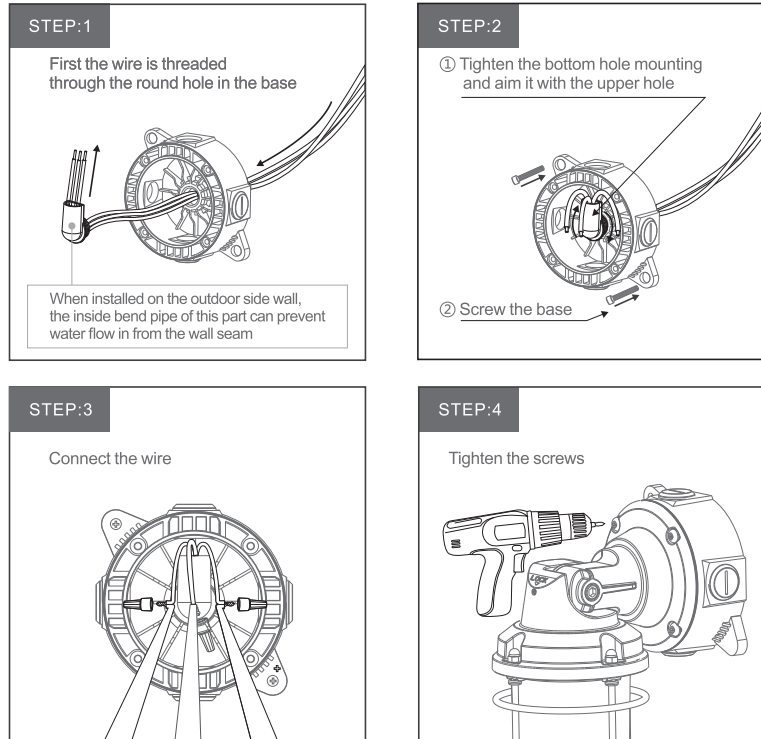
Side Conduit Entry Install



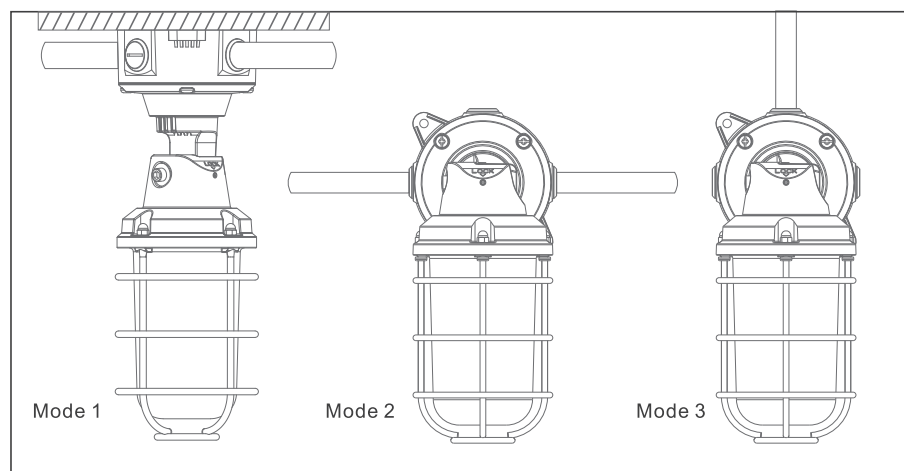
ProLED® Vapor Tight Installation Instructions



Back Conduit Entry Install



Different Orientations



BASIC PARAMETERS:

Watt	Input	Light effect	Lamp Dimension (180°)	Lamp Dimension (90°)	Operating temperature
20W	100-277 Vac	100lm/w	115x305mm	157x257mm	-30~45℃
30W	100-277 Vac	100lm/w	115x305mm	157x257mm	-30~45℃

Warranty Information:

This product is warranted for five years from the date of purchase. If this product does not perform to the specifications supplied on this package, send an email or write to the address below for product return and replacement. This replacement is the sole remedy available. Liability for incidental or consequential damage is expressly excluded. Visit www.halcolighting.com for full warranty details and compatibility information.