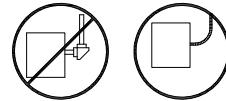


# INSTALLATION INSTRUCTIONS

## IMPORTANT SAFEGUARDS READ AND FOLLOW ALL SAFETY INSTRUCTIONS

1. Review the diagrams thoroughly before beginning.
2. All electrical connections must be in accordance with local codes, ordinances, and the National Electric code.
3. Disconnect power at fuse or circuit breaker before installing or servicing.
4. Do not use outdoors.
5. Do not mount in hazardous locations, or near gas or electric heaters.
6. Do not let power cords touch hot surface.
7. Equipment should be mounted in locations and at heights where it will not be subjected to tampering by unauthorized personnel.
8. The use of accessory equipment not recommend by the manufacturer may cause an unsafe condition.
9. Do not use this equipment for other than intended use.
10. All servicing should be performed by a qualified personnel only.
11. Allow battery to charge for 24 hours before full duration test.

Use Flexible Conduit Only



## SAVE THESE INSTRUCTIONS

### MAINTENANCE

Always disconnect power at fuse or circuit breaker before installing or servicing, servicing should be performed only by qualified personnel.

**BATTERY:** The battery no need maintenance on operation. However, it should be tested periodically (see **ROUTINE TESTING**) and replaced when it no longer meet the required duration of 30 second or 90 minutes. The battery has a life expectancy of 4 years when used in a normal ambient temperature of 72 F.

Battery have to recharge if product keep in stock over 9 months, detail manual refer "BATTERY STOCK AND RECHARGE GUIDELINE".

### OPERATION

1. Apply AC power to the unit, the indicator shows red.
2. Push the test switch, the LED indicator turns off and the LED board stays on .
3. After release the test switch, LED indicator turns back to red.

### ROUTINE TESTING

National Electric Code (NEC) and NFPA life safety code regulations require that routine tests need to be performed as below:

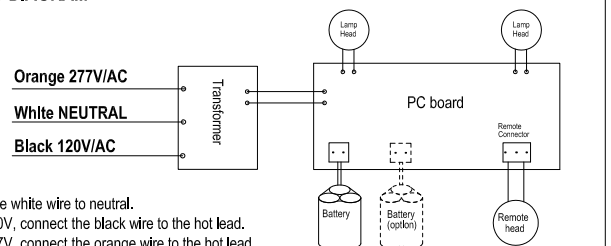
Once every month, perform 30 seconds duration test, push in and hold the test switch to perform this test. Once every 12 months, perform full 90 minutes test, disconnect AC power supply and transfer to emergency mode, the unit should stay on 90 minutes minimum.

### TROUBLE SHOOTING GUIDE

If LED board or LED indicator does not illuminate, check the following:

1. Check AC supply - verify that unit has 24 hours AC supply.
2. Battery is not connected.
3. Battery voltage too low- Permit unit to charge for 24 hours then re-test.
4. If above trouble shooting hints do not solve you problem, contact factory for assistance.

### WIRING DIAGRAM



## Wall Mounting (see Fig 2)

1. Open front cover by blade screwdriver (see Fig 1).
2. Knock out center and appropriate mounting screw holes on the back plate.
3. Remove side hole plug from housing, snap lamp heads on the unit and connect to PC board (see Fig 6).
4. Route the AC supply wires through center hole inside of housing.
5. Install fixture on the J-box.
6. Make correct electrical connections inside of fixture according wiring diagram.
7. Push excess wire into J-Box.
8. Snap chevron to EXIT panel if required.
9. Attach battery connector to PC board, restore front panel on unit.

## Ceiling Mounting (see Fig 3)

1. Attach crossbar to junction box, set the crossbar so that the short blade is touching the J-Box.
2. Open front cover by blade screwdriver.
3. If double face is desired, replace back plate with additional face plate provided.
4. Remove out the mounting hole cover on the top and side of the unit, assemble the canopy the unit (see Fig 3).
5. Snap lamp heads on the unit and connect to PC board.
6. Route the proper wires through mounting hole out of housing .
7. Make electrical connections inside the J-Box as wiring diagram.
8. Fasten crossbar on J-box by screws provided, fasten canopy to crossbar and against to the wall.
9. Snap chevron to EXIT panel if required.
10. Attach battery connector to PC board, restore front panel on unit, adjust position of lamp heads as need.

## Connecting Remote Heads (see Fig 4)

If fixture has remote capability option, Max. remote capability is 3.6VDC1.5W max.

Connect remote heads extension wire to remote wire, yellow is positive(+), purple is negative(-). connect wires using wire nuts.

Open Front Cover

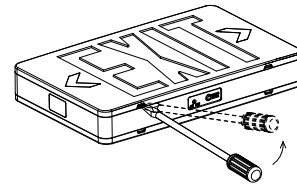


Fig 1

Wall mount

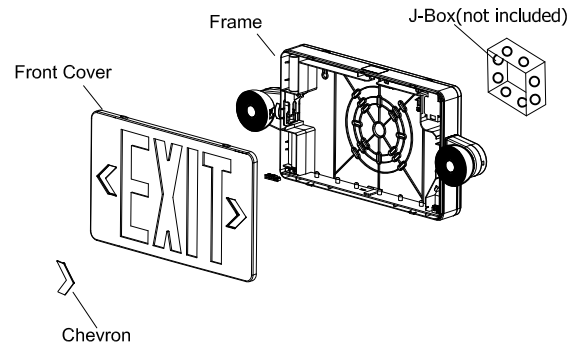


Fig 2

Ceiling mount

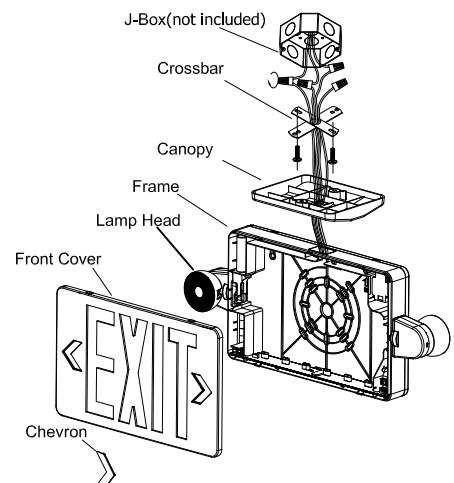


Fig 3

Connecting Battery And Remote Heads

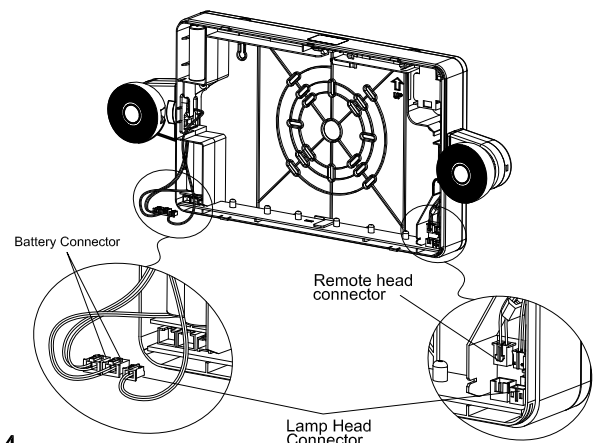


Fig 4

### Canopy Assembly

Put the canopy connector inside of housing then slider and fixed by plastic clip.

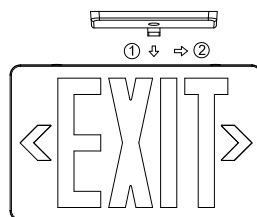


Fig 5

### Lamp Head Assembly

Assemble lamp head on main frame by plastic clip, lamp head can easy rotate to frontward or backward.

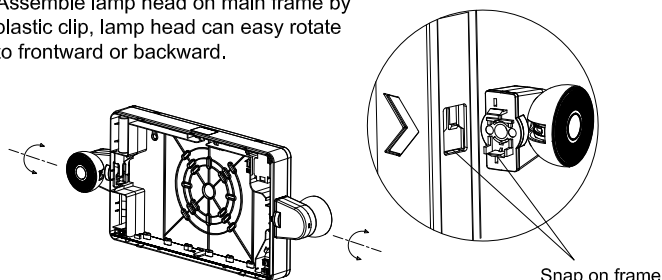


Fig 6