

Project Name: _____
Date: _____ Note: _____

## LED TRIMLESS DOWNLIGHT



**Application:** Drawing room, bedroom, corridor, administration, and business premises...



### Features

- **Tunable Color Temperature:** Adjustable settings at 2700K, 3000K, 3500K, 4000K, and 5000K
- **Durable Housing:** Made from high-quality polycarbonate engineering plastic, resistant to aging and discoloration
- **High-Performance Diffuser:** Constructed with high light transmittance polycarbonate for optimal brightness
- **Dimming Capability:** Compatible with Triac dimming systems for smooth brightness control
- **Superior Light Quality:** High luminous efficacy with excellent color rendering
- **Warranty:** Backed by a 5-year limited warranty

### Specifications

Specifications					
Model No.	HY-TLSM-R5-10W-5CCT	HY-TLSM-R7-15W-5CCT	HY-TLSM-R9-18W-5CCT	HY-TLSM-R12-24W-5CCT	HY-TLSM-S12-24W-5CCT
Size	5"	7"	9"	12"	12"
Power	10W	15W	18W	24W	24W
Lumens	650LM	945LM	1120LM	1650LM	1650LM
Input Voltage	120 VAC				
Dimming	Triac dimming				
Protection Rating	IP20 (For indoor use only)				
Beam Angle	180°				
CCT	2700K-3000K-3500K-4000K-5000K Tunable				
CRI	>80				
Working Life	Lumen maintenance over 70% @50,000+ hours				
Oper. Temperature	-13°F to 113°F (-25°C to 45°C)				
Certificate	ETL				

Project Name: \_\_\_\_\_

Date: \_\_\_\_\_ Note: \_\_\_\_\_

## LED TRIMLESS DOWNLIGHT

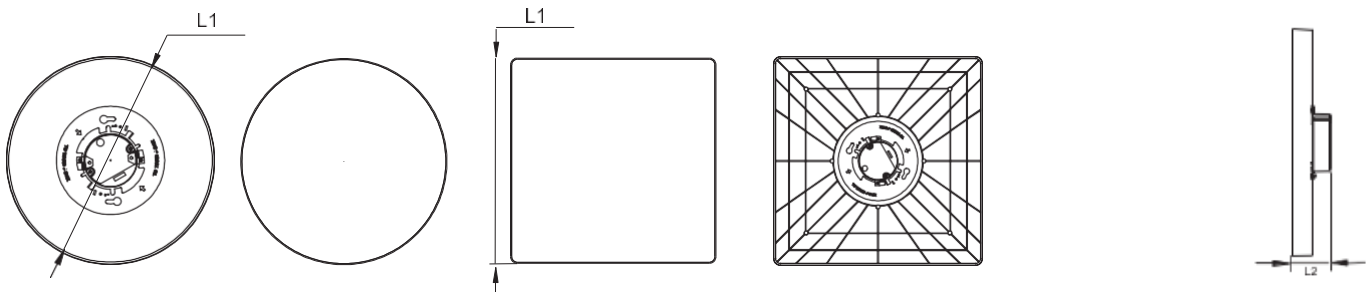
### Ordering Code Definition

Company Code	Product	Size	Power	CCT
HY	<b>TLSM:</b> LED Trimless Downlight	R5: 5" R7: 7" R9: 9" R12: 12" S12: 12"	10W 15W 18W 24W 24W	<b>5CCT:</b> 2700K-3000K-3500K-4000K-5000K

### Product Dimensions

Front View

Side View



	HY-TLSM-R5-10W-5CCT	HY-TLSM-R7-15W-5CCT	HY-TLSM-R9-18W-5CCT	HY-TLSM-R12-24W-5CCT	HY-TLSM-S12-24W-5CCT
L1	ø122mm/ø4.8"	ø172mm/ø6.77"	ø223mm/ø8.78"	ø303mm/ø11.93"	ø303mm/ø11.93"
L2	31.5mm/ø1.24"	31.5mm/ø1.24"	31.5mm/ø1.24"	45.1mm/ø1.77"	45.1mm/ø1.77"

### Package Information

Model NO	HY-TLSM-R5-10W-5CCT	HY-TLSM-R7-15W-5CCT	HY-TLSM-R9-18W-5CCT	HY-TLSM-R12-24W-5CCT	HY-TLSM-S12-24W-5CCT
Qty/Pack	20PCS	20PCS	10PCS	10PCS	10PCS
Package Size	373X311X141mm 14.7" × 12.2" × 5.5"	440X365X197mm 17.3" × 14.4" × 7.8"	440X240X247mm 17.3" × 9.45" × 9.72"	570X325X332mm 22.4" × 12.8" × 13.1"	640X280X335mm 25.2" × 11.0" × 13.2"
Package Weight	13.07LBS/6kg	17.2LBS/7.8kg	11.2LBS/5.1kg	19.6LBS/8.9kg	25.79LBS/11.7kg
Package CBM	0.01636	0.03158	0.02605	0.06143	0.06000

Project Name: \_\_\_\_\_

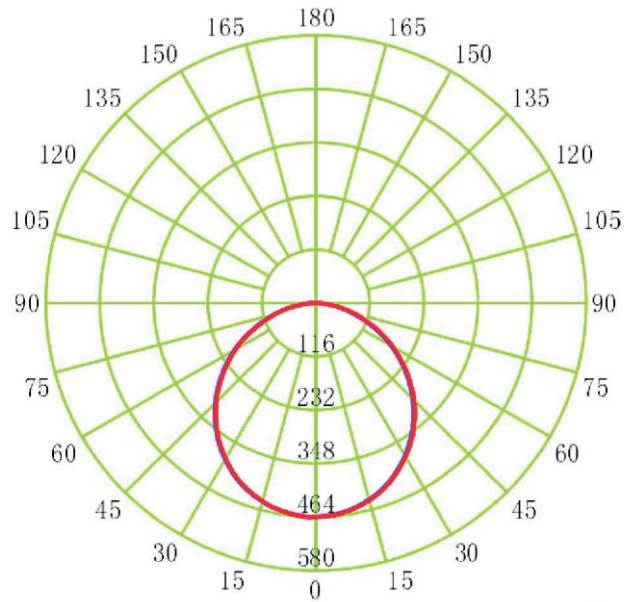
Date: \_\_\_\_\_ Note: \_\_\_\_\_

## LED TRIMLESS DOWNLIGHT

### Photometric Report

#### 9" LIGHT

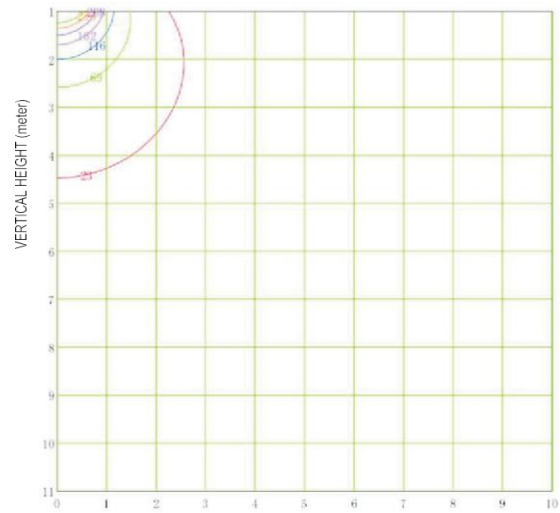
LUMINOUS INTENSITY DISTRIBUTION DIAGRAM



— C0-C180

— C90-C270

VERTICAL EQUILUMINOUS CURVE



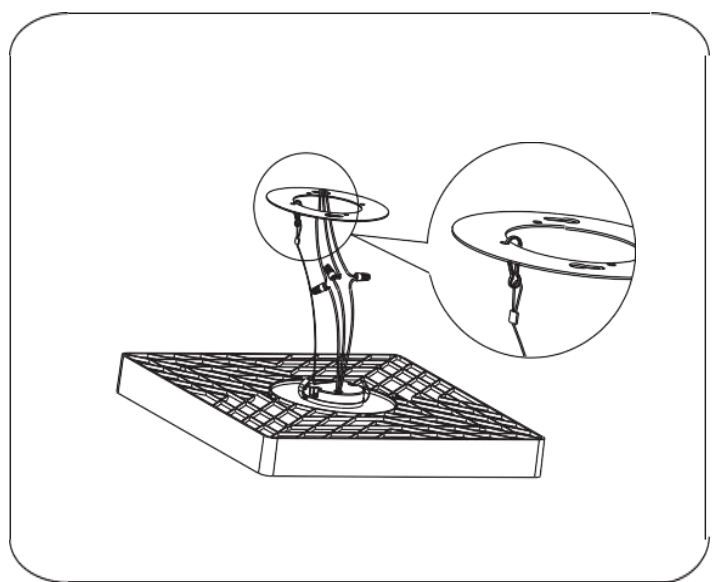
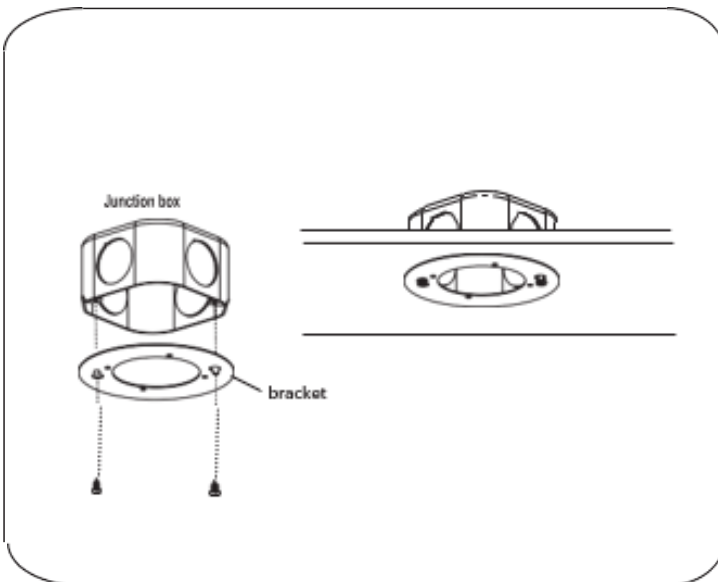
HORIZONTAL DISTANCE (meter)

MINIMUM ALTITUDE 1.0 M  
MAXIMUM ALTITUDE 11.0 M  
MAXIMUM ILLUMINATION 463.3 lx

( 5% ) : 23.2 lx  
( 25% ) : 115.8 lx  
( 45% ) : 208.5 lx  
( 65% ) : 301.1 lx

( 15% ) : 69.5 lx  
( 35% ) : 162.1 lx  
( 55% ) : 254.8 lx

### Installation

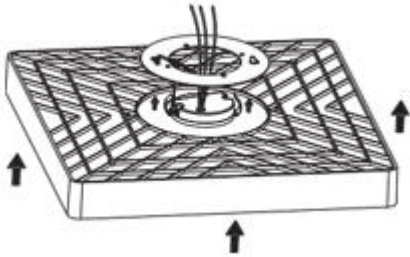


Project Name: \_\_\_\_\_

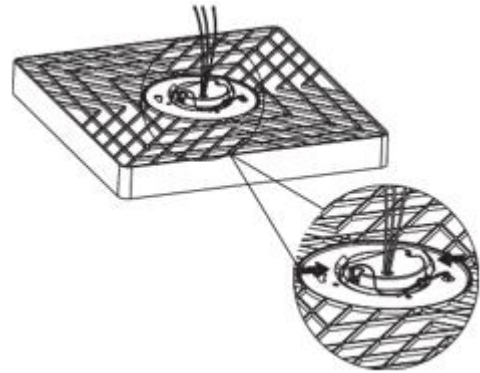
Date: \_\_\_\_\_ Note: \_\_\_\_\_

## LED TRIMLESS DOWNLIGHT

### Installation



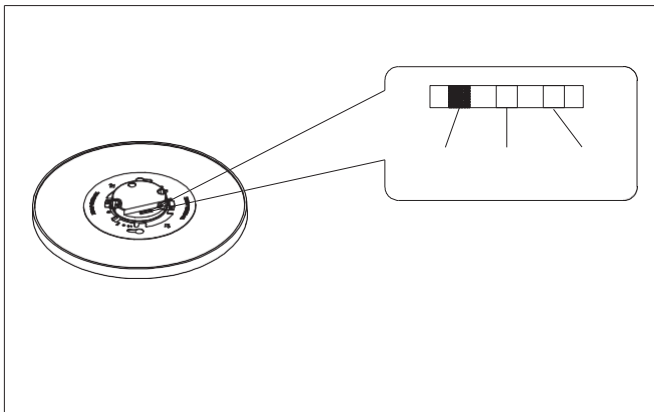
Align the light fixture with the mounting disc and push in.



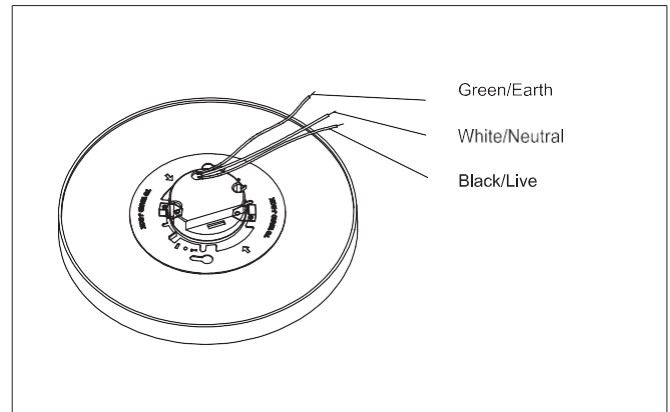
Make sure the light fixture is in place against the ceiling and complete the installation.

### Operation Guide

#### 1 CCT Adjustable



#### 2 Wiring Guide



Accessories bag includes:

