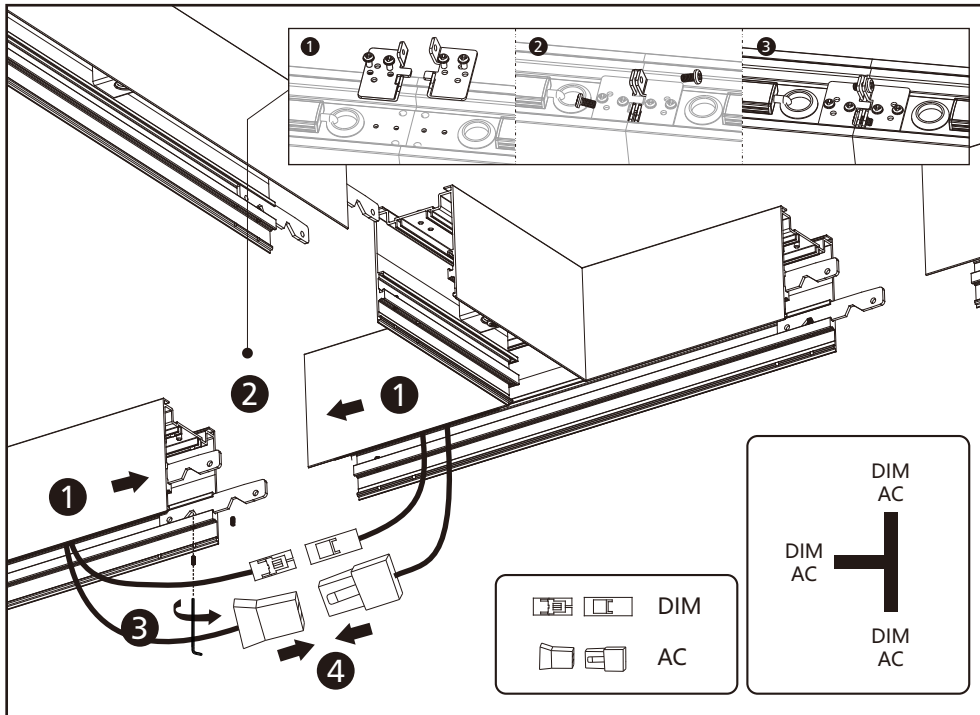
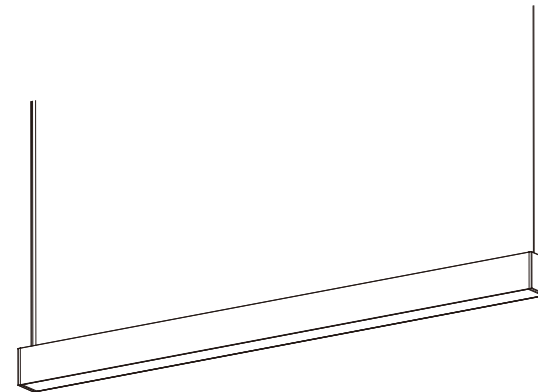


Corner "T"

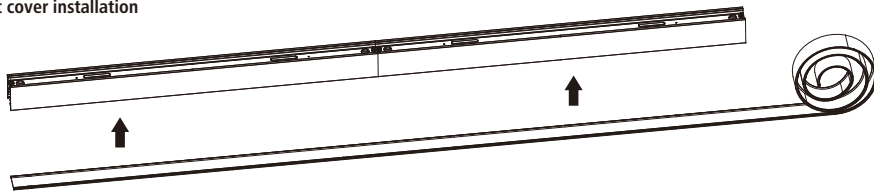


LED LINEAR USER GUIDE



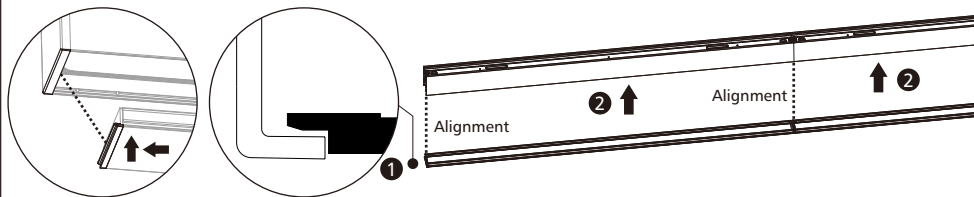
Cover installation

Soft cover installation



The soft lampshade will have a shrinkage rate of 7 / 10000 at Ta 25~45 degrees. During installation, a gap shall be reserved between the lampshade and the end cap. (Recommend max splicing length 6m with 2mm gap at both ends under Ta 25 C°, no need gap for Ta 45C°)

Fixed cover installation



LED LINEAR

■ Safety Instructions

To ensure correct function and safety, please read and follow all instructions carefully before using the product:

1. Turn off power before installation or before doing any maintenance work.
2. Do not install any luminaire near the heat source.
3. Do not exceed the nominal supply voltage or amperage ratings.
4. Dimmable version could be compatible with a wide range of recommended TRIAC dimmers.
5. All wiring and installation of the light fitting must adhere to local and national wiring rules.
6. Take care not to pull any electrical wires during unpacking as this may damage the connection.
7. Lay out all the components on a smooth surface and make sure there are no components missing before assembling.
8. To avoid injury or damage to the fitting, please ensure that power leads and screws are secure before connecting the power.
9. Please keep instructions for future reference.

■ Installation Procedure

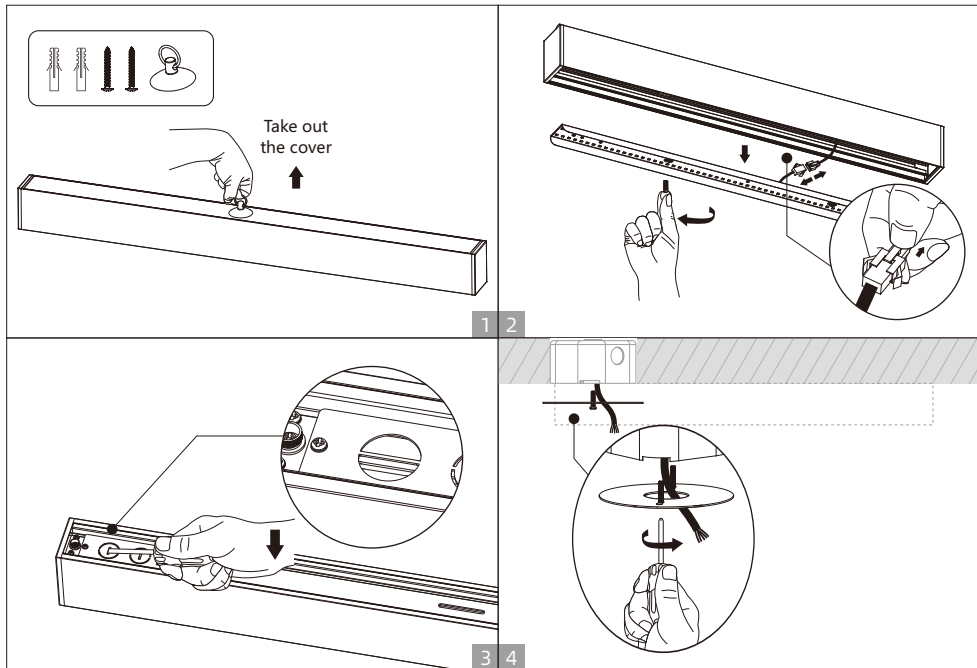
WARNING ⚡

1. Switch off before installation.
2. Switch on only after complete installation and examination of the circuit.
3. Professional electrician for installation and maintenance only.

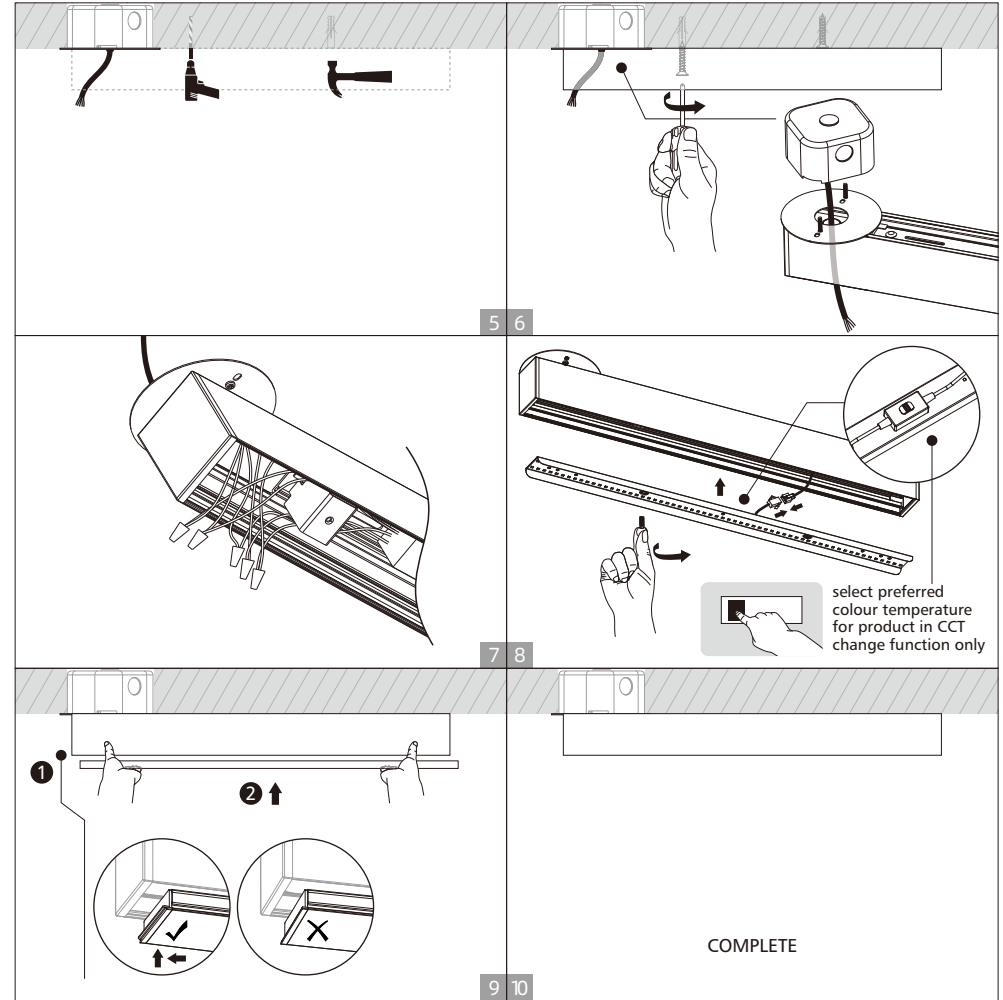


Turn Off power supply before starting any installation. Read instructions & check you have all the tools & accessories to complete the installation correctly.

■ Surface mounted installation



1

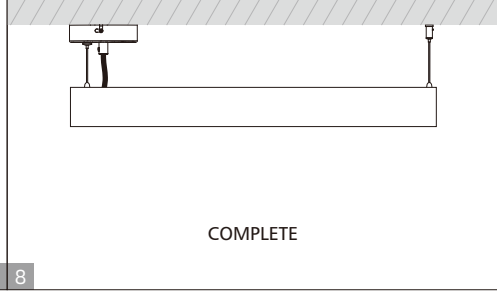
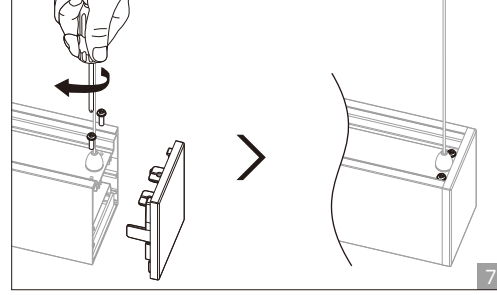
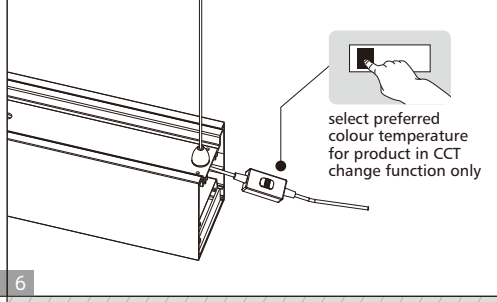
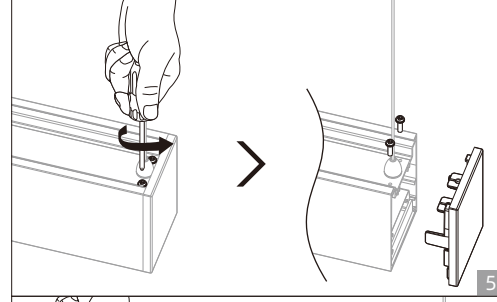
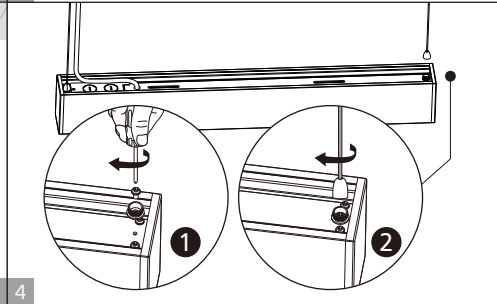
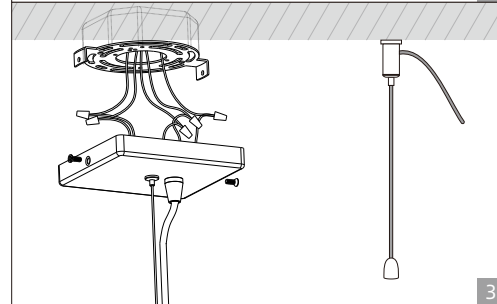
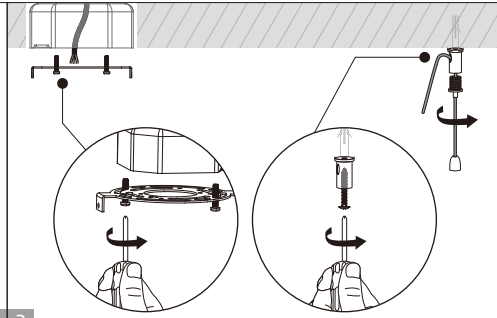
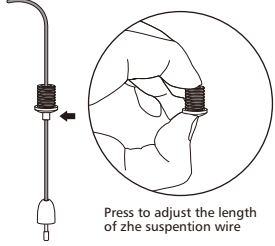
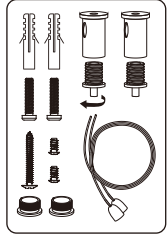


9 10

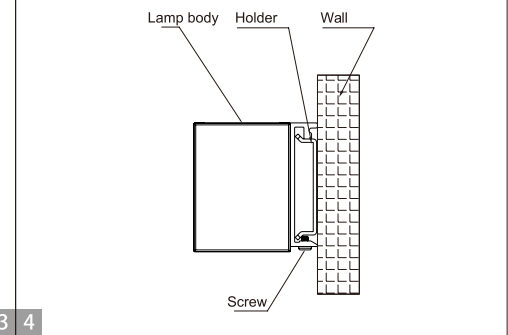
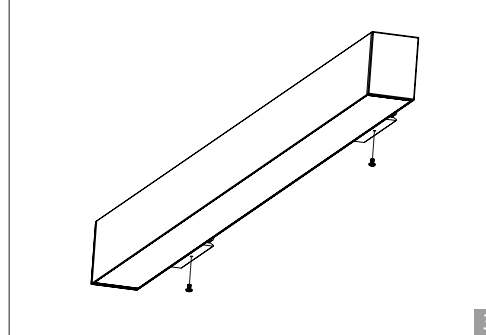
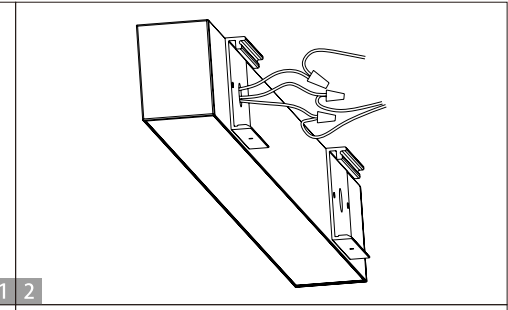
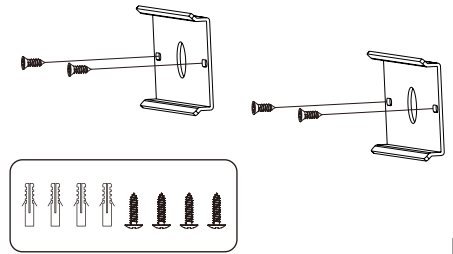
COMPLETE

2

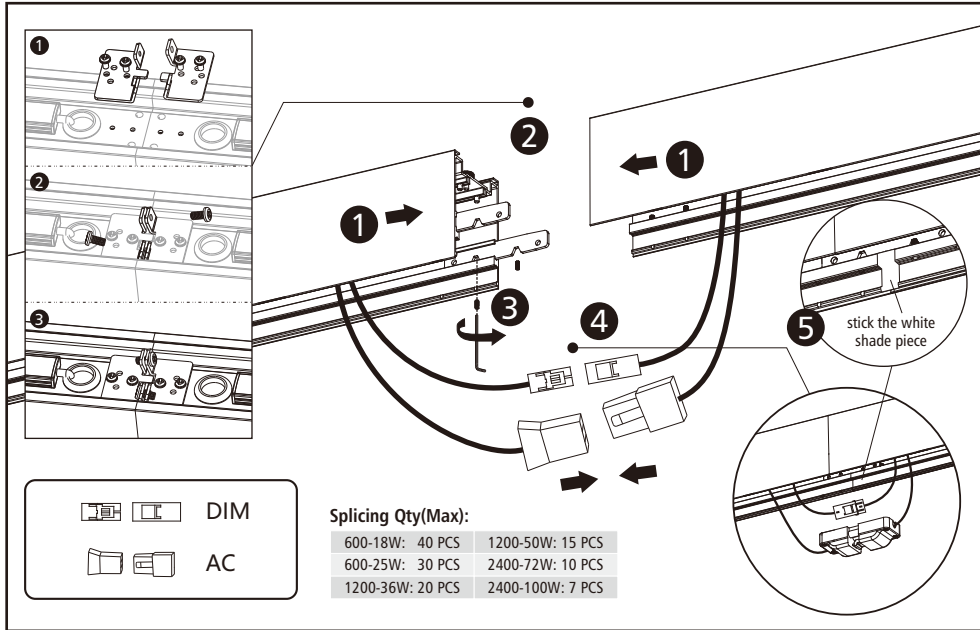
Steel wire suspension steps



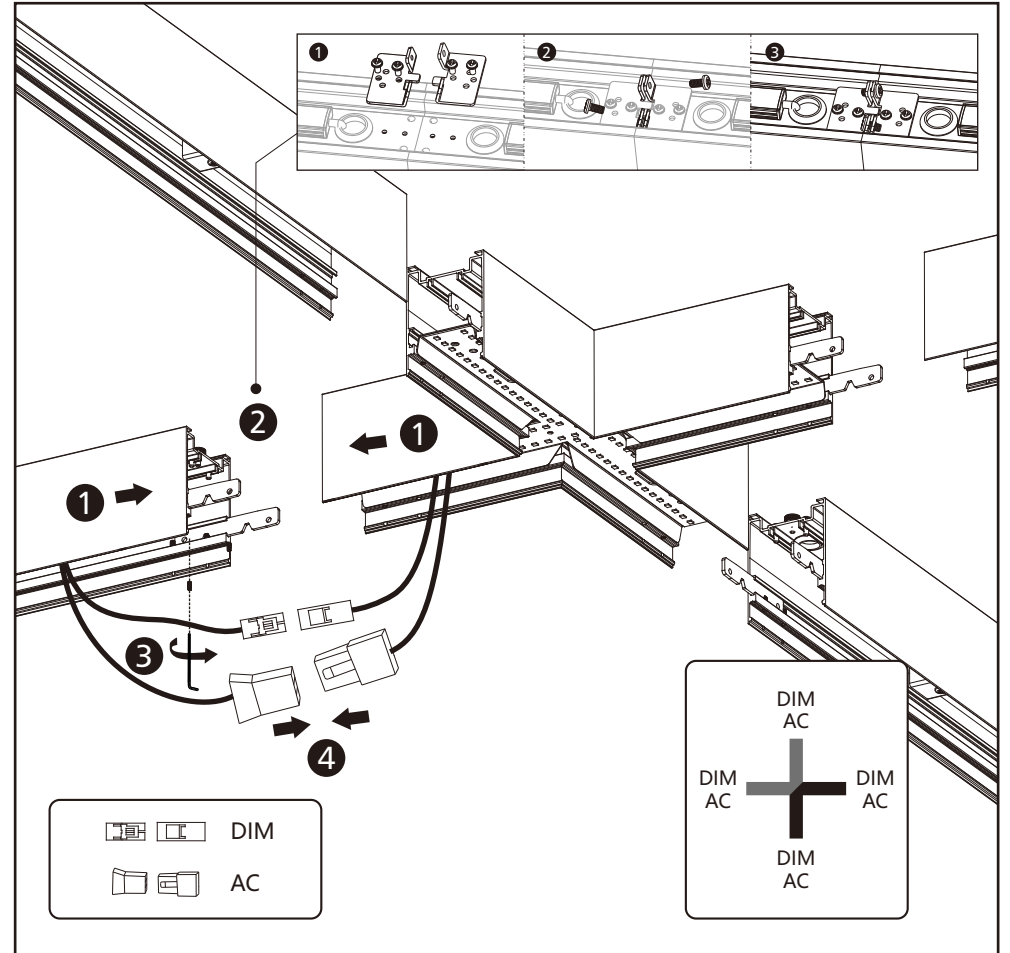
Wall mounted installation



■ Straight "—"



■ Cross "+"



■ Corner "L"

