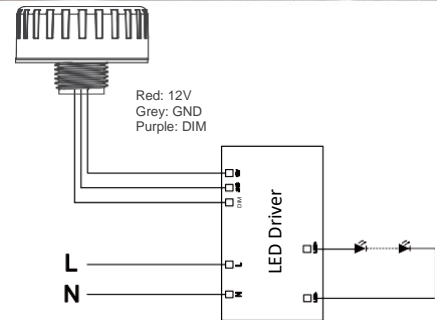
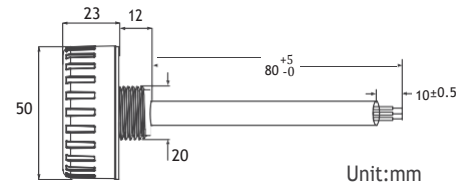
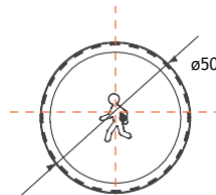


HS05

Daylight switch sensor



Wiring diagram



01 Technical data

Operating voltage	10-15V DC
Operating current	>30mA(12VDC)
Output	0-10V ON/OFF
Stand-by power	<30mA
Detection area	N/A
Hold time	N/A
Lux on preset daylight threshold	10Lux/25Lux/50Lux/100Lux/150Lux/200Lux/300Lux
Lux off preset daylight threshold	50Lux/75Lux/100Lux/200Lux/300Lux/400Lux/500Lux
Stand-by period	N/A
Stand-by dimming level	N/A
Mounting height	N/A
Detection range	N/A
Operating temperature	-20°C~+60°C
IP rating	IP65



On/off control

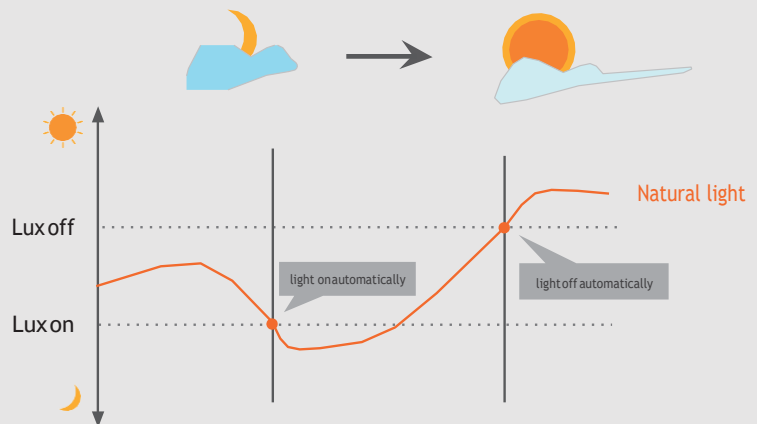


Daylight On/off control

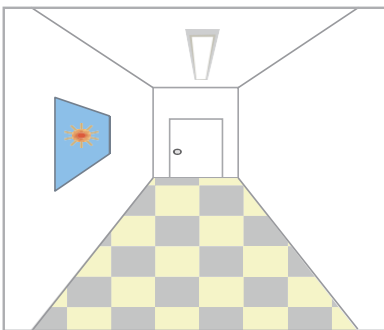


02 Lux on/off

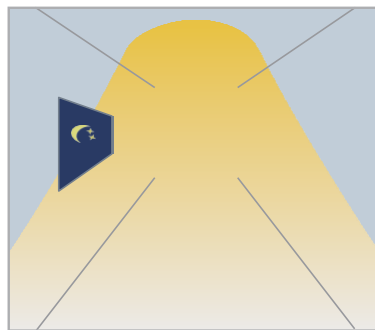
Adopted dual PD technology, HS05 is able to differentiate artificial light brightness from natural light after installed inside the fixture, and automatically turn off light when ambient brightness exceeds preset lux level.



03 Application—Lux on/off



When ambient brightness is higher than preset lux level, light will automatically turn off.



When is lower, than pre-set lux level light will turn on 100%.