

LED HIGH BAY(MHB06)



Applications:

Suitable for commercial, retail and institutional applications including gymnasiums, factories and warehouses.

Features

- Sealed die-casting profile for indoor and outdoor applications.
- 0-10V dimming standard for a dimming range of 100% to 0%.
- Best choice for replacing 250W MH and 400W MH.
- Increase energy savings with optional sensors.
- 97&215W optional for CCT dial (4000K/5000K).
- Operating temperature is -40°C to 50°C (-40°F to 122°F).
- Hook mount, pendant mount and surface mount available.




97W




215W

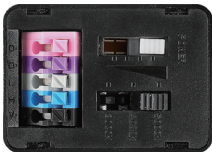




CCT&Power regulator
Offer four selectable lumen output (40%/60%/80%/100%) and two CCTs(40&50K)




Build-in sensor(optional)
Microwave sensor allows for security and energy saving.



CCT & Power Adjustable


4000K		5000K	
40%	60%	80%	100%

Installation accessory
Available for both hook mounting and surface mounting with bracket(optional). Bracket allows to adjust the direction to illuminate any area you need.

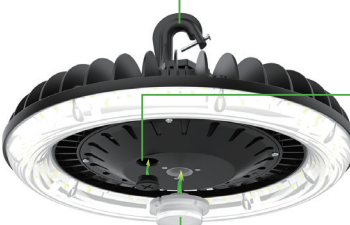


CCT&Power regulator
Offer four selectable lumen output (40%/60%/80%/100%) and two CCTs(40&50K)

External sensor(optional)
Microwave sensor allows for security and energy saving.



97W



215W

ADJUSTABLE LUMEN OUTPUT TABLE

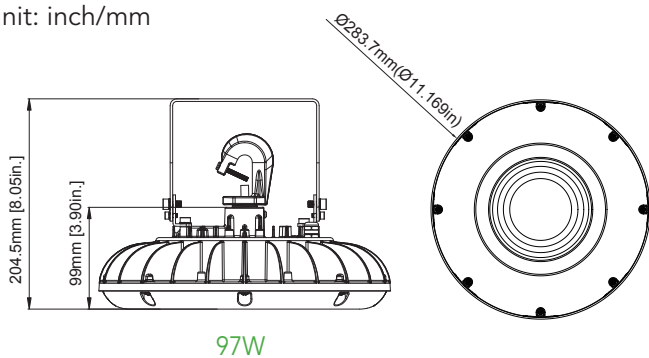
SETTING	PHOTOMETRY	VOLTAGE	97W			215W		
			SYSTEM WATTS	LUMENS (4000K)	LUMENS (5000K)	SYSTEM WATTS	LUMENS (4000K)	LUMENS (5000K)
100%	High Bay	120-277VAC	97W	12700lm	12300lm	215W	30500lm	30000lm
80%	High Bay	120-277VAC	83W	11000lm	11000lm	165W	24500lm	24000lm
60%	High Bay	120-277VAC	65W	9050lm	8900lm	127W	19500lm	19500lm
40%	High Bay	120-277VAC	45W	6680lm	6480lm	84W	13500lm	13500lm

ELECTRICAL DATA

Number Of Drivers	Driver Current (mA)	Nominal Power (W)	INPUT VOLTAGE (V)	CURRENT (Amps)
1	850	97	120	0.81
		97	208	0.47
		97	240	0.40
		97	277	0.35
1	1065	215	120	1.79
		215	208	1.03
		215	240	0.90
		215	277	0.78

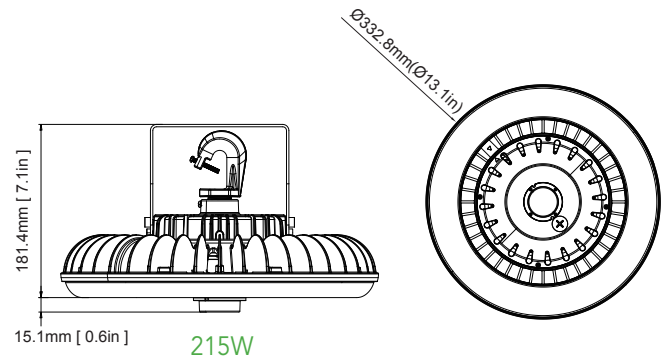
DIMENSION

unit: inch/mm



97W

Weight: 97W: 5.95 lbs(2.7kg)



215W

Weight: 215W: 6.61 lbs(3.0kg)

ACCESSORIES

<p>Built-in microwave sensor, for 97W. (US002-01VR-1)</p>	<p>External microwave sensor, for 215W. (ANT-5-4T)</p>	<p>Yoke for Surface Mount, two sizes.</p>
---	--	---

PHOTOMETRICS

General

