



PROJECT NAME

CATALOG NO.

TYPE

DATE

NOTE

## HIGH EFFICACY LED HIGH BAY

## HEBS Series

High / Low Bays

### DESCRIPTION

The Alphalite HEBS Series High Efficacy Linear LED High Bay delivers high lumen output, long life, economic solution, and no restrike time. This energy-efficient LED luminaire offers one-to-one replacement of existing HID or fluorescent high bays. Precision-formed reflectors delivers adequate light in high mounting applications. Modular driver and LED arrays. Economic solution to optimize payback. Capable of being operated with occupancy sensor

### APPLICATION

Various commercial industrial applications with high ceilings: warehouse, manufacturing facilities, retail, gymnasiums, grocery.

### SPECIFICATION FEATURES

#### Construction

Rigid, low-profile steel housing. Precision-engineered and manufactured optics to optimize light delivery to the working plane. Convenient mounting options and sufficient knockouts for controls integration and multiple connection options. Housing features radiator slots for heat dissipation and low temperature LED operation. LED module and driver are replaceable. Housing and optics maintain damp location rating with all internal components.

#### Mounting

Comes standard with V-hook and chain. Various mounting options available: surface, suspension, air craft cable, and 3/8" NPS pendent mount.

#### Finish

Highly reflectivity finish. Baked white paint, applied after fabrication.

#### Electrical

Luminaire utilizes long life, high efficacy LEDs and a highly efficient, reliable LED driver. 120V-277V input voltage for increased versatility. 0-10V continuous dimming comes standard. Ideal when used in conjunction with controls and sensors. Comes equipped with quick disconnect for compliance with US code.

#### Optics

Die formed, 95% reflectivity optical reflectors optimizes performance and light delivery. Comes standard with high transmission frosted lens.

#### Certifications / Regulatory

All components used have UL approval. UL Class 2. Power supply: SCP, OTP, OVP protection, FCC Part 15 Class B, UL8750 Class 2.

#### Warranty

7-year limited warranty. See complete warranty terms for details.



### Quick Ship Product

HEBS-2(160/140/120)/850-12V

## ORDERING INFORMATION

Sample Number: HEBS-2(160/140/120)/850-12V

HEBS	2	(160/140/120)	8	50	12V	(Blank)	(Blank)
<b>Series</b>	<b>Form</b>	<b>Lumen Package</b>	<b>CRI</b>	<b>CCT</b>	<b>Aux Power</b>	<b>Input Voltage</b>	<b>Dimming</b>
HEBS - High Efficacy LED High Bay	Factor 2 - 2' 4 - 4'	(160/140/120) - 160/140/120W adjustable (230/195/160) - 4ft 230/195/160W adjustable (400/360/270) - 400/360/270W adjustable	8 - 80+ CRI	40 - 4000K 50 - 5000K	(Blank) - without aux 12V 12V - with aux 12V	(Blank) - 120V-277V 480 - 480V	(Blank) - 0-10V Continuous Dimming

### Options

#### Accessories

- WG** - Wire Guard (see pg. 3 for details)
- PMK** - Single-point pendant mount kit
- ACC** - Aircraft cable suspension kit
- CRD-x** - SJTOW black cord, 18/3, x=length
- TLP** - Nema locking plug
- SMK** - Surface Mount Kit

#### Controls

- MMS-DC4T** - Bi-level dimming microwave motion sensor and daylight switch, field install in 5 seconds. (Required RC-100 Sensor Configuration Tool)
- MPS06** - Bi-level dimming microwave motion sensor, field install in 5 seconds. (Required RC-MPS06 Sensor Configuration Tool)
- PIR** - On/off PIR High Bay motion sensor
- PIRD** - On/off PIR High Bay motion and daylight sensor

#### Controls

- DL** - Integrated daylight harvesting
  - SMC** - Smart Control System
  - OS** - Step dimming PIR motion sensor and daylight sensor. (Requires OS-618-RC101 Sensor Configuration Tool. Not included)
  - SG10** - 10KA Surge Protection
  - 12V** - 12V Aux Output
  - SC** - MPS06 Sensor Base
- Note: only certain sensor options are DLC-qualified

#### Emergency Backup

- (Lumen will maintain over the 90-minute duration)
- EM700** - 700lm
- EM1400** - 1400lm
- EM2000** - 2000lm

#### Assembly in USA

- BAA** - Assembly in USA

SUMMARY

Input Voltage	120V-277V
Input Frequency	50/60 Hz
Power Factor	> 0.95
THD (Max.)	20%
Efficacy	> 150 LPW
Controls/ Dimming	Full Range 0-10V dimming standard
Dimming Range	10-100%
CRI	80+, R9 > 0
CCT	4000K and 5000K
Operating Temp.	-4°F to 122°F (-20°C to 50°C)
Rated Life	70,000 hours

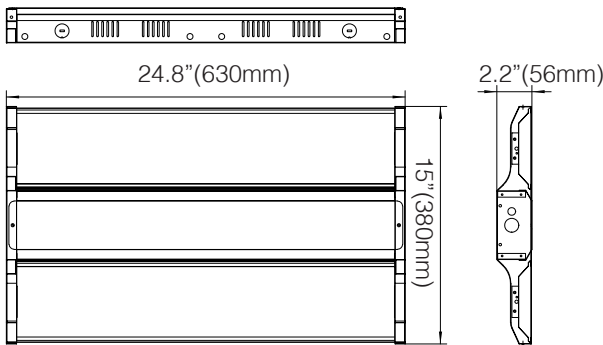
ENERGY PERFORMANCE DATA

Form Factor	Part No.	Rated Wattage (W)	Delivered Lumens (lm)	Efficacy (lm/W)
2' Frosted Lens	HEBS-2(160/140/120)	160/140/120	24000/21000/18000	150
4' Frosted Lens	HEBS-4(230/195/160)	230/195/160	34500/29250/24000	150
4' Frosted Lens	HEBS-4(400/360/270)	400/360/270	60000/54000/40500	151

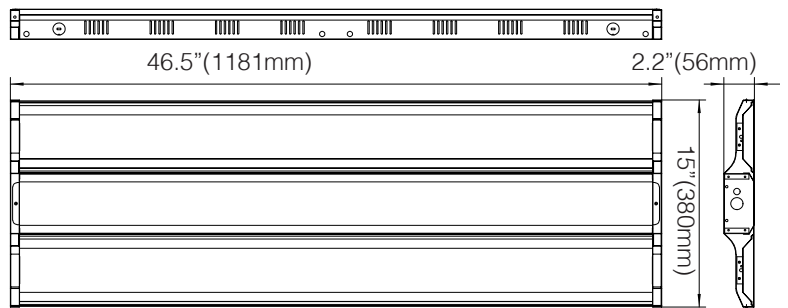
PHYSICAL PARAMETERS

DIMENSION

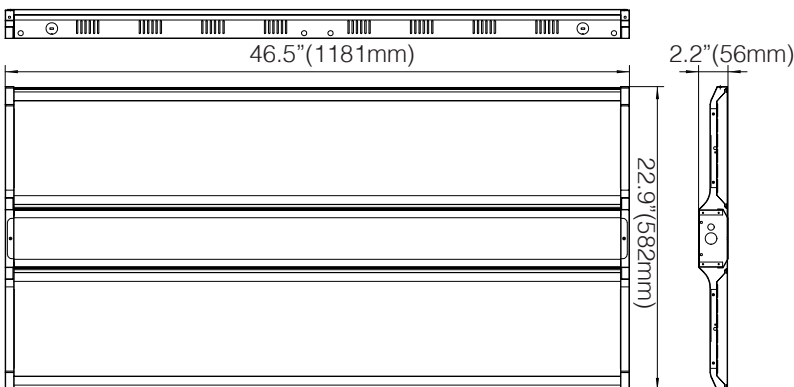
HEBS-2(160/140/120)



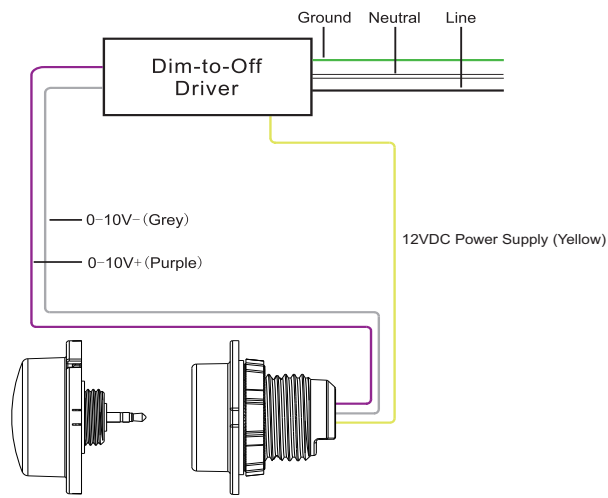
HEBS-4(230/195/160)



HEBS-4(400/360/270)



WIRING



COVERAGE

