



PROJECT NAME

CATALOG NO.

TYPE

DATE

NOTE

## HIGH EFFICACY LINEAR LED HIGH BAY

## HEB Series High Efficacy Linear LED High Bay

### DESCRIPTION

The Alphalite HEB Series High Efficacy Linear LED High Bay delivers high lumen output, long life, economic solution, and no restrike time. This energy-efficient LED luminaire offers one-to-one replacement of existing HID or fluorescent high bays. Precision-formed reflectors delivers adequate light in high mounting applications. Modular driver and LED arrays. Economic solution to optimize payback. Capable of being operated with occupancy sensor



### APPLICATION

Various commercial industrial applications with high ceilings: warehouse, manufacturing facilities, retail, gymnasiums, grocery.



### SPECIFICATION FEATURES

#### Construction

Rigid, low-profile steel housing. Precision-engineered and manufactured optics to optimize light delivery to the working plane. Convenient mounting options and sufficient knockouts for controls integration and multiple connection options. Housing features radiator slots for heat dissipation and low temperature LED operation. LED module and driver are replaceable. Housing and optics maintain damp location rating with all internal components.

#### Mounting

Comes standard with V-hook and chain. Various mounting options available: surface, suspension, air craft cable, and 1/2" NPS pendent mount.

#### Finish

Highly reflectivity finish. Baked white paint, applied after fabrication.

#### Electrical

Luminaire utilizes long life, high efficacy LEDs and a highly efficient, reliable LED driver. 120V-277V input voltage for increased versatility. 0-10V continuous dimming comes standard. Ideal when used in conjunction with controls and sensors. Comes equipped with quick disconnect for compliance with US code.

#### Optics

Die formed, 95% reflectivity optical reflectors optimizes performance and light delivery. Comes standard with high transmission clear 90° optic. Frosted lens option available.

#### Certifications / Regulatory

All components used have UL approval. UL Class 2. Power supply: SCP, OTP, OVP protection, FCC Part 15 Class B, UL8750 Class 2.

#### Warranty

7-year limited warranty. See complete warranty terms for details.

### Quick Ship Product

- HEB2-101/840
- HEB2-101/850
- HEB2-141/840
- HEB2-141/850
- HEB4-201/840
- HEB4-201/850
- HEB4-281/850

## ORDERING INFORMATION

Sample Number: HEB4-201/850

HEB	4	201	8	50	(Blank)	(Blank)	(Blank)
<b>Series</b>	<b>Form Factor</b>	<b>Lumen Package</b>	<b>CRI</b>	<b>CCT</b>	<b>Input Voltage</b>	<b>Dimming</b>	<b>Optic</b>
HEB = High Efficacy Linear High Bay	2 = 2' 4 = 4'	2' length: 81 = 81W 141 = 141W 4' length: 201 = 201W 281 = 281W	8 - 83+ CRI	40 - 4000K 50 - 5000K	(Blank) - 120V-277V 480 - 480V	(Blank) - 0-10V Continuous Dimming	(Blank) - clear 90° optic FRST - Frosted Lens (see pg. 3 for details)

### Options

#### Accessories

WG = Wire Guard (see pg. 3 for details)  
PMK = Single-point pendant mount kit  
ACC = Aircraft cable suspension kit  
CRD-x = SJTOW black cord, 18/3, x=length  
TLP = Nema locking plug

#### Controls

PIR = PIR Occupancy On/Off Sensor  
OS - Integrated step dimming PIR occupancy sensor  
DL - Integrated daylight harvesting  
SMC - Smart Control System

#### Emergency Backup

EM700 - 700lm  
EM1400 - 1400lm  
EM2000 - 2000lm

SUMMARY

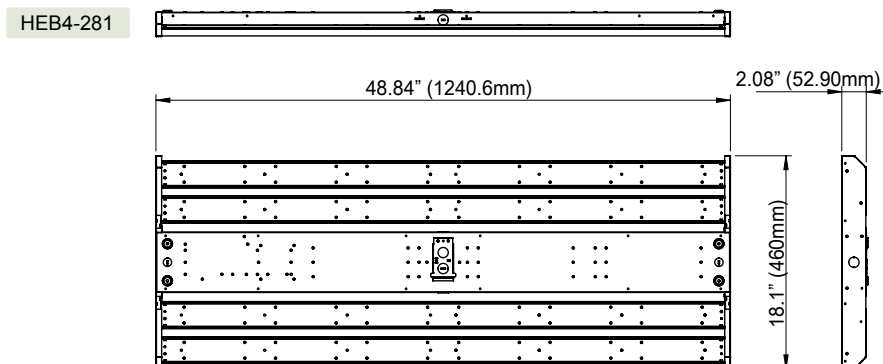
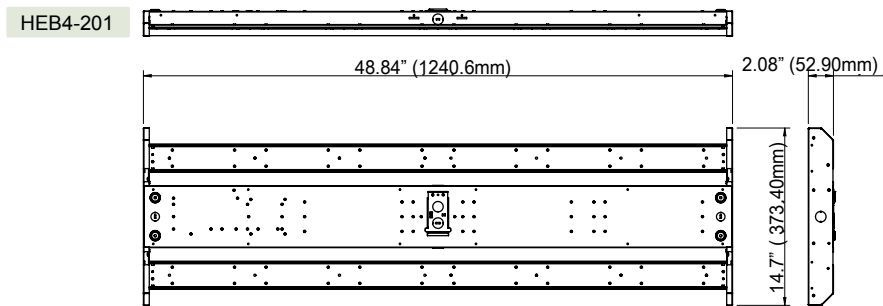
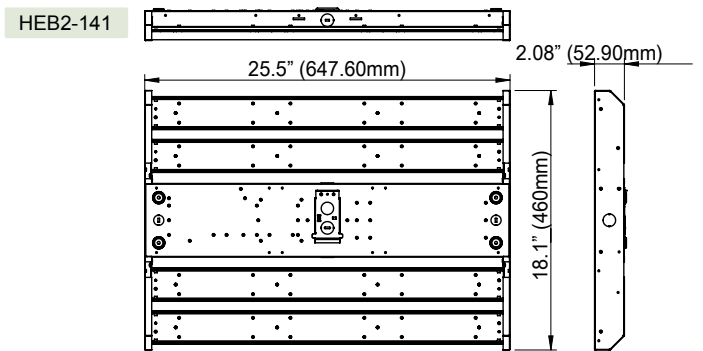
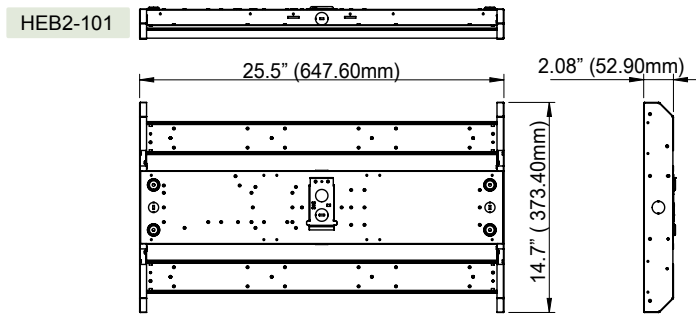
Input Voltage	120V-277V
Input Frequency	50/60 Hz
Power Factor	> 0.95
THD (Max.)	20%
Efficacy	> 150 LPW
Controls/ Dimming	Full Range 0-10V dimming standard
Dimming Range	10-100%
CRI	83+, R9 > 0
CCT	4000K and 5000K
Operating Temp.	-20- +55C
Rated Life	70,000 hours

ENERGY PERFORMANCE DATA

Form Factor	Part No.	Rated Wattage (W)	Tested Wattage (W)	Delivered Lumens (lm)	Efficacy (lm/W)
2' clear 90° optic	HEB2-101/840	101	101	15119	150
	HEB2-101/850			15291	151
	HEB2-141/840	141	141	21403	153
	HEB2-141/850			21643	153
4' clear 90° optic	HEB4-201/840	201	201	29647	148
	HEB4-201/850			29989	149
	HEB4-281/840	281	281	42515	151
	HEB4-281/850			43077	153

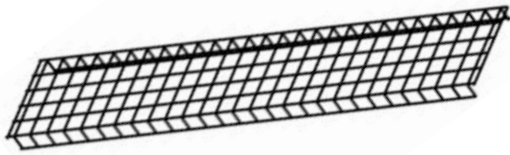
PHYSICAL PARAMETERS

DIMENSION



ACCESSORY

Wire Guard



Part # for ordering separately:  
 HEB-WG-2L2M (Wire guard for HEB2-101)  
 HEB-WG-2L4M (Wire guard for HEB2-141)  
 HEB-WG-4L2M (Wire guard for HEB4-201)  
 HEB-WG-4L4M (Wire guard for HEB4-281)

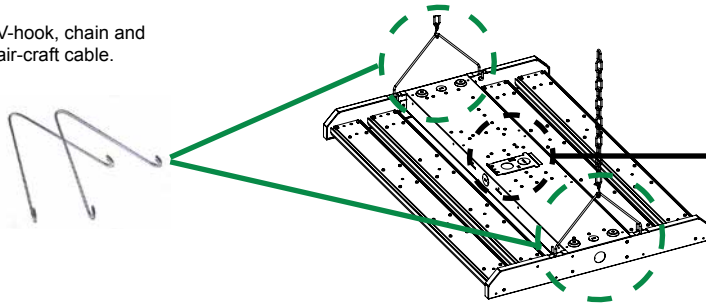
Lens



Part # for ordering separately:  
 (2) LN-HEB2/FRST (Lens and qty for HEB2-101)  
 (4) LN-HEB2/FRST (Lens and qty for HEB2-141)  
 (2) LN-HEB4/FRST (Lens and qty for HEB4-201)  
 (4) LN-HEB4/FRST (Lens and qty for HEB4-281)

Mounting

V-hook, chain and air-craft cable.



Pendant Hanger



WIRELESS SMART CONTROL SYSTEM (ASMC)

The Alphalite Wireless Smart Control System is an ideal choice to provide convenient control of lighting. The LED controller uses wireless technology to communicate with other self-powered products in the system and provides an amazingly simple solution for dimming control of LED lighting

APPLICATION

Versatile solution for general purpose applications. Ideal for multi level building, offices, school, warehouse, manufacturing facilities, and spaces that demand energy demand reduction and high quality light.

BENEFITS

- Reliable, longer indoor range wireless communication
- Easy Design-in
- License-free
- Self-powered
- Lower energy costs
- Lower installation costs
- Strength of interoperability
- Convenient access to replaceable, standard components reduces life cycle costs

