

UFO HIGH BAY INSTALLATION INSTRUCTIONS

IMPORTANT

READ CAREFULLY BEFORE INSTALLING FIXTURE. RETAIN THESE INSTRUCTIONS FOR FUTURE REFERENCE.

Fixtures must be wired in accordance with the National Electrical Code and all applicable local codes. Proper grounding is required for safety. THIS PRODUCT MUST BE INSTALLED IN ACCORDANCE WITH THE APPLICABLE INSTALLATION CODE BY A PERSON

FAMILIAR WITH THE CONSTRUCTION AND OPERATION OF THE PRODUCT AND THE HAZARDS INVOLVED.

WARNING: Make certain power is OFF before installing or maintaining fixture. No user serviceable parts inside.

FIXTURE MOUNTING

1) U Bracket MOUNTING:

CAUTION: Suitable for DAMP LOCATION OR INDOOR APPLICATIONS with Mounting bracket.

Follow Mounting directions as in Fig. 1

1. Mount the U-bracket to the canopy structure (U bracket is adjustable upon request for fixture angle)
2. Connect driver with external input wire
3. Fix safety chain with fixture body and canopy structure.

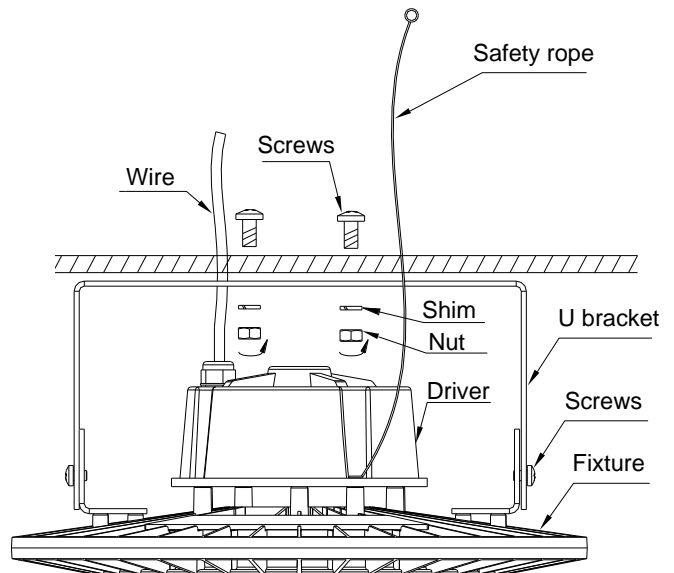


Fig.1

2) LOOP MOUNTING.

1. Use hanging chain or hook or anything else upon necessary.
2. Make sure safety rope is applied for supplemental safety support for the fixture.

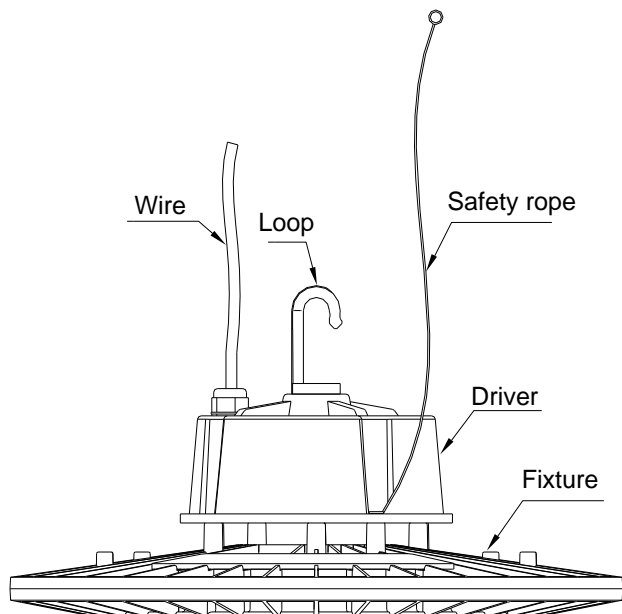


Fig.2

UFO HIGH BAY INSTALLATION INSTRUCTIONS

WIRING

Universal voltage driver permits operation at 120V thru 277V, 50 or 60 Hz. Follow wiring directions as in Fig. 3.

1. Connect the black fixture lead to the (+) LINE supply lead.
2. Connect the white fixture lead to the (-) COMMON supply lead.
3. Connect the GROUND wire from fixture to supply ground.

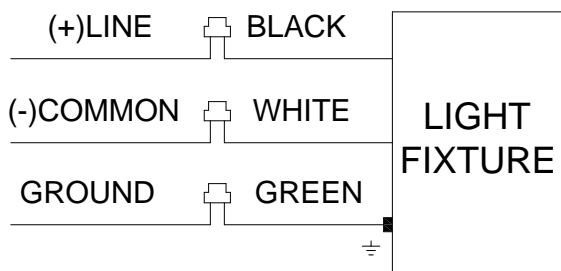


Fig.3

0-10V DIMMABLE WIRING

Universal voltage driver permits operation at 120V thru 277V, 50 or 60 Hz. A 5-wire cord is provided. For 0-10V Dimming, follow the wiring directions as in fig. 4.

1. Connect the black fixture lead to the (+) LINE supply lead.
2. Connect the white fixture lead to the (-) COMMON supply lead.
3. Connect the GROUND wire from fixture to supply ground. Do NOT connect the GROUND of the dimming fixture to the output.
4. Connect the purple fixture lead to the (V+) DIM lead.
5. Connect the gray fixture lead to the (V-) DIM lead.
6. Cap the yellow fixture lead, if present. Do NOT connect.

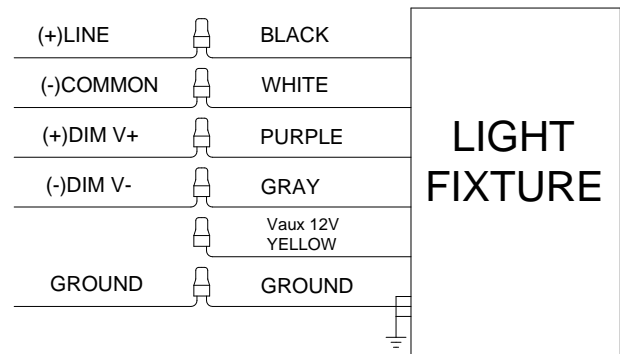


Fig.4

CLEANING & MAINTENANCE

CAUTION: Be sure fixture temperature is cool enough to touch. Do not clean or maintain while fixture is energized.

1. Clean glass lens & fixture with non-abrasive glass cleaning solution.
2. Do not open fixture to clean the LED. Do not touch the LED.

TROUBLESHOOTING

1. Check that the line voltage at fixture is correct. Refer to wiring directions.
2. Is the fixture grounded properly?

Note: These instructions do not cover all details or variations in equipment, nor do they provide for every possible situation during installation operation or maintenance.