

## LED Temporary Work Light Series



150W

100W

60W

### FEATURES

- Various M8 screw threads for options
- Hanging hole added on the handle to fix the fixture for option
- High elasticity PC material to consolidate the bottom of the cage
- Air convection design between up and down of the lamp, promoting the heat dissipation function
- 277V indicator light
- 50,000 hours lifetime

### SUITABLE APPLICATIONS

- Warehouses
- Stadiums
- Factories
- Supermarkets
- Logistic Centers
- Exhibition Halls

### CONSTRUCTION:

Fixture body and endcaps are fabricated from aluminum for maximum rigidity. Lightweight aluminum heat sink designed to perform naturally convective cooling.

### OPTICAL SYSTEM:

Samsung 2835 LED chips. General, medium, aisle distributions available to meet both horizontal and vertical light level requirements. Injection molded refractors for repeatable photometry.

### ELECTRICAL:

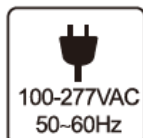
Uses a 90°C-case temperature driver for maximum life at high temperatures. 0.90 power factor. Available as 100-277V input. 6FT power cord comes standard. This luminaire could be linkable 60W max link 10 pcs; 100W max link 6 pcs; 150W max link 4 pcs.

### WARRANTY:

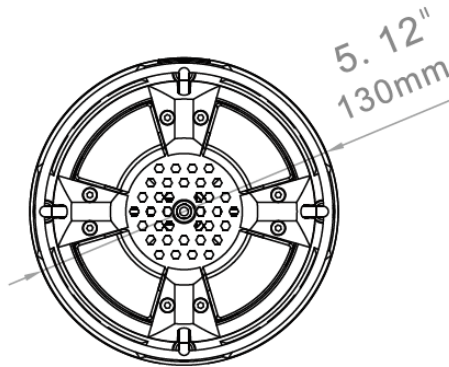
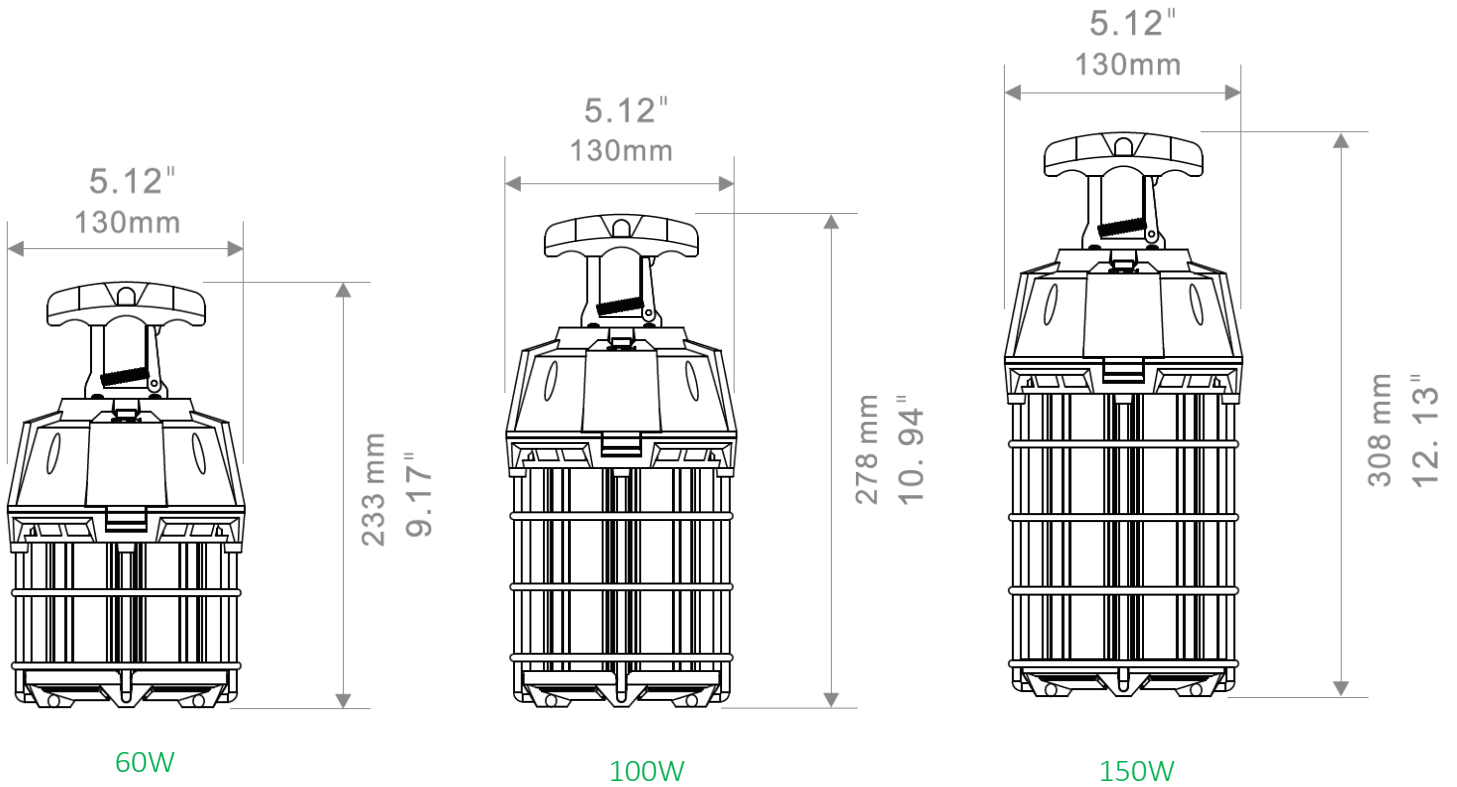
5-year limited warranty. Actual performance may differ as a result of end-user environment and application.



MODEL NUMBER – 5,000K	WATTAGE	LUMENS	EFFICACY	TEMPERATURE	REPLACES
GKT20-60W-01	60W	7,200LM	126LM/W	-30°C to 45°C	200W
GKT20-100W-01	100W	12,000LM	132LM/W	-30°C to 45°C	400W
GKT20-150W-01	150W	18,000LM	132LM/W	-30°C to 45°C	600W



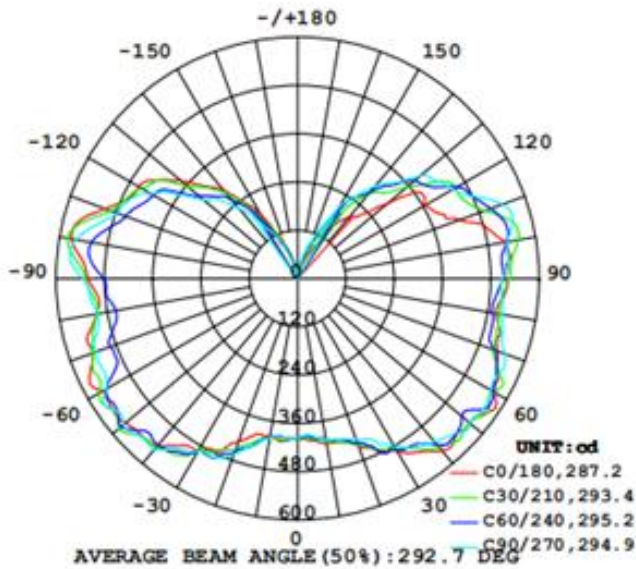
# MEASUREMENTS



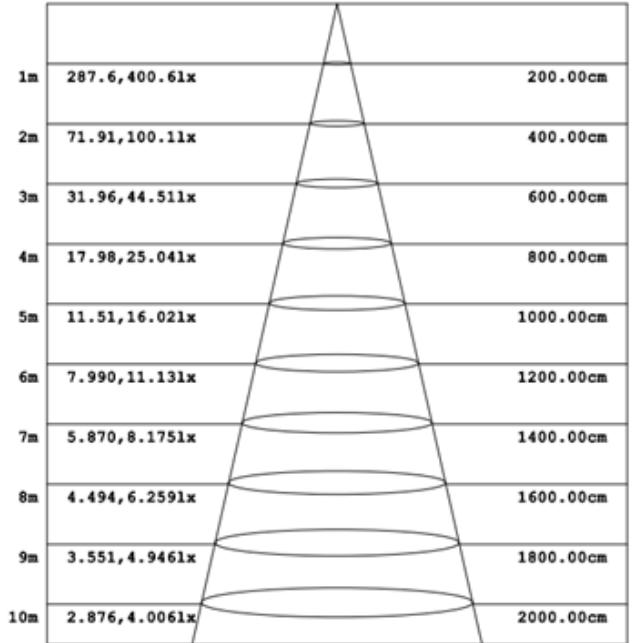
MODEL	QUANTITY	NET WEIGHT
GKT20-60W-01	1	3.13 lbs
GKT20-100W-01	1	3.51 lbs
GKT20-150W-01	1	4.85 lbs

## 60W

LUMINOUS INTENSITY DISTRIBUTION DIAGRAM



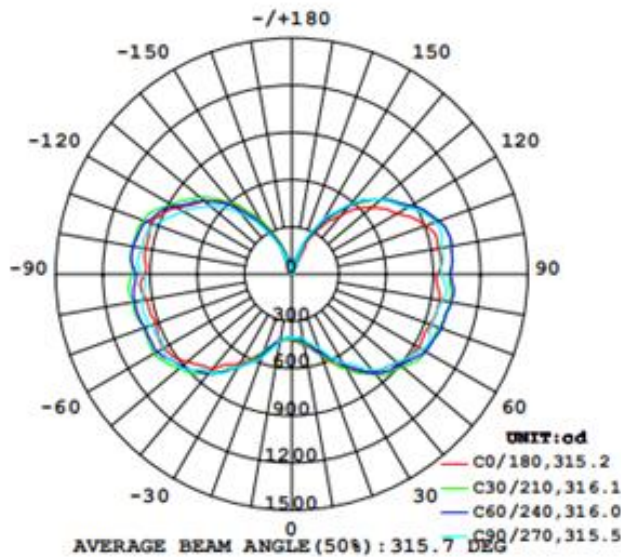
Flux out:903.6 lm



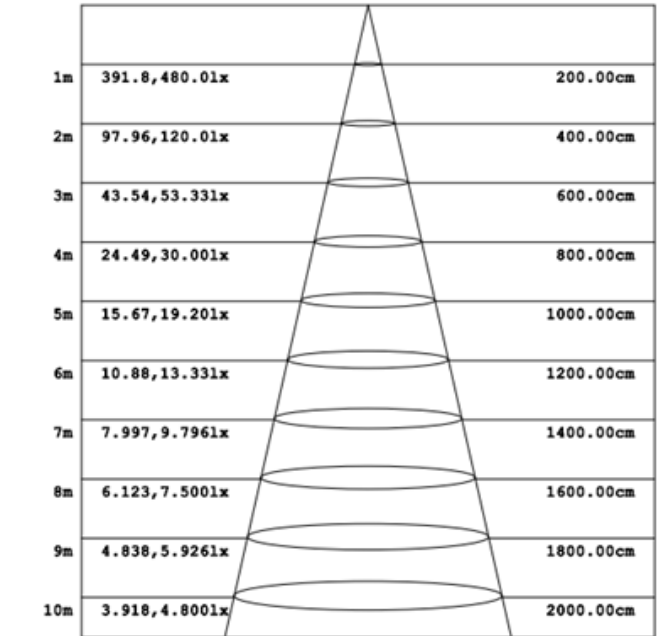
Note: The Curves indicate the illuminated area and the average illumination when the luminaire is at different distance.

## 100W

LUMINOUS INTENSITY DISTRIBUTION DIAGRAM



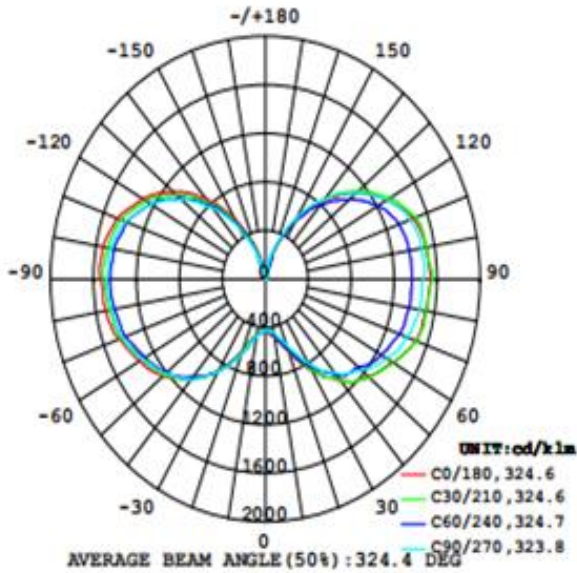
Flux out:1231 lm



Note: The Curves indicate the illuminated area and the average illumination when the luminaire is at different distance.

# 150W

## LUMINOUS INTENSITY DISTRIBUTION DIAGRAM



Flux out: 1231 lm

Height	Eavg, Emax	Angle: 90.00deg	Diameter
1m	391.8, 480.0lx		200.00cm
2m	97.96, 120.0lx		400.00cm
3m	43.54, 53.33lx		600.00cm
4m	24.49, 30.00lx		800.00cm
5m	15.67, 19.20lx		1000.00cm
6m	10.88, 13.33lx		1200.00cm
7m	7.997, 9.796lx		1400.00cm
8m	6.123, 7.500lx		1600.00cm
9m	4.838, 5.926lx		1800.00cm
10m	3.918, 4.800lx		2000.00cm

Note: The Curves indicate the illuminated area and the average illumination when the luminaire is at different distance.

