

8" CIRCULAR LED KITS

1600 AND 2200 LUMEN OPTIONS

FUTURE FIT

LED KITS

DESCRIPTION

Pre-assembled UL 1598C Classified LED retrofit kit. Includes the following components:

- (1) LED Driver • (1) LED Module • (1) Metal Pan • Mounting Accessories (Threaded Rod, Mounting Hardware, and Wiring Hardware)



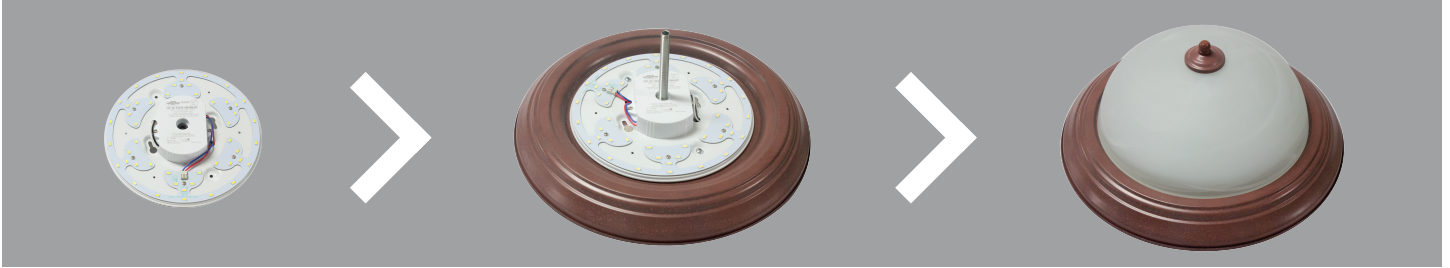
RoHS
Compliant

10YEAR
WARRANTY

APPLICATION

Upgrade circular surface-mount fluorescent-style luminaires to an LED solution. Suitable for after-market or OEM installation. (OEM must have UL LED Luminaire General Coverage file.)

TYPICAL INSTALLATION APPLICATION



SYSTEM FEATURES

MODULE FEATURES

- For use in Class 2 lighting systems
- Highly reflective white soldermask
- Low-profile WAGO push connectors
- UL Recognized components
- Single-sided CEM3 substrate
- 3-step MacAdam color binning
- LM80 tested LEDs by Samsung
- Beam angle: 120°
- Reported life expectancy: L70 > 54,000 hours at Tc < 85°C
- Calculated life expectancy: L70 = 160,000 hours at Tc < 85°C
- Maximum board temperature at Tc point: 85°C

DRIVER FEATURES

- Dimming options: 120V phase control or 120–277V 0–10V
- High power factor
- UL 8750 Recognized Component LED power unit
- Meets FCC Part 15 Class B (Consumer) Limit for EMI
- Over-current, short-circuit, and open-circuit protection
- Class 2 output
- Type 1 Outdoor, suitable for dry and damp locations
- Up to 194°F/90°C maximum case temperature
- THD: < 20%

8" CIRCULAR LED KITS

1600 AND 2200 LUMEN OPTIONS

PERFORMANCE SPECIFICATIONS

8", 1600 LUMEN CIRCULAR

KT-RKIT-CP-8-1600-8XX-FDIM /G2
(Dimming Type: Phase Control)

KIT CONTENTS: Driver: KTLD-20-1-560-FDIM-AQ7
Module: (1) KTLM-960-C2-8XX-64B
Metal Pan: Yes
Mounting Hardware and Accessories

Color Temp	Input Voltage	LED Retrofit Kit Catalog Number	No. of Modules	Total System Drive Current	Drive Current per Module	Total System Lumens	Total Module Power	Module Efficacy	Driver Efficiency	Total System Power	Total System Efficacy
3000K	120V	KT-RKIT-CP-8-1600-830-FDIM /G2	1	560mA	560mA	1700 L	12.5W	136 lm/W	80%	15.6W	109 lm/W
3500K	120V	KT-RKIT-CP-8-1600-835-FDIM /G2	1	560mA	560mA	1725 L	12.5W	138 lm/W	80%	15.6W	111 lm/W
4000K	120V	KT-RKIT-CP-8-1600-840-FDIM /G2	1	560mA	560mA	1750 L	12.5W	140 lm/W	80%	15.6W	112 lm/W
5000K	120V	KT-RKIT-CP-8-1600-850-FDIM /G2	1	560mA	560mA	1800 L	12.5W	144 lm/W	80%	15.6W	115 lm/W

KT-RKIT-CP-8-1600-8XX-VDIM /G2
(Dimming Type: 0–10V)

KIT CONTENTS: Driver: KTLD-20-UV-560-VDIM-AQ7
Module: (1) KTLM-960-C2-8XX-64B
Metal Pan: Yes
Mounting Hardware and Accessories

Color Temp	Input Voltage	LED Retrofit Kit Catalog Number	No. of Modules	Total System Drive Current	Drive Current per Module	Total System Lumens	Total Module Power	Module Efficacy	Driver Efficiency	Total System Power	Total System Efficacy
3000K	120–277V	KT-RKIT-CP-8-1600-830-VDIM /G2	1	560mA	560mA	1700 L	12.5W	136 lm/W	80%	15.6W	109 lm/W
3500K	120–277V	KT-RKIT-CP-8-1600-835-VDIM /G2	1	560mA	560mA	1725 L	12.5W	138 lm/W	80%	15.6W	111 lm/W
4000K	120–277V	KT-RKIT-CP-8-1600-840-VDIM /G2	1	560mA	560mA	1750 L	12.5W	140 lm/W	80%	15.6W	112 lm/W
5000K	120–277V	KT-RKIT-CP-8-1600-850-VDIM /G2	1	560mA	560mA	1800 L	12.5W	144 lm/W	80%	15.6W	115 lm/W

8", 2200 LUMEN CIRCULAR

KT-RKIT-CP-8-2200-8XX-FDIM /G2
(Dimming Type: Phase Control)

KIT CONTENTS: Driver: KTLD-20-1-560-FDIM-AQ7
Module: (1) KTLM-960-C2-8XX-80B
Metal Pan: Yes
Mounting Hardware and Accessories

Color Temp	Input Voltage	LED Retrofit Kit Catalog Number	No. of Modules	Total System Drive Current	Drive Current per Module	Total System Lumens	Total Module Power	Module Efficacy	Driver Efficiency	Total System Power	Total System Efficacy
3000K	120V	KT-RKIT-CP-8-2200-830-FDIM /G2	1	560mA	560mA	2110 L	15.5W	136 lm/W	80%	19.3W	109 lm/W
3500K	120V	KT-RKIT-CP-8-2200-835-FDIM /G2	1	560mA	560mA	2145 L	15.5W	138 lm/W	80%	19.3W	111 lm/W
4000K	120V	KT-RKIT-CP-8-2200-840-FDIM /G2	1	560mA	560mA	2180 L	15.5W	141 lm/W	80%	19.3W	113 lm/W
5000K	120V	KT-RKIT-CP-8-2200-850-FDIM /G2	1	560mA	560mA	2240 L	15.5W	145 lm/W	80%	19.3W	116 lm/W

KT-RKIT-CP-8-2200-8XX-VDIM /G2
(Dimming Type: 0–10V)

KIT CONTENTS: Driver: KTLD-20-UV-560-VDIM-AQ7
Module: (1) KTLM-960-C2-8XX-80B
Metal Pan: Yes
Mounting Hardware and Accessories

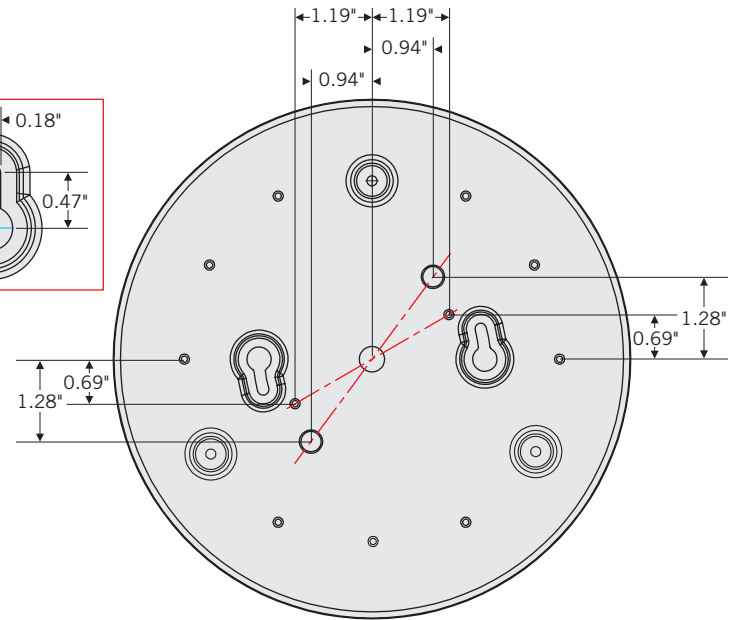
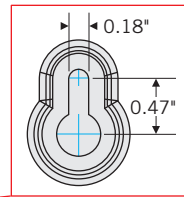
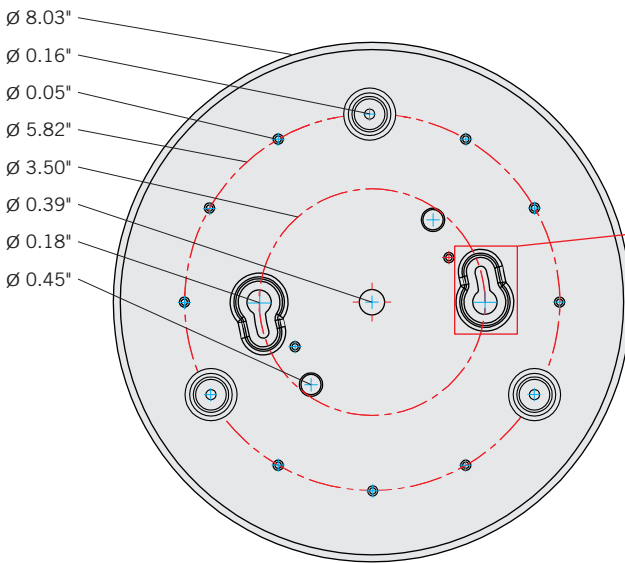
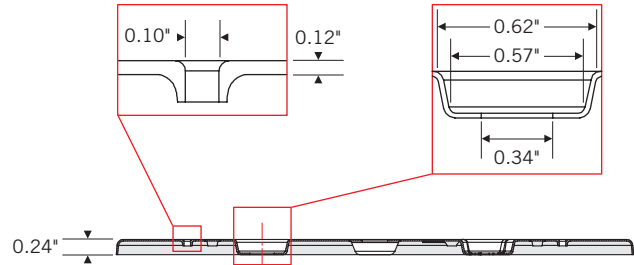
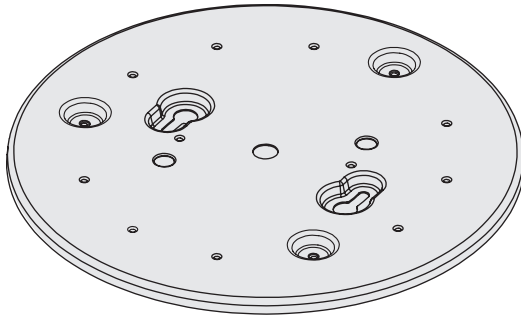
Color Temp	Input Voltage	LED Retrofit Kit Catalog Number	No. of Modules	Total System Drive Current	Drive Current per Module	Total System Lumens	Total Module Power	Module Efficacy	Driver Efficiency	Total System Power	Total System Efficacy
3000K	120–277V	KT-RKIT-CP-8-2200-830-VDIM /G2	1	560mA	560mA	2110 L	15.5W	136 lm/W	80%	19.3W	109 lm/W
3500K	120–277V	KT-RKIT-CP-8-2200-835-VDIM /G2	1	560mA	560mA	2145 L	15.5W	138 lm/W	80%	19.3W	111 lm/W
4000K	120–277V	KT-RKIT-CP-8-2200-840-VDIM /G2	1	560mA	560mA	2180 L	15.5W	141 lm/W	80%	19.3W	113 lm/W
5000K	120–277V	KT-RKIT-CP-8-2200-850-VDIM /G2	1	560mA	560mA	2240 L	15.5W	145 lm/W	80%	19.3W	116 lm/W

8" CIRCULAR LED KITS

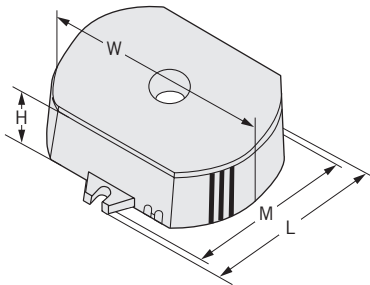
1600 AND 2200 LUMEN OPTIONS

PHYSICAL SPECIFICATIONS

METAL PAN



LED DRIVER

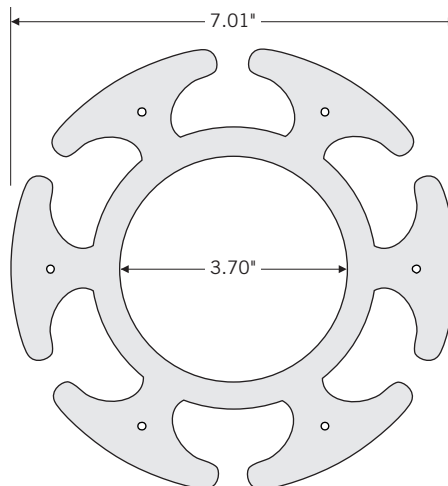


DIMENSIONS

Length (L)	6.46"
Width (W)	1.32"
Height (H)	1.00"
Mounting (M)	6.00"

LED MODULE OPTIONS

LED MODULE A FOR 1600 LUMEN KITS



LED MODULE B FOR 2200 LUMEN KITS

