

FP

LED Fuel Pump Canopy

Project:	
Type:	
Catalog #:	

STANDARD



FEATURES

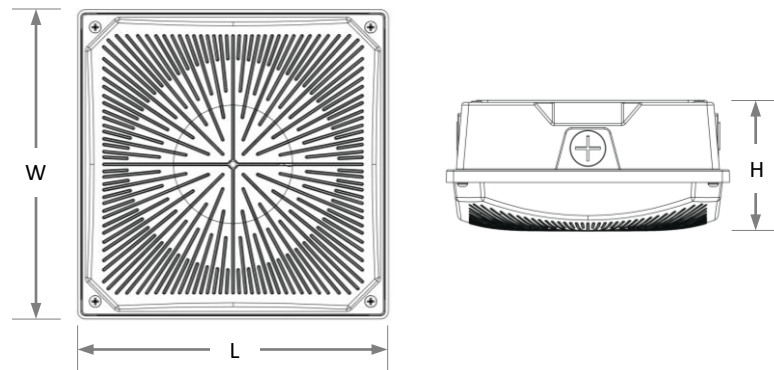
- Field selectable 3000k (warm white), 4000k (neutral white), & 5000k (cool white) color temperatures.*
- Long-life LEDs provide 169,000 hours of operation with at least 70% of initial lumen output (L₇₀), and 51,000 hours with at least 90% of initial lumen output (L₉₀).**
- LED chromaticity based on ≤ 7-step ANSI quadrangles.
- LED color maintenance ≤ 0.001 chromaticity shift (Δu'v') over the initial 6,000 hours of operation.
- FP-5L = 5,000 nominal lumens.*
- FP-10L = 10,000 nominal lumens.*
- Universal 120-277V (50/60Hz) AC voltage.
- 0-10vdc dimming drivers, which provide continuous dimming to 10% of maximum lumen output, are standard.
- Mounting options include surface-mounting and pendant-mounting using 3/4" electrical conduit.
- Optional, integral occupancy/daylight sensor is installed inside the luminaire housing and provides both on/off and dimming functions.
- Power factor ≥ 0.90.
- Total harmonic distortion ≤ 20%.
- Color rendering index (R_a) > 80. Red color rendering > -5.
- Die cast aluminum housing with dark bronze powder coat finish.
- Polycarbonate lens.
- Easy installation in new construction or retrofit.

* Contact factory for other color temperatures and lumen packages.
 ** L₇₀ hours are IES TM-21-11 calculated hours.

WARRANTY & LISTINGS

- cULus listed for wet locations in ambient temperatures from -20°C to 45°C (-4°F to 113°F).
- IP65 rated for ingress protection.
- Lens is IK10 rated for impact.
- DLC premium approved (primary use categories: Fuel Pump Canopy Luminaires).
- Complies with FCC Part 15, class A.
- Standard models comply with IEC/EN 61000-4-5, surge immunity protection, 2kV. Optional 10kV surge protector available (see below for ordering information).
- 5-year warranty on all electronics and housing.

DIMENSIONS



Model	Length	Width	Height	Weight
FP-5L	8"	8"	3.7"	4 lbs.
FP-10L	10"	10"	4.2"	6 lbs.

ORDERING INFORMATION

Example: FP-5L-KFS-ODS

Series	Nominal Lumen Output		Color Temperature		Occupancy Sensor		Surge Protection (optional)		Accessories	
	5L	10L	KFS*	3000k 4000k 5000k	ODS	Microwave dimming, daylight & occupancy sensor (factory installed)	SP10	TDC model SPD277-10K.1 10kV surge protector	HD03R	Sensor remote control
FP	5,000 lumens	10,000 lumens			Blank	No occupancy sensor	Blank	No additional surge protection		

¹ Remote control Required for programming (sold separately).

² Default sensor settings: detection area = 100%, hold time = 5 seconds, daylight threshold = disabled, stand-by period = 0 seconds, stand-by dimming level = 10%

ELECTRICAL DATA

Model	Color Temperature	CRI ¹	Luminaire Lumens	Luminaire Watts	Lumens/Watt	Input Voltage ²	Input Current (A)			Power Factor	THD ³	L ₇₀ Hours ⁴
							120V	240V	277V			
FP-5L-KFS	3000k	> 80	5,011	40	126	120-277	0.33	0.17	0.14	> 0.90	< 20	169,000
FP-5L-KFS	4000k	> 80	5,448	38	142	120-277	0.32	0.16	0.14	> 0.90	< 20	169,000
FP-5L-KFS	5000k	> 80	5,421	40	137	120-277	0.33	0.17	0.14	> 0.90	< 20	169,000
FP-10L-KFS	3000k	> 80	9,335	75	125	120-277	0.63	0.31	0.27	> 0.90	< 20	169,000
FP-10L-KFS	4000k	> 80	10,146	71	142	120-277	0.59	0.30	0.26	> 0.90	< 20	169,000
FP-10L-KFS	5000k	> 80	10,004	74	134	120-277	0.62	0.31	0.27	> 0.90	< 20	169,000

¹ Color rendering index.

² All 50-60Hz.

³ Total harmonic distortion.

⁴ L₇₀ refers to the number of hours at which lumen output declines to 70% of the initial level. L₇₀ hours are IES TM-21-11 calculated hours.

PHOTOMETRIC DATA

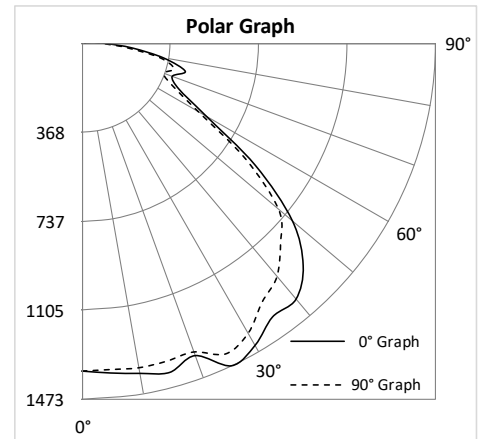
FP-5L-KFS

Luminaire Data

Description	Fuel Pump Luminaire 5L, Kelvin Field Selectable (3K)
Total Lumens	5,011
Input Wattage	40
Efficacy (lm/W)	126
Max. Cd.	1484.95 (360H, 26V)
IES Classification	Type VS
Longitudinal Classification	Very Short

Luminaire Classification Systems (LCS)

LCS Zone		Lumens	%Lum
FL	0-30	596	11.9%
FM	30-60	1,305	26.0%
FH	60-80	427	8.5%
FVH	80-90	110	2.2%
BL	0-30	583	11.6%
BM	30-60	1,276	25.5%
BH	60-80	413	8.2%
BVH	80-90	103	2.0%
UL	90-100	72	1.4%
UH	100-180	128	2.6%
Total		5,011	100.0%
BUG Rating		B2-U3-G2	



FP-10L-KFS

Luminaire Data

Description	Fuel Pump Luminaire 10L, Kelvin Field Selectable (3K)
Total Lumens	9,335
Input Wattage	75
Efficacy (lm/W)	125
Max. Cd.	2868.54 (225H, 15V)
IES Classification	Type VS
Longitudinal Classification	Very Short

Luminaire Classification Systems (LCS)

LCS Zone		Lumens	%Lum
FL	0-30	1,152	12.3%
FM	30-60	2,416	25.9%
FH	60-80	776	8.3%
FVH	80-90	198	2.1%
BL	0-30	1,152	12.3%
BM	30-60	2,392	25.6%
BH	60-80	764	8.2%
BVH	80-90	191	2.0%
UL	90-100	126	1.4%
UH	100-180	167	1.8%
Total		9,335	100.0%
BUG Rating		B3-U3-G2	

