

PROJECT NAME

CATALOG NO.

TYPE

DATE

NOTE

OUTDOOR LED FLOOD LIGHT

FLWH Series

High Lumen Flood Luminaires

DESCRIPTION

The FLWH Series LED Flood Light is a high-performance, produces a minimum of 135 lumen per watts, providing significant energy savings while remaining durable in the field. Each luminaire features an integral listed driver, potted within a separate compartment to ensure cool operation and longer lifetime.

APPLICATION

The FLWH Series is ideal for parking areas, doorways, pathways, building facades, loading docks, and a wide variety of other large, area light, general site lighting applications. Replace existing HID Flood lights/ wall packs.



150W, 200W



100W



SPECIFICATION FEATURES

Construction

The housing is die-cast and extruded aluminum weather-tight LED driver compartment heat sink to obtain the maximum thermal dissipation. Outer surface treated with durable powder coating to provide resistance to corrosion, rust, weathering, and UV degradation.

Optics

Precision-formed heat-resistant polycarbonate optical lens system reduces glare and improves safety and security by delivering high efficiency illumination with precise optical distribution. Type VS light distribution, field angle 170 degree.

Electrical

Luminaire utilizes long life, high efficacy LEDs and reliable LED driver. 120V-277V input voltage. 4KV standard surge protection.

Mounting

Knuckle, Yoke and Adjustable Slip Fitter mount

Certifications / Regulatory

cULus listed. Wet location. All components used have UL approval.

Warranty

7-year limited warranty. See complete warranty terms for details.

Quick Ship Product

ORDERING INFORMATION

Sample Number: **FLWH-100/7A-K**

| FLWH | 100 | 7 | A | K |
|------------------------|----------------------|-------------|--------------------------------|-------------------------------|
| Series | Lumen Package | CRI | CCT | Mounting Option |
| FLWH - Outdoor LED | 100 - 100W | 7 - CRI 70+ | A - 5000/4000/3000K adjustable | K - Knuckle |
| High Lumen Flood Light | 150 - 150W | | | Y - Yoke |
| | 200 - 200W | | | MASF - Adjustable Slip Fitter |

Options

Controls

PS - Photocell Sensor

SPD - 10KV Surge Protection Device

SUMMARY

| | |
|------------------|-------------------------------|
| Input Voltage | 120-277V |
| Input Power | See energy data for details |
| Power Factor | >0.9 |
| THD (Max.) | 20% |
| Efficacy | >135 LPW |
| Delivered Lumens | See energy data for details |
| CRI | >70 |
| CCT | 5000/4000/3000K Selectable |
| Operating Temp. | -40°F ~ 104°F (-40°C ~ +40°C) |
| Rated Life | 70,000 hours |
| IP Grade | Wet locations |
| Surge protection | 4KV |

ENERGY PERFORMANCE DATA

| Part No. | Rated Wattage (W) | Delivered Lumens (lm) | Efficacy (lm/W) |
|-------------|-------------------|-----------------------|-----------------|
| FLWH-100/7A | 100 | 13479 | 135 |
| FLWH-150/7A | 150 | 20082 | 135 |
| FLWH-200/7A | 200 | 27867 | 139 |

MOUNTING INFORMATION

Knockle Mount for 100-200W



Yoke Mount only 100W available



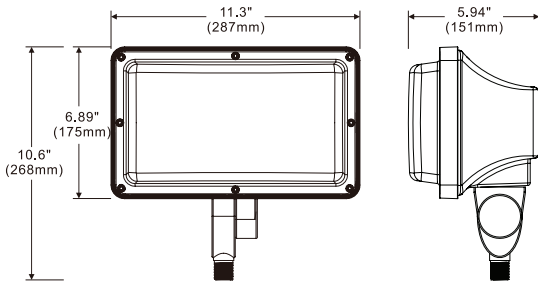
Slip Fitter Mount only 150W and 200W available



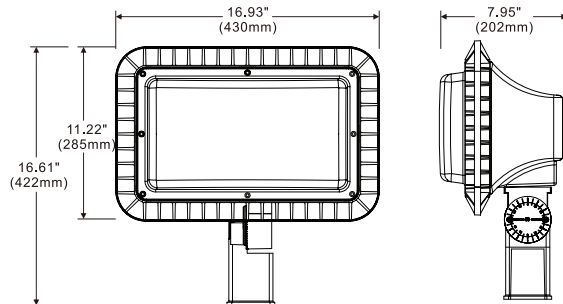
PHYSICAL PARAMETERS

DIMENSION

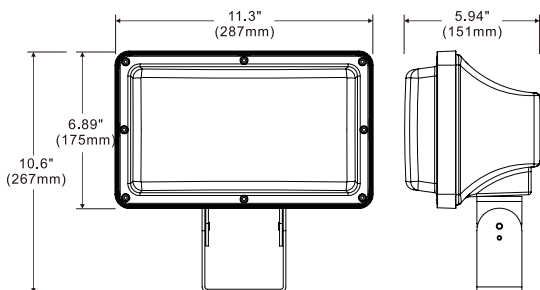
FLWH-100/7A-Y



FLWH-150/7A-MASF and FLWH-200/7A-MASF



FLWH-100/7A-K



FLWH-150/7A-K and FLWH-200/7A-K

