



FLUX 6W 20W

APPLICATIONS

FLUX flood lights can be used in gardens, courtyards, tennis courts, landscapes, residential applications, or as extra lighting in parking lots. It is also ideal for park and campus pathways, or other outdoor applications that require a cost-effective, solar LED flood light.

DESCRIPTION

- Eliminates trenching, cabling, and electricity costs
- Solar panel bracket is 360 degrees adjustable, and the light module is 270 degrees adjustable. Adjusting the solar panel angle maximizes solar energy collection, and allows snow, dirt, and other debris to slide or wash off
- Large battery capacity of 7,680 mAh enables long run times and high light output
- Wall-mounting and post-mounting accessories available
- The latest advanced Li-ion battery lasts 2000+ charging cycles
- 7 operating modes are programmable via remote control included with one-button mode settings, or set on the fixture
- IP66 rated protection from water, dirt, and dust
- The easiest way to bring lighting to any outdoor application
- Photo and motion sensors, wide angle 360° detection, high sensitivity

ORDERING INFORMATION

SERIES	WATTAGE	COLOR TEMPERATURE	MOUNTING OPTIONS	FINISH
STL-FLX=FLUX	6=6W 1,020 Lumens 20=20W 3,400 Lumens	4=4,000K	WM=Wall Mount PM=Pole Mount	GY=GRAY BZ=BRONZE

- - - -

FEATURES & BENEFITS



Generate & Store More Solar Energy

- Adjusting the solar panel angle maximizes solar energy collection, and allows snow, dirt, and other debris to slide or wash off
- This solar flood light's two-piece design allows the separate solar panel to always collect energy from the sun without affecting the direction of the light fixture



High Brightness and Smart Power Consumption

- 170 Lm/w, the highest efficiency in the industry
- Microwave motion sensor and one-key automatic dimming
- 7 operating modes are programmable via remote control included with one-button mode settings, or set on the fixture



Versatile Design

- Ideal outdoors as a flood light or wall pack
- Ideal as a portable work light or camping light
- Designed for round pole and wall pack installation



Low Maintenance Design

- Die cast A380 aluminum fixture housing is rust-free
- Grade A LifePO₄ Battery Pack, 2000+ full charging cycles

CATALOG	PROJECT	PREPARED BY	DATE	COMMENTS

CERTIFICATION DATA



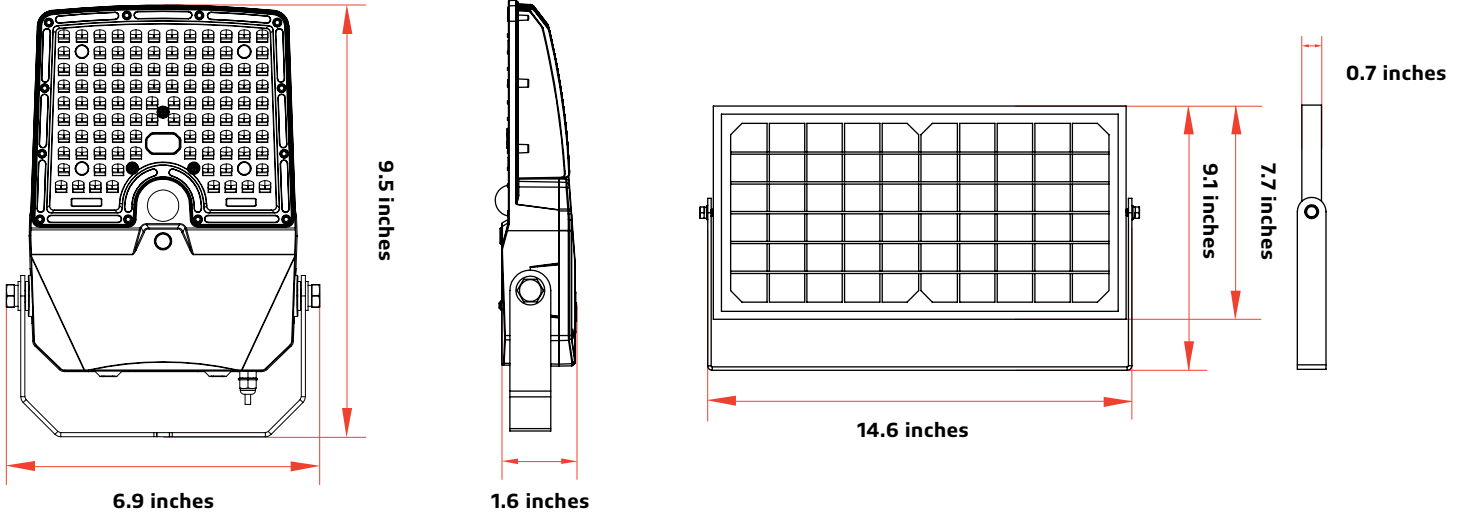


FLUX 6W 20W

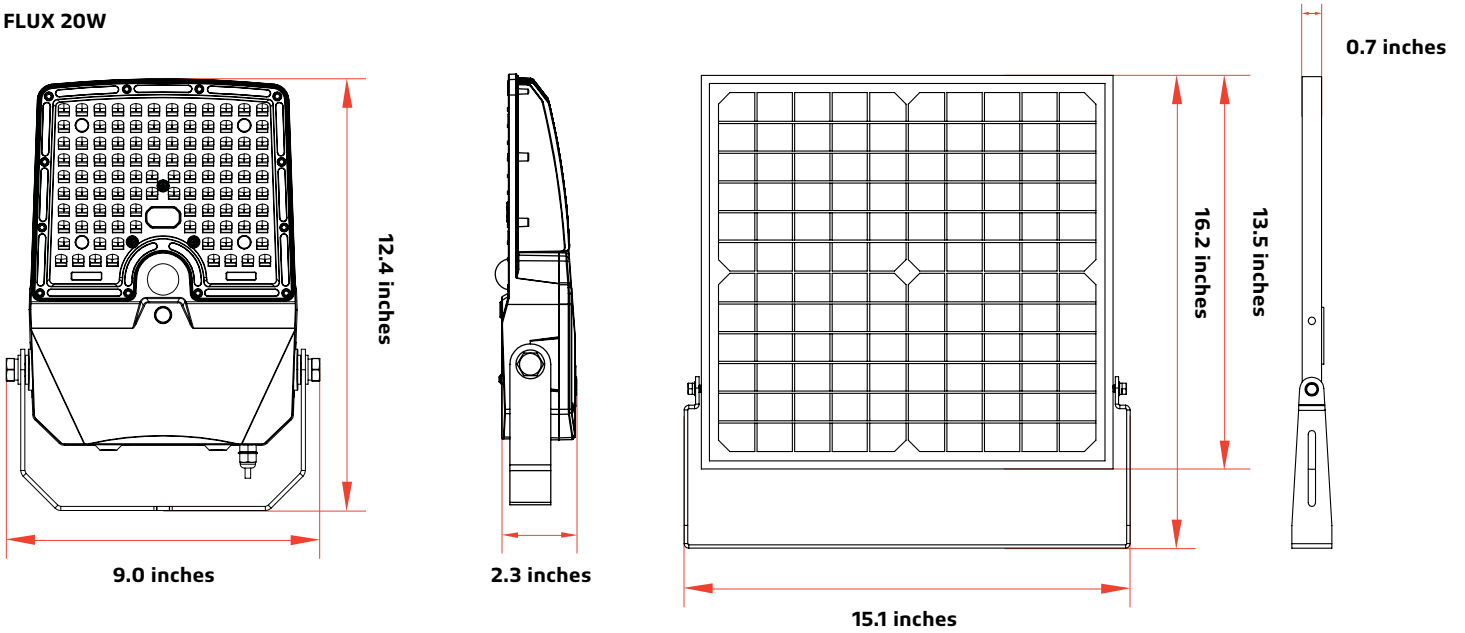
CATALOG		COMMENTS
PROJECT		
PREPARED BY		
DATE		

PRODUCT SIZE

FLUX 6W



FLUX 20W





FLUX 6W 20W

CATALOG		COMMENTS
PROJECT		
PREPARED BY		
DATE		

SPECIFICATIONS

Specifications	FLUX 6W	FLUX 20W
LED Nominal Power	6W	20W
Solar Panel	Mono-Crystalline 10V 10W	Mono-Crystalline 10V 20W
LiFePO₄ Battery	6.4V 3AH	6.4V 12AH
CCT	4,000K	4,000K
Lumen Output@4000K	1,020	3,400
CRI	> 70	> 70
Product Size	Light Head 9.5 X 6.9 X 1.6 Inches Solar Panel 7.7 X 14.6 X 0.7 Inches	Light Head 12.4 X 9.0 X 2.3 Inches Solar Panel 13.5 X 15.1 X 0.7 Inches
Beam Spread	>130°, NEMA type 7 Very Wide	>130°, NEMA type 7 Very Wide
EPA	1.41	2.51
Cable Length	16.5 ft	16.5 ft
IP Rating	IP66	IP66
Casting	PC & Aluminum	PC & Aluminum
Efficiency@4000K	170 lm/W	170 lm/W
* Charging Time	6hrs (1000W/m ²)	6hrs (1000W/m ²)
Run Time (@Full Charged)	5-7 Rainy Days	5-7 Rainy Days
Operation Mode	7 Operating Modes	7 Operating Modes
PIR Sensor Angle / Distance	360° / 16.4 ft	360° / 16.4 ft
* Operating Temperature	-20°C/-4°F to 122°F	-20°C/-4°F to 122°F
* Charging Temperature	0°C/32°F to 149°F	0°C/32°F to 149°F

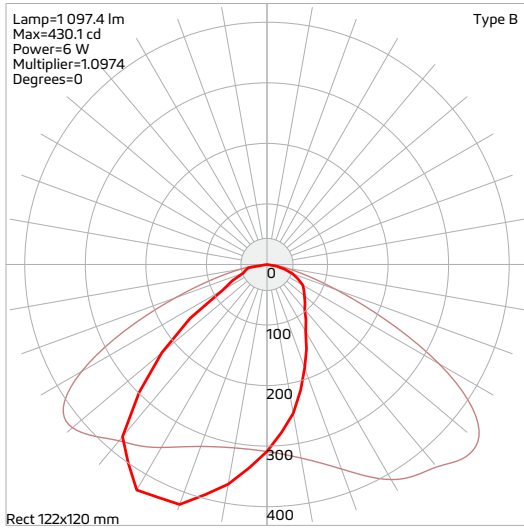
* The temperature can impact the battery's charge and daily operation.

* The solar charge data is base on 77 degree F ambient temperature with the panel facing direct solar radiation. The standard radiation value is 1000W/m².

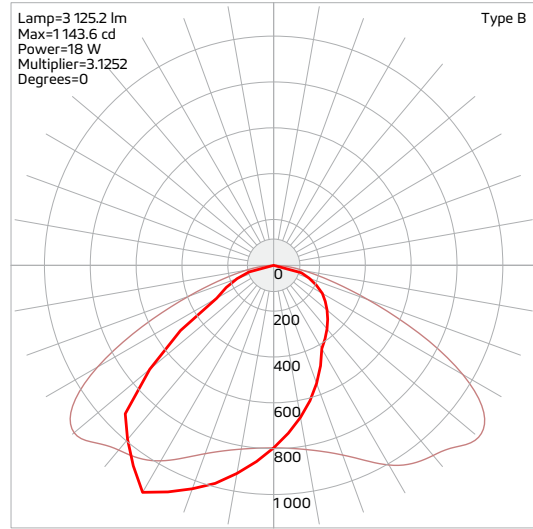
FLUX 6W 20W

CATALOG		COMMENTS
PROJECT		
PREPARED BY		
DATE		

IES LIGHT DISTRIBUTION

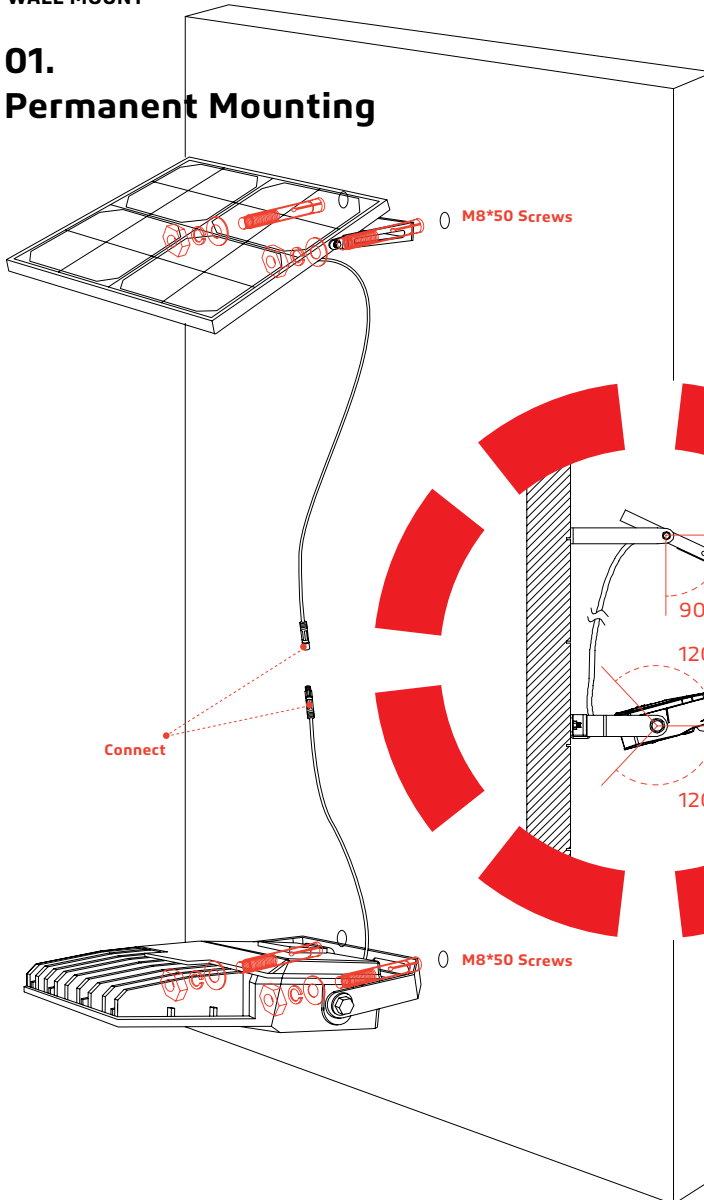
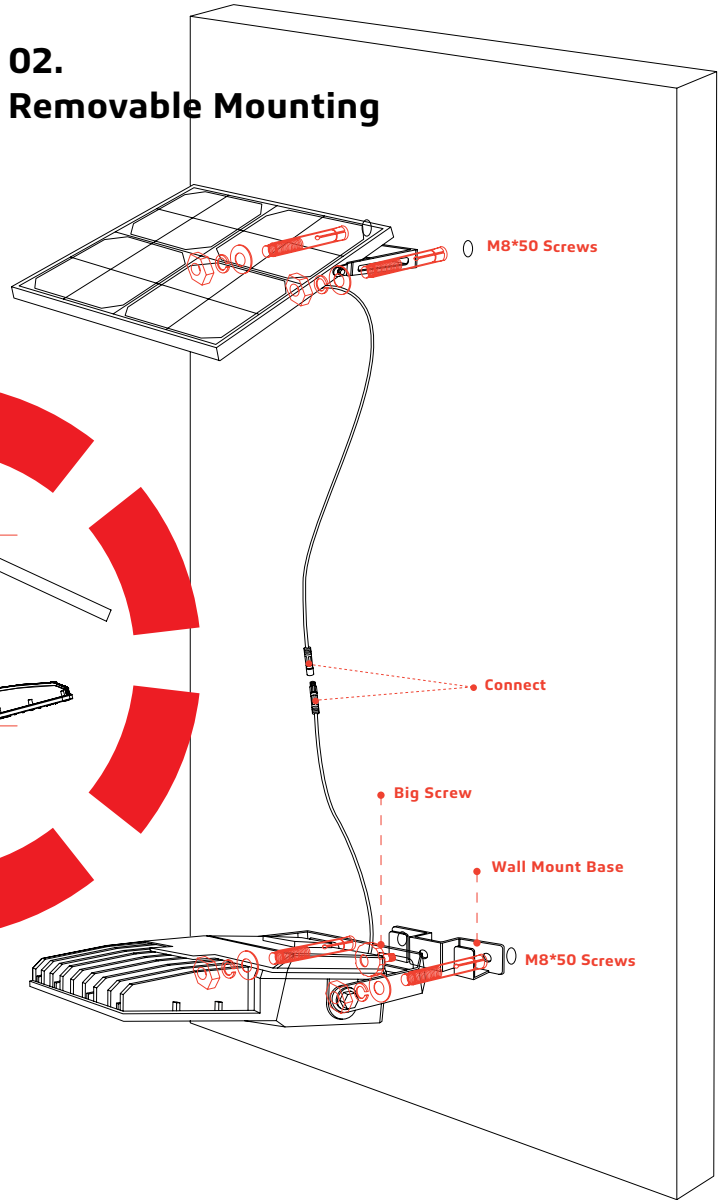


FLUX 6W



FLUX 20W

CATALOG		COMMENTS
PROJECT		
PREPARED BY		
DATE		

INSTALLATION
WALL MOUNT
01. Permanent Mounting

02. Removable Mounting

First mount the solar panel:

1. Drill two holes into the wall surface then use the screw kit to secure the solar panel bracket on the wall.
2. After you secure the solar panel bracket, attach the solar panel to the bracket.

Then mount the fixture:

3. Drill two holes into the wall surface. Attach the bracket to the fixture then secure to the wall surface with the screw kit.
4. Connect the light and solar panel cables.

First mount the solar panel:

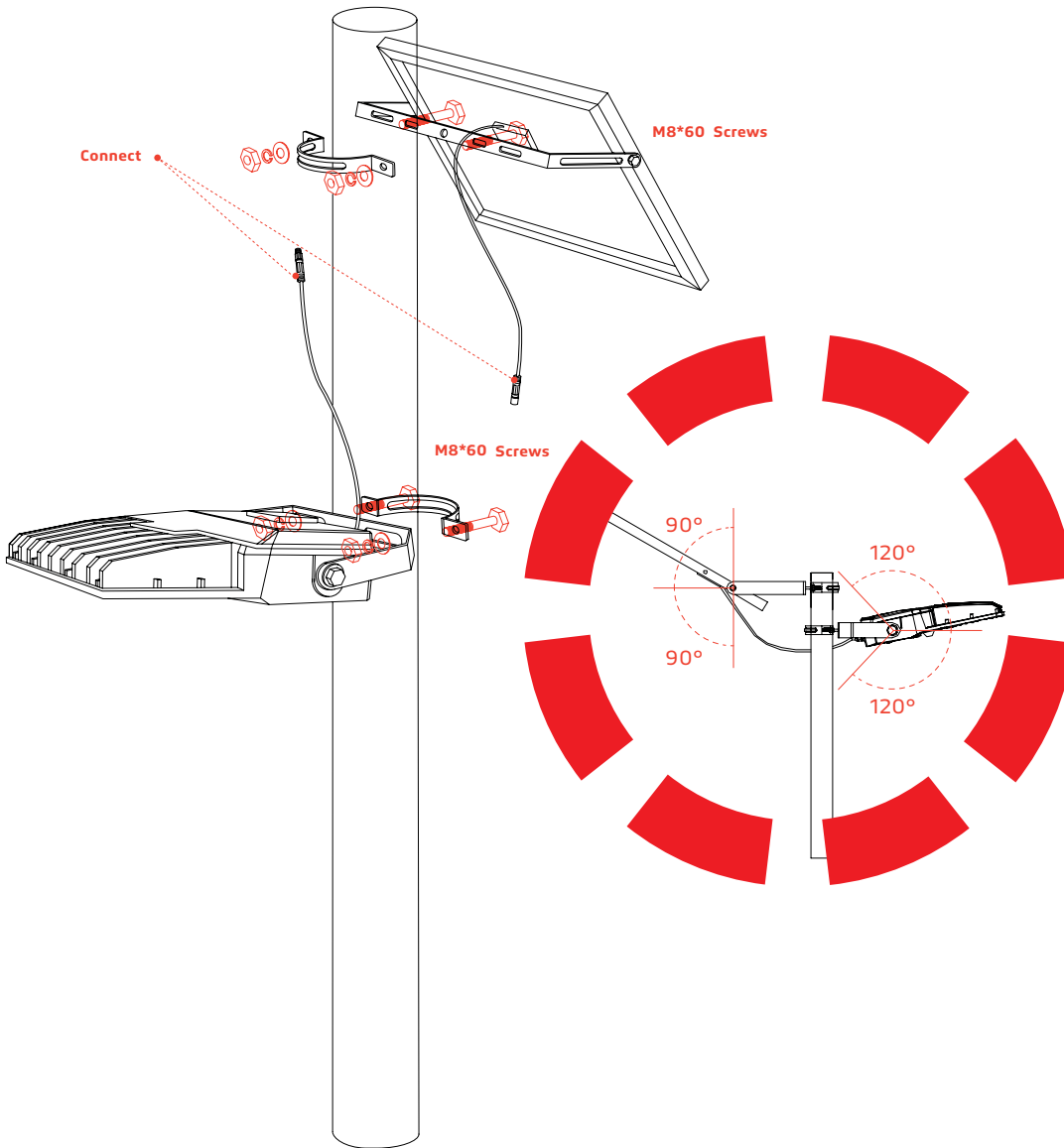
1. Drill two holes into the wall surface, then use the screw kit to secure the solar panel bracket on the wall.
2. After you secure the solar panel bracket, attach the solar panel to the bracket.

Then mount the fixture:

3. Drill two holes into the wall surface, then screw in the wall mount base to the wall.

4. Attach the bracket to the fixture and then hang the bracket on the wall mount base. Lastly, use the big screw knob to hold them together.
5. Connect the light and solar panel cables.

CATALOG		COMMENTS
PROJECT		
PREPARED BY		
DATE		



First, mount the solar panel to the pole:

1. Use the screw kit to secure the pole mount base and the solar panel bracket to the pole.
2. Then attach the solar panel to the bracket.

Then, mount the fixture:

3. Attach the bracket to the fixture.
4. Use the screw kit to secure the fixture bracket to the pole mount base on the pole.
5. Connect the light and solar panel cables.

FLUX 6W 20W

REMOTE CONTROL

MOTION SENSOR MODES



Light on 100% if motion is detected, stand-by period is 60 seconds. Light will turn off when no motion is detected.



Light on 100% if motion is detected, stand-by period 60 is seconds. Light will dim down to 5% output when no motion is detected.



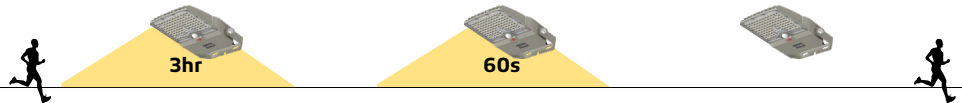
Light on 100% if motion is detected, stand-by period is 120 seconds. Light will turn off when no motion is detected.



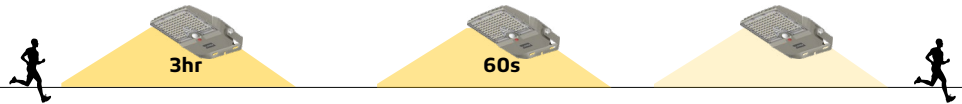
Light on 100% if motion is detected, stand-by period is 120 seconds. Light will dim down to 5% output when no motion is detected.



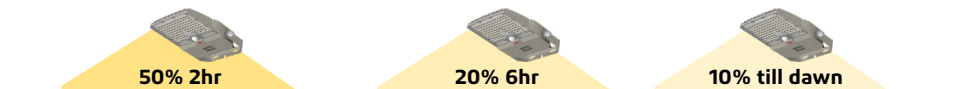
Light on 50% for 3 hours (Sensor disabled), then returns to motion sensor mode. If motion detected, stand-by period 60 seconds. Light will turn off when no motion is detected.



Light on 50% for 3 hours (Sensor disabled), then returns to motion sensor mode. If motion detected, stand-by period is 60 seconds. Light will dim down to 5% output when no motion is detected.



Light on 50% for 2 hours, then dims down to 20% for 6 hours, then dims down to 10% until dawn (Sensor disabled).



CATALOG		COMMENTS
PROJECT		
PREPARED BY		
DATE		

REMOTE CONTROL INSTRUCTIONS
Indicator Status

Power Status


1. Turn On The Light: Press red button and hold for 4 seconds.
2. Mode Switch: Press mode buttons.
3. Turn Off The Light: Press red button and hold for 4 seconds.



CATALOG		COMMENTS
PROJECT		
PREPARED BY		
DATE		

Remote Buttons	Indicator Status
A	Red
B	Green
C	Red+Green
D	Blue
E	Blue+Red
F	Blue+Green

Additional Notes

1. The flood lights "Turn On" time depends on the client's local time (Turn-on Light Level:< 20Lux).
2. A, B, C, D, E and F modes have memory functions. For example, if you press mode A and then press the OFF button, Mode A will still be activated when you turn the light on again until end user resets the mode.



CATALOG		COMMENTS
PROJECT		
PREPARED BY		
DATE		

WARRANTY

FLUX products are covered by a 3 year limited warranty. SOLTECH urban light warrants to the original purchaser that this product is free from defects in materials and workmanship for the period of 3 years from date of purchase. To obtain warranty service please contact your local distributor or sales rep for further instruction.



1460 Park Avenue.
Emeryville, CA 94608 USA

www.soltechlighting.com

SOLTECH LLC reserves the right to update all product data sheets at any time. Consult SOLTECH marketing specialists for publication updates at hello@soltechlighting.com

*Copyright©2022-2023 SOLTECH LLC,
All Rights Reserved.*