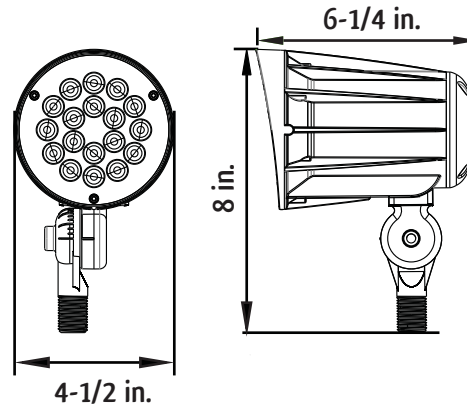




DIMENSIONS:



FLD2-42WW-KN FLD2-42CW-KN

LED Bullet Flood Light with Knuckle

Ideal for general site lighting, alleys, loading docks, doorways, pathway, parking areas. Replace existing HID flood lights/wallpacks. Great for use with motion sensors or other instant on/off controls. Solid state lighting technology for long life, low maintenance and high efficiency.

ELECTRICAL SPECIFICATIONS:

- Voltage: 100~277V AC 50/60Hz
- Wattage: 42W
- Other wattages available in this model: 15W and 28W
- Optical lens: High transmittance PC, anti-UV and fire resistant
- Power factor: >0.9

HOUSING SPECIFICATIONS:

- Lamp diameter: 4-1/2 inches
- Housing: ADC 12 cast aluminum powder-coated bronze
- Fully adjustable 1/2" NPT threaded knuckle
- Suitable for wet locations, IP65

LIGHTING SPECIFICATIONS:

- Total lumens: 4200LM
- Color temperature: 3000K and 5000K
- LED: Philips LUMILEDS
- CRI: >80
- Beam angle: 60°
- LED efficacy: 130LM/W
- 70,000 hours rated life

WARRANTY: 7 years

CERTIFICATIONS:



MODEL	WATTS	VOLTS	LUMENS	COLOR TEMP
FLD2-42WW-KN	42W	100~277V AC	4200LM	3000K
FLD2-42CW-KN	42W	100~277V AC	4200LM	5000K

FLD2-42WW-KN FLD2-42CW-KN

LED Bullet Flood Light with Knuckle



MODEL	WATTS	VOLTS	LUMENS	COLOR TEMP
FLD2-42WW-KN	42W	100~277V AC	4200LM	3000K
FLD2-42CW-KN	42W	100~277V AC	4200LM	5000K

PHOTOMETRICS:

Spectral Power Distribution

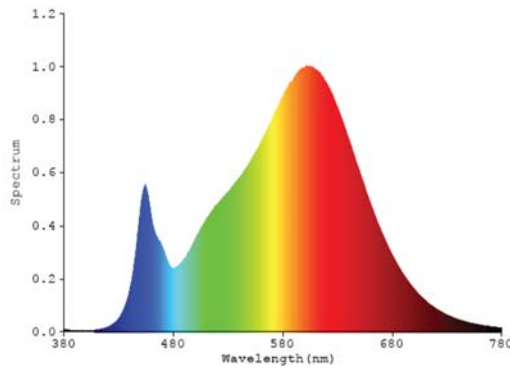


Chart 1: Spectral Power Distribution

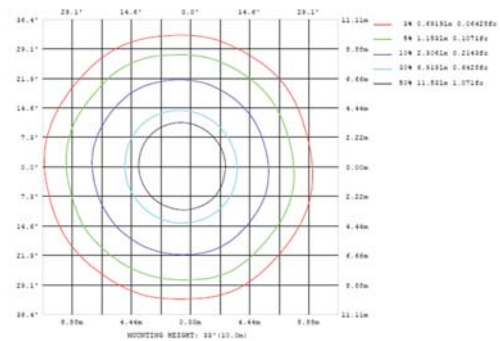


Chart 2: Illuminance Plot (Footcandles)

Zonal Lumen Tabulation

$\gamma(^{\circ})$	Lumens	% Total
0- 10	206.223	13.43%
10- 20	443.977	28.91%
20- 30	353.66	23.02%
30- 40	233.361	15.19%
40- 50	153.72	10.01%
50- 60	85.944	5.60%
60- 70	40.927	2.66%
70- 80	14.959	0.97%
80- 90	2.089	0.14%
90-100	0.04	0.00%
100-110	0.041	0.00%
110-120	0.059	0.00%
120-130	0.096	0.01%
130-140	0.175	0.01%
140-150	0.248	0.02%
150-160	0.243	0.02%
160-170	0.167	0.01%
170-180	0.055	0.00%
Total	1536.0	100%

$\gamma(^{\circ})$	Lumens	% Total
0- 60	1476.885	96.15%
60- 90	57.975	3.77%
0- 90	1534.86	99.93%
90- 180	1.124	0.07%
0- 180	1536.0	100%

Table 3: Zonal Lumen Data

Luminous Intensity Distribution Plots

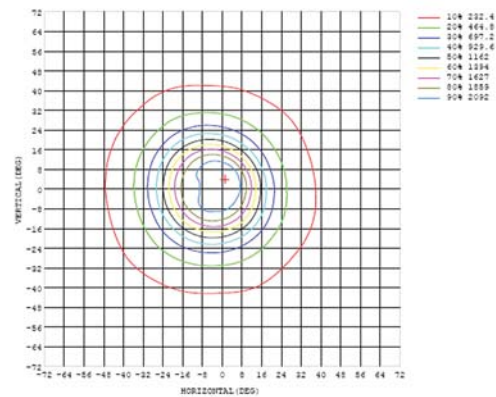


Chart 3: Isocandela Plot

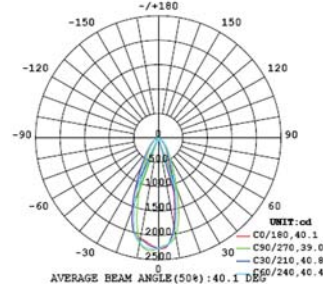


Chart 4: Polar Candela Distribution