

Catalog Number: \_\_\_\_\_ Type: \_\_\_\_\_

Project: \_\_\_\_\_

Comments: \_\_\_\_\_ Date: \_\_\_\_\_

# LED Flood Series FL1



Knuckle Mount



Yoke Mount

The LED Flood Series is a family of energy efficient solutions for replacing high wattage outdoor flood luminaires. Their small footprint provide an easy means to conceal the luminaire and deliver superior illumination for highlighting or accentuating key landscape contours, outdoor signs, statues, and many other important outdoor features. Their IP65 rating and UL listing for wet applications, are designed for weathering outdoor elements. The LED Flood Series are rated for over a 50,000 hour rated life and are backed by a 5-year warranty. Applications include; schools, parks, building facades, security, signage and parking lots.

<sup>1</sup> IP65 Rated fixtures are rated for use outdoors where exposed directly to water from rain or irrigation.

## Performance Specifications

<b>CRI</b> _____	70	<b>Min. Start Temp.</b> _____	-40°F (-40°C)
<b>Rated Life</b> _____	50,000 hour life	<b>Max. Operating Temp.</b> _____	104°F (40°C)
<b>Watt</b> _____	12W	<b>Power Factor</b> _____	>98%
<b>Lumens</b> _____	1,474	<b>THD</b> _____	<20%
<b>Lumens per Watt (LPW)</b> _____	122	<b>Warranty</b> _____	5-Year Limited
<b>Input Line Voltage</b> _____	100-277V	<b>Control</b> _____	Non-Dimmable
<b>Input Line Frequency</b> _____	50/60 Hz	<b>Weight</b> _____	2 lbs.

## Energy Savings

System	System Wattage	Replacement LED	Wattage	Energy Savings
100W Metal Halide	130W	FL1/CL12BZ50/XX/LED	12W	90%

## Construction

- Die-cast aluminum housing
- Clear polycarbonate lens
- Textured architectural bronze powdercoat finish

## Accessories

- IP65 rated
- Heavy Duty Ground Stake - For Knuckle Mounts only - 99813
- NEMA type 6 distribution

## Installation

Accessories include hardware.

- Adjustable knuckle with 1/2" NPS Threads
- Yoke mount and knuckle mount options

## Electrical

- 100V-277V input range
- 50/60 Hz input frequency
- UL listed for wet locations
- Electrical snap-in connectors to simplify wiring and installation



## Ordering Information

Watt	Product #	Product Code	Volts	Color Temp.	CRI	Lumens	Useful Life*	Dimmable	Mounting Type	Fixture Size L x H	Wattage Equivalent
12 Watt	99875	FL1/CL12BZ50/KN/LED	100-277V	5000K	70	1475	50,000	No	Knuckle	5" x 4.72"	100W Metal Halide
12 Watt	99876	FL1/CL12BZ50/YK/LED	100-277V	5000K	70	1475	50,000	No	Yoke	5" x 3.5"	100W Metal Halide

\* Useful Life is defined as the point in time at which the lamp will maintain at least 70% of its initial lumens. The lamp will continue to burn past this point, but at decreased light levels.

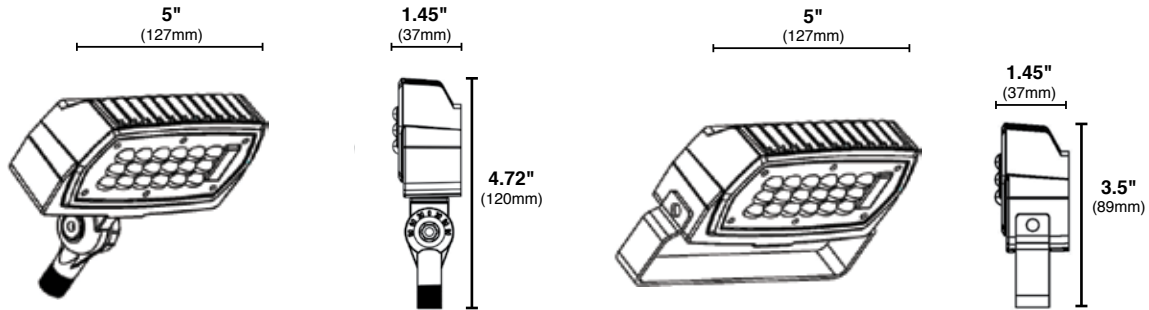
Warranty – Commercial / Industrial: This product is warranted for 5 years from the date of purchase.

\*\* Check the latest update at [www.DesignLights.org](http://www.DesignLights.org) for listed product catalog numbers. Not all versions are listed.



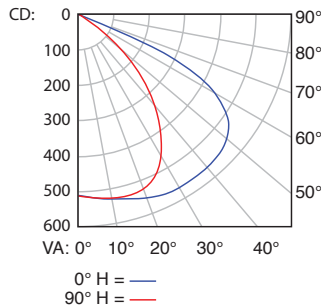
# LED Flood Series FL1

## Dimensions



## Photometrics

99875 FL1/CL12BZ50/KN/LED  
99876 FL1/CL12BZ50/YK/LED



### LUMENS PER ZONE

ZONE	LUMENS	% TOTAL	ZONE	LUMENS	% TOTAL
0-10	49.1	3.3%	100-110	0.1	0%
10-20	150.4	10.2%	110-120	0.1	0%
20-30	249.0	16.9%	120-130	0.2	0%
30-40	318.2	21.6%	130-140	0.2	0%
40-50	329.6	22.4%	140-150	0.3	0%
50-60	255.0	17.3%	150-160	0.2	0%
60-70	98.7	6.7%	160-170	0.2	0%
70-80	16.3	1.1%	170-180	0.1	0%
80-90	6.3	0.4%			

### ZONAL LUMEN SUMMARY

ZONE	LUMENS	% LAMP	% LUMINAIRE
0-30	448.5	30.4%	30.4%
0-40	766.7	52%	52%
0-60	1,351.3	91.7%	91.7%
60-90	121.3	8.2%	8.2%
70-100	22.8	1.5%	1.5%
90-120	0.4	0%	0%
0-90	1,472.6	99.9%	99.9%
90-180	1.5	0.1%	0.1%
0-180	1,474.1	100%	100%

LCS TABLE BUG RATING	B1 - U1 - G0	
	LUMENS	LUMENS%
<b>FORWARD LIGHT</b>		
LOW (0-30)	227.5	15.4%
MEDIUM (30-60)	467.9	31.7%
HIGH (60-80)	63.0	4.3%
VERY HIGH (80-90)	3.2	0.2%
<b>BACK LIGHT</b>		
LOW (0-30)	221.0	15%
MEDIUM (30-60)	435.0	29.5%
HIGH (60-80)	52.0	3.5%
VERY HIGH (80-90)	3.0	0.2%
<b>UPLIGHT</b>		
LOW (80-90)	0.2	0%
HIGH (100-180)	1.3	0.1%
<b>TRAPPED LIGHT:</b>	0.000	0%

### FLOOD SUMMARY

	EFFICIENCY	LUMENS	HORIZONTAL SPREAD	VERTICAL SPREAD
<b>FIELD (10%):</b>	97.1%	1,430.8	105.6	134.5
<b>BEAM (50%):</b>	86.4%	1,273.0	81.5	122.3
<b>TOTAL:</b>	99.9%	1,472.3		

### ILLUMINANCE AT A DISTANCE

HEIGHT(FT)	CENTER BEAM		BEAM SPREAD(FT)		FIELD SPREAD(FT)	
	FOOTCANDLE	HORIZONTAL	HORIZONTAL	VERTICAL	HORIZONTAL	VERTICAL
2.00	127.34 FC		3.4	7.3	5.3	9.5
4.00	31.84 FC		6.9	14.5	10.5	19.1
6.00	14.15 FC		10.3	21.8	15.8	28.6
8.00	7.96 FC		13.8	29.1	21.1	38.2
10.00	5.09 FC		17.2	36.3	26.3	47.7
			<b>BEAM ANGLE</b>		<b>FIELD ANGLE</b>	
			81.5°	122.3°	105.6°	134.5°