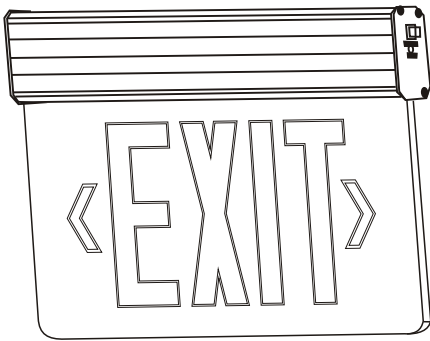


INSTALLATION INSTRUCTIONS FOR EMERGENCY EXIT SIGN



IMPORTANT:

Battery in the unit may not be fully charged. After electricity is hooked up to unit, let the battery charge up for at least 24-hrs. The normal operation of the unit should take effect.

IMPORTANT SAFEGUARDS

When using electrical equipment, basic safety precautions should always be followed, including the following:

READ AND FOLLOW ALL SAFETY INSTRUCTIONS

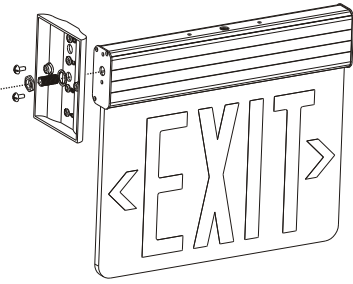
1. Do not use outdoors.
2. Do not let power supply cords touch hot surfaces.
3. Do not mount near gas or electric heaters.
4. Equipment should be mounted in locations and at heights(Max:7ft) where it will not be subject to tampering by unauthorized personnel.
5. The use of accessory equipment not recommended by the manufacturer may cause an unsafe condition.
6. Use caution when handling batteries.
7. Do not use this equipment for other than its intended use.
8. Before wiring to power supply, turn off electricity at fuse of circuit breaker.
9. Installation and servicing should be performed by qualified personnel.

SAVE THESE INSTRUCTIONS

INSTALLATION INSTRUCTIONS

Choose your mounting configuration (Side, Top, or Back Mount). Then plug the Remaining holes with the appropriate color plugs.

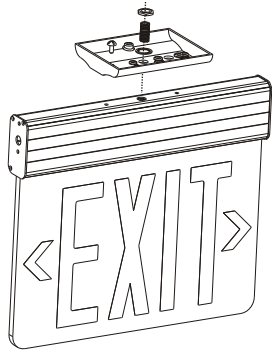
1. Secure the canopy bracket to the dependent object, such as the wall, ceiling, and so on.
2. Open the ALUMINUM cover.
3. Lock the ALUMINUM box and canopy with the screws.
4. Outlet the AC input leads (RED, BLACK, WHITE) from the ALUMINUM box and canopy's center hole, connect The AC input leads to AC power supply leads, connect the RED lead to a 277VAC power supply and the BLACK lead to a 120VAC power supply, WHITE lead to ground.
5. Lock the canopy into the canopy bracket with screws, then insert the battery wire terminal into the two pin male.
6. Snap the ALUMINUM cover.



(Side Wall Mount)

Side Wall Mount:

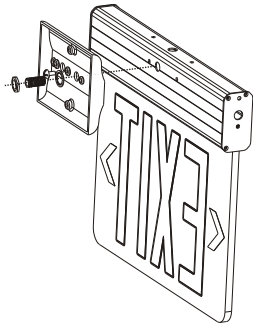
1. Mount canopy to End Plate of fixture using Holes "E" and "C" with (2)#10-24 screw and nut (included).
2. Run connection wires through the large hole between two mounting holes "E" and "C".
3. Mount the canopy with fixture attached to the Junction box. If necessary use the (included) spider plate.



(Top Ceiling Mount)

Top Ceiling Mount:

1. Mount the canopy to Top of the fixture using holes "A" ($\frac{3}{4}$ " 8-32 screw and locknut) and the large center hole (threaded nipple tube, washers and hexnuts)
2. Run feed wires through the threaded nipple tube.
3. Mount the canopy with fixture attached to the junction box. If necessary, use the included spider plate for proper orientation of the exit

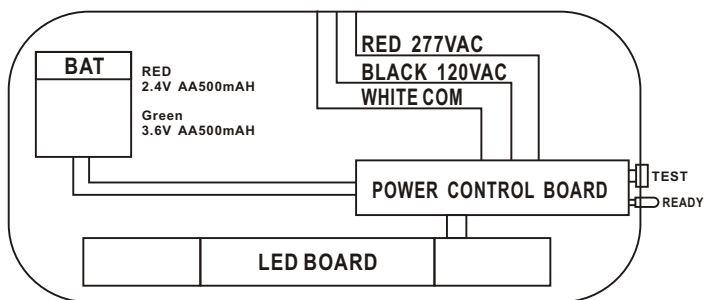


(Back Wall Mount)

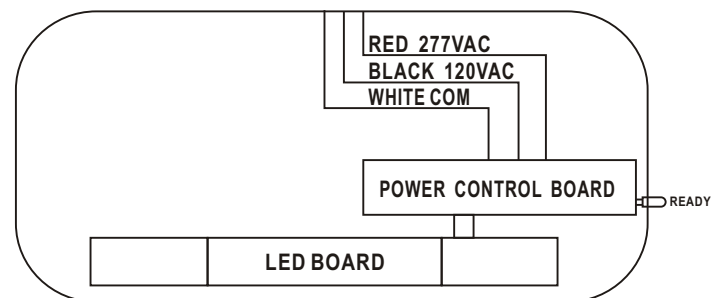
Back Wall Mount:

1. Mount canopy to the Junction box using the two recessed mounting holes. Make sure to pull the connection wires through the large hole in the center of the cover.
2. Run connection wires through the large hole in the back of the fixture.
3. Secure the fixture with (2)#10-24 screws by going directly into the threaded holes "A" and "C" in the Black Cover.

WIRING DIAGRAM



DC



AC

WARNING:

Unused wires must be capped using enclosed wire nuts.