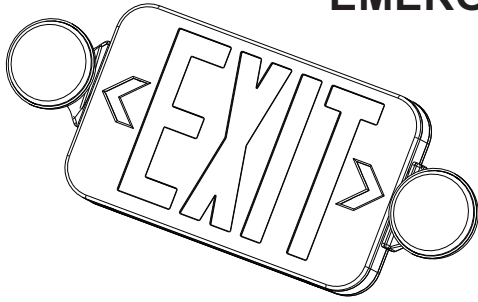


# INSTALLATION INSTRUCTIONS FOR COMBINATION EMERGENCY EXIT LIGHT



## **IMPORTANT SAFEGUARDS:**

When using electrical equipment, basic safety precautions should always be followed. Including the following

- 1) READ AND FOLLOW ALL SAFETY INSTRUCTIONS
- 2) Do not use outdoors.
- 3) Do not mount near gas or electric heater.
- 4) Use caution when handling batteries. Avoid possible shorting.
- 5) Equipment should be mounted at heights to prevent tampering by unauthorized personnel.
- 6) The use of accessory equipment is not recommended by the manufacturer, this may cause unsafe conditions.
- 7) Do not use this equipment for other than the intended use.
- 8) Save these instructions.

## **IMPORTANT:**

When relamping, only use lamps specified in the exit sign.

Using other lamp types may result in transformer damage or unsafe conditions.

Battery in this unit may not be fully charged.

After electricity is hooked up to unit, let the battery charge up for at least 24 hours.

Then normal operation of this unit should take effect.

## **Installation Instructions:**

### **Ceiling Mounting**

- 1) Connect 20" jumper leads to A.C. input leads in J-box, fasten J-box bracket to J-box. Use Black wire for 120 volt, Red wire for 277 volt, White wire is common.
- 2) Fasten canopy to J-box bracket.
- 3) Snap housing to canopy.
- 4) Connect and trim input leads to socket leads at upper left corner of housing wire channel.
- 5) Mount two Remote lamp head at most.
- 6) Secure face plate to housing. Remove the proper arrow as required.

### **Back Mounting**

- 1) Connect 20" jumper leads to A.C. input leads in J-box. Use Black wire for 120 volt, Red wire for 277 volt, White wire is common.
- 2) Remove necessary knockouts and fasten back cover to J-box.
- 3) Snap housing to back cover.
- 4) Connect and trim input leads to socket leads at upper left corner of housing wire channel.
- 5) Mount two Remote lamp head at most.
- 6) Secure face plate to housing.

## OPERATION

1. During an electrical power failure, the lamps on the unit will automatically come ON for a minimum of 90 minutes.
2. To test this unit, let it charge correctly with AC power supply for a minimum of 24 hours after its first installation and then depress the “TEST” switch, the emergency lamps will illuminate. When the switch is released, the lamps will turn OFF.
3. For the unit with Self-Diagnostic, must connect as below:

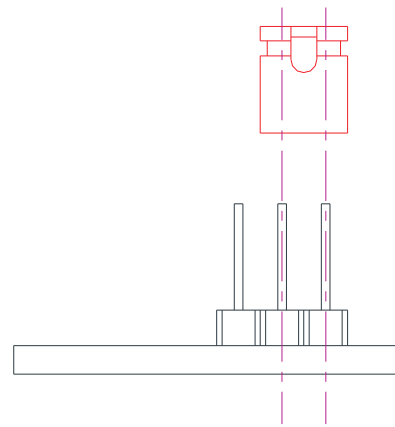
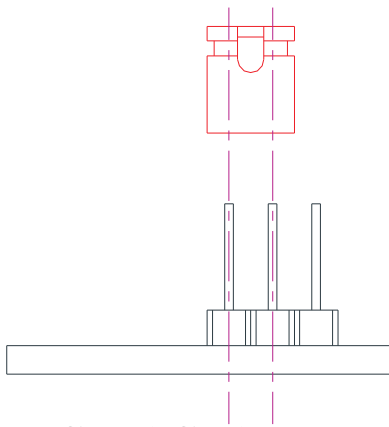
1) When customer doesn't need remote lamp, please insert terminal to N. (See Figure 1 below)

2) When customer needs remote lamp, please insert terminal to Y. (See Figure 2 below)

Figure 1



Figure 2



## LED WIRING DIAGRAM

### WARNING:

Unused wires must be capped using enclosed wire nuts.

## Wiring diagram

