

James Industry Group Co., Ltd



IP 65 Water Proof

UFO LED High Bay



Suitable Locations

- Warehouse
- Supermarkets
- Exhibition Hall
- Shipyard
- Cinema
- Gyms
- Logistics Center

Advantage

Lumen Output more than 130 lumens per watt

CRI more than 80

Dimming driver

Input voltage is AC100-277/200-480V

50/60Hz frequency

Reduces energy consumption up to 60%.

5 years warranty

Surface mounting installation

Suitable for wet location

UL and cUL

IP 65 water-proof

Product Discription

High Efficacy

This high bay light delivers 14,400 lumens at only 120 watts of consumption and is backed up by a 5 year manufacturers warranty allowing you to rest assured that quality has not been compromised to achieve output. Easily replaces HID 250-400W on ceilings under 25 feet.

Versatility

Multiple voltage input ranging from 100-277V with no special wiring requirements and comes equipped with 0-10V dimming compatibility which allows for use with 0-10V lighting controls such as motion, occupancy sensors, and daylight sensors. If dimming is not needed simply do not use the additional dimming wires and leave them capped off.

Certified Quality

This product has been independently certified to meet the specifications it claims by an organization called Design Lights Consortium. The DLC (as it is commonly referred to) maintains a list of products that are held to their high standards of quality and efficiency called the QPL or Quality Products List. Items listed within the DLC QPL have met the requirements set forth by Design Lights Consortium in order to remain on the QPL List. UL and cUL product certification is available as well.

Excellent Heat Management

The entire body of this fixture is designed to act as a heat sink allowing for excellent air flow over maximum surface area dissipating heat quickly and effectively which maximizes the life span and lumen output.

Savings Beyond The Power Bill

UFO rated 50,000 hour maintenance free life. With this light you will achieve 70% of the initial lumen output up to 50,000 hours. This not only saves you money in utility costs but this also eliminates costly maintenance expenses.

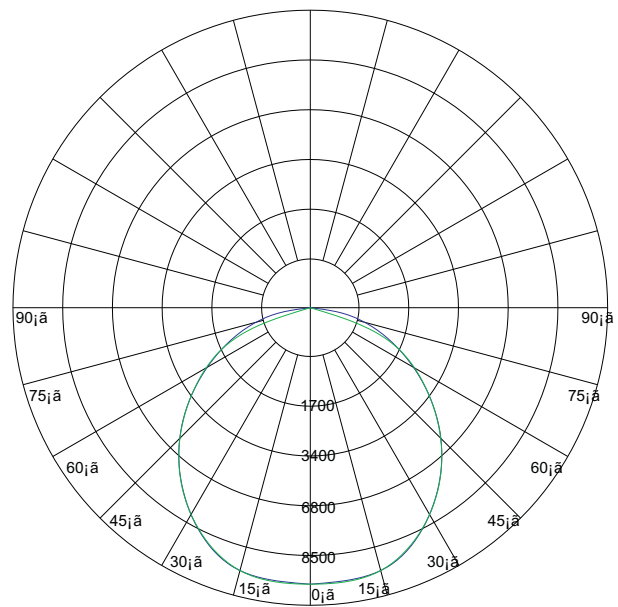
Multiple mounting options

The included mounting bracket is fully adjustable and has a ½ inch hole which could allow this fixture to be mounted to a threaded rod. If you don't want to use the mounting bracket then you may also use the included eye hook and simply hang the fixture from a chain.

Product Number	Power Consumption (W)	Dimensions (Inch)	Fixture Luminous Flux(lm)	Fixture Efficacy (Lm/W)	Color Temperature (K)
EV-U80W BDZ	80	12"/15"X8"	10,400	130	3000K-5700K
EV-U100W BDZ	100	12"/15"X8"	13,000	130	3000K-5700K
EV-U120W BDZ	120	15"X8"	15,600	130	3000K-5700K
EV-U150W BDZ	150	15"X8"	195,00	130	3000K-5700K
EV-U200W BDZ	200	15"X8"	26,000	130	3000K-5700K
EV-U240W BDZ	240	15"X8"	31,200	130	3000K-5700K

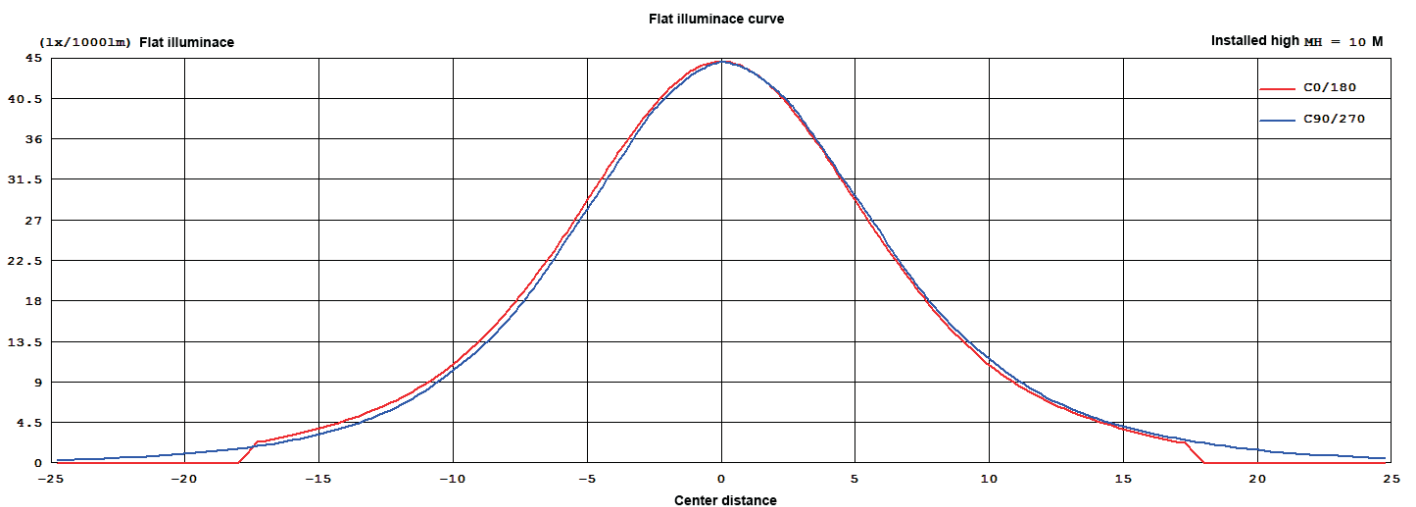
Photometric Data

Rated Power	80/100/120/150/200/240W
Input Voltage	100-277/200-480VAC
Frequency	50 / 60 Hz
Power Factor	> 0.9
Beam Angle	110°
CRI	≥ 80
Dimming Function	0 - 10 V
Operating Temperature	-30°C to 45°C

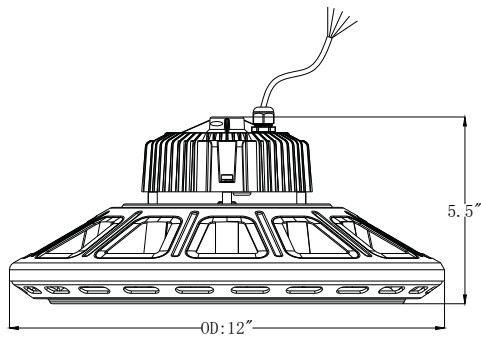
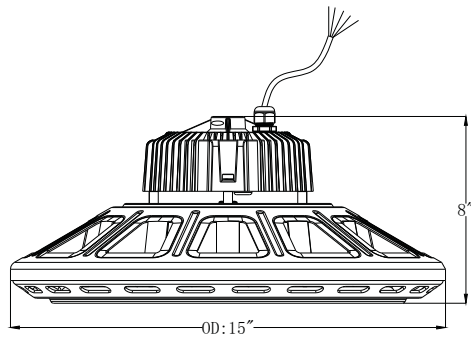
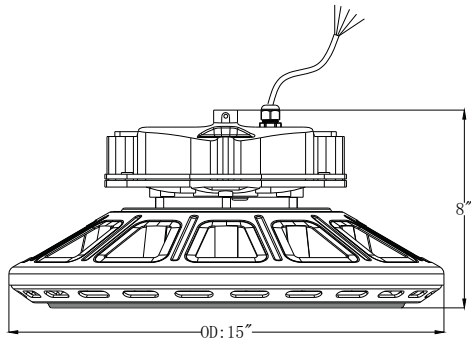


Mean Beam Angle: 113.7D

100W illuminance plots

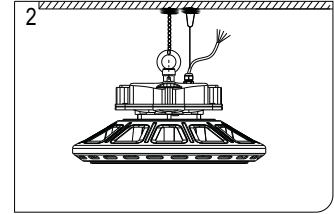
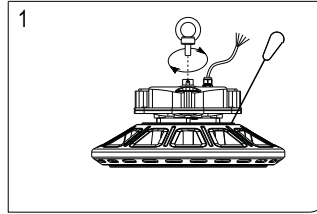


Dimension

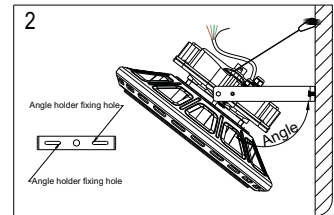
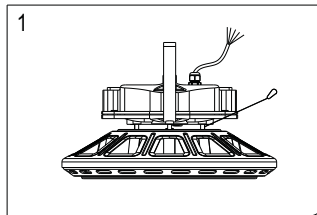


Mounting Options

Hook ring type



Angle changeable holder type



Hook clamp type

