

Date: _____ Location: _____
 Product: _____ Project: _____
 Quantity: _____ Catalog #: _____

LED LOC-ELHB MW MCCT High Bay



FEATURES

- Default Wattage is the highest wattage
 - 150W
- Default CCT: 5,000K
- IP66 rated
- SPD 6KV
- Corrosion resistant
- Easy installation and maintenance
- 50,000 hours lifetime

SUITABLE APPLICATIONS

- Warehouse
- Manufacturing facilities
- Convention centers
- Sporting Arenas
- Big-box retail stores
- Cold storage facilities
- Gymnasiums

CONSTRUCTION:

Corrosive resistant polyester powder coat finish.
 PC3000U lens. Aluminum Alloy.

OPTICAL SYSTEM:

Philips LED chips. 120° beam angle option.

WARRANTY:

5-year limited warranty. Actual performance may differ as a result of end-user environment and application.

ELECTRICAL:

Available as 100-277V input.

Operating Temperature: -30°C to 50°C, -22°F to 122°F

INSTALLATION & MOUNTING:

Hook mount.

DIMMING:

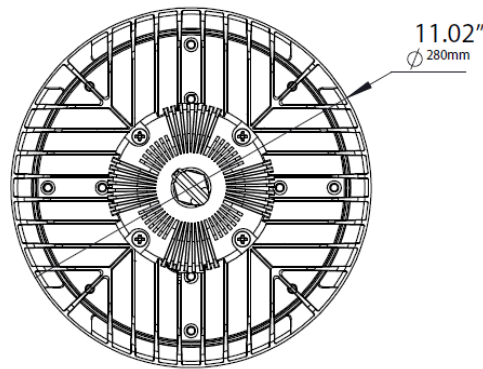
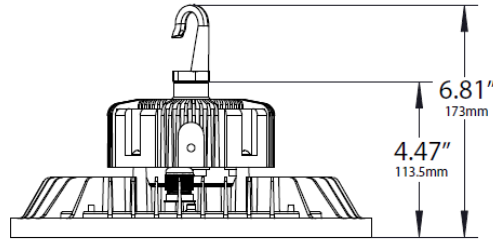
1-10V dimming



MODEL NUMBER – 3,000K / 4,000K / 5,000K	WATTAGE	LUMENS	EFFICACY	CRI	POWER FACTOR	THD
LOC-ELHB-MW(80/100/150)MCCT(30/40/50)-LV	80W	11,688.8LM	146.11LM/W	73	0.925	10%
LOC-ELHB-MW(80/100/150)MCCT(30/40/50)-LV	100W	14,611LM	146.11LM/W	73	0.925	10%
LOC-ELHB-MW(80/100/150)MCCT(30/40/50)-LV	150W	21,916.5LM	146.11LM/W	73	0.925	10%

Series	Multi Wattage	CCT Option	Voltage Options
LOC-ELHB	80W 100W 150W	3,000K 4,000K 5,000K	LV = 100-277VAC

MEASUREMENTS



MODEL	QUANTITY	WEIGHT	UPC CODE
LOC-ELHB-MW(80/100/150)MCCT(30/40/50)-LV	1	lbs	00810050941716

OPTIONAL ACCESSORIES



Motion Sensor
LOC-ANT-5-4T
(Compatible with remote control)



Remote Control
LOC-RC-100



Emergency Driver
LOC-HBEMDR-25WHV



PC Reflector