

# LEDone®

## LOC-ELHB MW Series Installation Guide

### SAFETY INSTRUCTIONS: Read instructions carefully before attempting to install fixture.

- All wiring should be performed by a qualified electrician.
- Disconnect power before installing or servicing. This fixture must be wired in accordance with the National Electrical Code and applicable local codes and ordinances.
- Proper grounding is required to ensure personal safety.

### CAUTION: Risk of fire

- **WARNING:** Make certain power is OFF before installing or maintaining fixture. No user serviceable parts inside.
- **WARNING:** Fixture must be connected to a wiring system with an equipment-grounding conductor.
- **WARNING:** Make sure the supply voltage is the same as the rated luminaire voltage.
- **WARNING:** Do NOT operate in ambient temperatures above those indicated in the fixture label.
- **WARNING:** Avoid use in environments containing sulfur, chlorine or other halides, methyl acetate or ethyl acetate, cyanoacrylates, glycol ethers, formaldehyde, or butadiene.

### CLEANING & MAINTENANCE:

CAUTION: Be sure the fixture temperature is cool enough to touch. Do NOT clean or maintain while the fixture is energized.

1. Clean glass lens with non-abrasive cleaning solution.
2. Do NOT open fixture to clean the LED. Do NOT touch the LED.

Note: These instructions do not cover all details or variation in equipment, nor do they provide for every possible situation during installation, operation or maintenance.

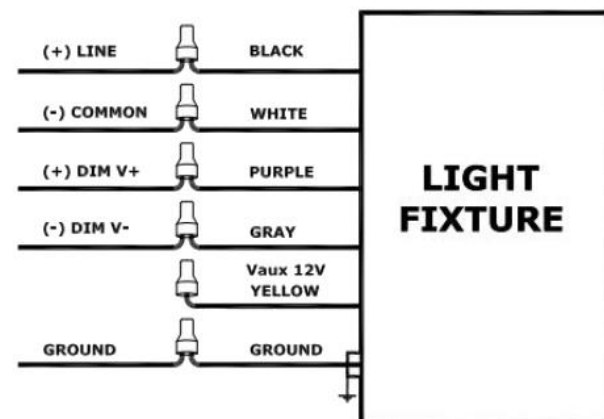
### TROUBLESHOOT:

- If the light will not come on:
  - **A.** Light switch is turned off. Turn light switch on.
  - **B.** Fuse is blown, or circuit breaker is turned off. Replace fuse or turn circuit breaker on.
  - **C.** Incorrect circuit wiring. Verify that fixture is wired properly.

### 0-10V DIMMABLE WIRING:

Universal voltage driver permits operation at 100V through 277V, 50/60Hz. A 5-wire cord is provided. For 0-10V dimming, follow the wiring instructions in diagram picture.

1. Connect the BLACK fixture lead to the (+) LINE supply lead.
2. Connect the WHITE fixture lead to the (-) COMMON supply lead.
3. Connect the GROUND wire from fixture to supply ground.  
Do NOT connect the GROUND of the dimming fixture to the output.
4. Connect the PURPLE fixture lead to the (V+) DIM lead.
5. Connect the GRAY fixture lead to the (V-) DIM lead.
6. Cap the YELLOW fixture lead, if present. Do NOT connect.



## MOUNTING:

### 1. HOOK MOUNTING:

- a. Fix the hook on the light. (Clockwise rotation)
- b. Use an electric drill to bore a hole in the wall.
- c. Install the hanger to the wall.
- d. Fix the hook onto the hanger and complete installation.



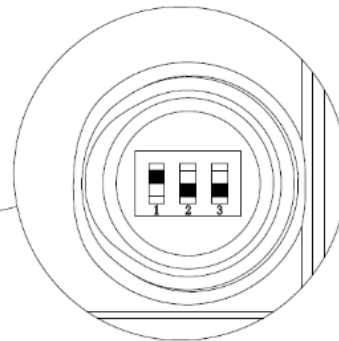
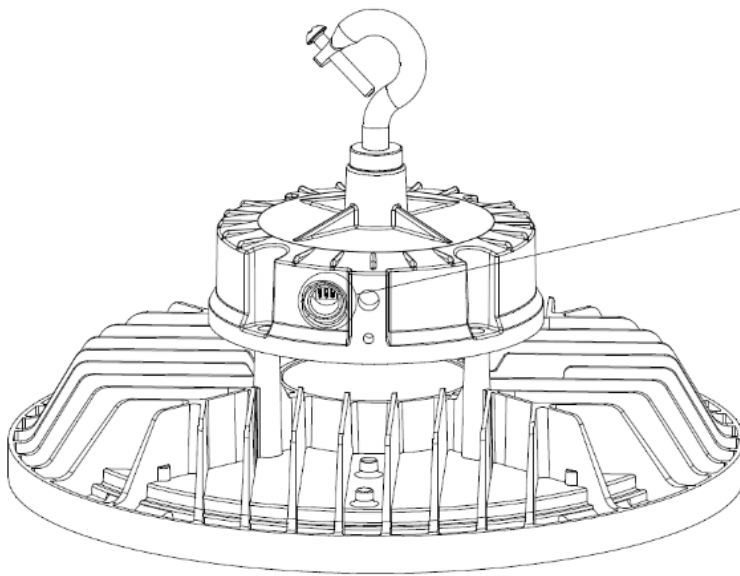
### 2. U-BRACKET MOUNTING:

- a. Use an electric drill to bore 2 holes in the wall.
- b. Set the expansion screws to the existing drilling holes.
- c. Install the bracket to the wall.
- d. Use a wrench to reverse hexagon nut adjust the requested angle.



## WATTAGE ADJUSTABLE TABLE SWITCH SETTING:

(Only for models with wattage adjustable functions.)



Default Wattage: 150W

LOC-ELHB-MW(80/100/150)50KD-LV

Wattage	Dip Switch Setting		
	1	2	3
80W	↓	↓	↓
100W	↓	↓	↑
150W	↑	↓	↓

Default Wattage: 250W

LOC-ELHB-MW(180/200/250)50KD-LV

Wattage	Dip Switch Setting		
	1	2	3
180W	↓	↓	↑
200W	↓	↑	↓
250W	↑	↓	↓