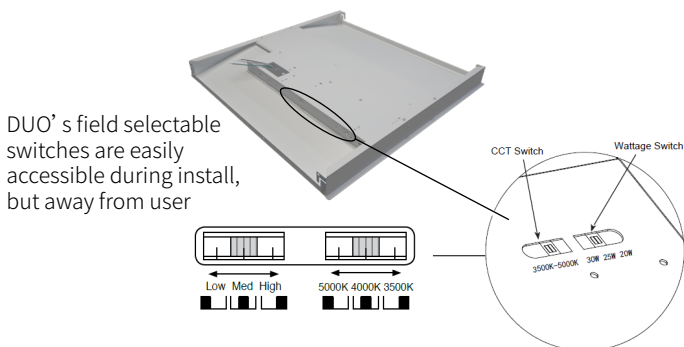




The DUO Selectable Low Profile troffer provides a low profile, low glare lighting solution that fits low height installations, is more aesthetically pleasing and for uses that require a warmer yet professional presentation. It includes two DIP switches to easily and reliably adjust CCT and lumens. For use in general office lighting, providing suitable light without any of the maintenance issues associated with fluorescent tubes. 3 CCT options and 3 lumen package options can save more on inventory cost.

| PRODUCT SPECS | |
|---------------------|---|
| Input Voltage (VAC) | 120-277, 50/60 Hz |
| CRI | 80 |
| CCT (K) | 3500, 4000, 5000 Selectable |
| Selectable Wattages | 20W, 25W, 30W (1X4/2X2) – 25W, 30W, 35W (2X4) |
| PF | .9 |
| THD | 20% |



DUO's field selectable switches are easily accessible during install, but away from user

| PROJECT DETAILS | | TYPE |
|-----------------|--|------|
| Project: | | |
| Product: | | |
| Prepared by: | | |
| Notes: | | |

| APPLICATIONS | | |
|------------------------------------|--------------------------|--|
| Application | Small/Partitioned Office | |
| Fixture Type | Lay-in Troffer / FP (P) | |
| Office and Meeting Space | X | |
| Educational Facilities | X | |
| Industrial and Distribution | | |
| Hospital and Healthcare Facilities | X | |
| Garage and Parking Lot | | |
| Parks and Recreation | X | |

ENABLED: Bluetooth® TruBlue SILVAIR

CERTIFICATIONS AND COMPATIBILITIES

| Order Format | | Example: ECRT22-20W-T1 | | | |
|--------------|------------|------------------------------|------------------------------------|--|---------------------|
| Series | Size | Wattage | CCT | Driver | Option |
| ECRT | 22 = 2'x2' | 20W = 20W/25W/30W Selectable | T1 = 3500K/4000K/5000 K Selectable | Blank = 100-277VAC, without 12VDC AUX R0=100-277VAC, with 12VDC AUX | See accessory table |
| | 24 = 2'x4' | 25W = 25W/30W/35W Selectable | | | |
| | 14 = 1'x4' | 20W = 20W/25W/30W Selectable | | | |

| INFORMATION FOR LIGHTING CONTROLS APPLICATIONS | | |
|---|--|---|
| <p>LLLC - Luminaire Level Lighting Control (Mesh Network)</p> <p>LLLC</p> <p> </p> <p>Control-luminaire groupings typified by needs to a space or user, coordinated via wireless signals, executed at each luminaire. LLLC and networked solutions are highlighted by ability to operate independently or in mesh coordination. Note: they are not related by a power circuit.</p> | <p>LALC - Local Area Lighting Control (Circuit Level)</p> <p>LALC</p> <p> </p> <p>LALC solutions are highlighted by their "many to one" arrangements. This can save on hardware costs with minimal labor increases. Characteristically they are linked (related) by power or control wires.</p> | <p>SALC - Stand Alone Fixture Control</p> <p>SAFC</p> <p>Pole POLE</p> <p>*possibly rebated on fixture only</p> <p>SALC solutions have sensors that typically only detect and individually control a single fixture. Characteristically they have A) 1:1 sensor to fixture relationship; B) sensor integrally wired and/or affixed to fixture; C) Likely to have physical settings on the sensor, but may have hand held program tool.</p> |

CONTROLS, OPTIONS, AND ACCESSORIES

↓ CLICKABLE LINKS ↓

LLLC - LUMINAIRE LEVEL LIGHTING CONTROL (MESH NETWORK)

| ATG Code | Description | Model Number [°] |
|----------|--|--|
| W1 | Bi-level PIR Integrated Mount Occupancy Sensor DLH | PSC-BL-I-RD-DC0-BLE-SR |
| PP7 | 12V power supply for fixture mount with relay | PSC-AC-PP-700C |

LALC - LOCAL AREA LIGHTING CONTROL (CIRCUIT LEVEL)

| ATG Code | Description | Model Number |
|----------|---|--|
| W7 | Wireless Dimmer Switch | PSC-DM-WS-100-BLE-SR |
| W8 | Wireless Dimming Occupancy Switch | PSC-DM-I-WS-100-BLE-SR |
| W9 | 12V Wireless Fixture Controller | PSC-WCM-50-DC0-BLE-SR |
| W15 | Ceiling Mount PIR Occupancy Sensor | PSC-ND-I-CM-DC-BLE-SR |
| PP5 | Room Controller, KO Mount, 120-277In / 12DC and 0-10V Out / 16A | PSC-WCM-450-BLE-SR |
| PP2 | Dimming Power Pack, Fixture Mount, 120-277Vac Input, 12.5Vdc Output / 10A | PSC-AC-PP-200 |

SALC - STAND ALONE FIXTURE CONTROL

| ATG Code | Description | Model Number |
|----------|---|----------------------|
| SI | PIR Sensor with Daylight Function, 12VDC Driven, 3.5mm jack socket version | IFS06R [†] |
| SJ | PIR Sensor with Daylight Function, 12VDC Driven | HP05VCR [‡] |
| SU | PIR sensor, with daylight function, 12VDC driven, for DUO Panel/Troffer/Direct Kit, jack socket version | ANT-1P-4T |
| RI | Remote Control for EFS06R, IFS06R, MWS01 | RM-51 |
| RJ | Remote Control for HP05VCR | HD05R |
| RU | Remote Control for ANT Sensors | RC-105 |

MOUNTING OPTIONS AND ACCESSORIES

| ATG Code | Description | Model Number |
|----------|--|---------------------|
| SMK22 | 2x2 Surface Mount Kit | HAC-CLMB0-0600A0-RS |
| SMK24 | 2x4 Surface Mount Kit | HAC-CLMB0-0612A0-RS |
| E2 | Emergency Kit, Input: 120-277VAC, Emergency Output: 8W, 170VDC, Li-ion Battery | EMH-08170-FY |

[†] IFS06R sensor can be factory installed, contact ATG Sales for information

[‡] HP05VCR sensor can be factory installed. Contact ATG Sales for information

[°] PSC sensors and Power packs are field installed by 3rd party

PROJECTED LUMEN MAINTENANCE

| Model | Ambient Test Temp | Reported Hours | 0 Hours | 25,000 Hrs | TM-21-11 L90@54K Hrs | 50,000 Hours | 100,000 Hours | L70 Hours |
|---------------|-------------------|----------------|---------|------------|----------------------|--------------|---------------|-----------|
| ECRT22-20W-T1 | 25° C/77° F | 54,000 | 1 | 0.9587 | 0.9073 | 0.9142 | 0.8313 | 190,000 |
| ECRT24-25W-T1 | 25° C/77° F | 54,000 | 1 | 0.9585 | 0.9068 | 0.9138 | 0.8305 | 187,000 |
| ECRT14-20W-T1 | 25° C/77° F | 54,000 | 1 | 0.9587 | 0.9073 | 0.9142 | 0.8313 | 190,000 |

DLC Reported Hours = Max 6X LM-80 tested duration (Seoul Semiconductor Co., LTD STW8A2PD-XX @ 9,000 Hrs)

CONSTRUCTION

The DUO Troffer's discreet, low-profile frame is fitted from sheet metal, and uses a polycarbonate lens. The frosted diffuser is used to enhance consistency of light distribution. The slim design allows for versatile placement of the luminaire, even when recessed mounting is not available. The fixture is coated with a proprietary paint blend and dieformed for dimensional consistency.

LUMEN DATA

| Part Number | Nominal Wattage(W) | 3500K | | | 4000K | | | 5000K | | |
|---------------|--------------------|---------|----------|--------|---------|----------|--------|---------|----------|--------|
| | | Wattage | Efficacy | Lumens | Wattage | Efficacy | Lumens | Wattage | Efficacy | Lumens |
| ECRT22-20W-T1 | 30 | 28.9 | 132.8 | 3839 | 27.8 | 144.6 | 4020 | 28.8 | 134.5 | 3875 |
| | 25 | 23.7 | 136.8 | 3241 | 22.9 | 147.5 | 3377 | 23.7 | 138.5 | 3283 |
| | 20 | 19.0 | 140.1 | 2661 | 18.5 | 149.2 | 2760 | 19.1 | 142.0 | 2713 |
| ECRT24-25W-T1 | 35 | 34.5 | 124.9 | 4308 | 32.7 | 139.5 | 4561 | 34.0 | 126.4 | 4298 |
| | 30 | 29.4 | 128.9 | 3789 | 27.9 | 142.5 | 3977 | 29.0 | 130.6 | 3788 |
| | 25 | 24.2 | 132.9 | 3217 | 23.2 | 145.1 | 3367 | 24.0 | 134.4 | 3225 |
| ECRT14-20W-T1 | 30 | 29.1 | 129.7 | 3781 | 28.1 | 143.8 | 4046 | 29.1 | 131.2 | 3824 |
| | 25 | 23.9 | 134.8 | 3223 | 23.9 | 148.3 | 3544 | 23.9 | 140.2 | 3351 |
| | 20 | 19.3 | 139.4 | 2687 | 19.3 | 153.3 | 2959 | 19.3 | 145.0 | 2798 |

*Data for 2x2 and 2x4 troffer is based on in-house IES data

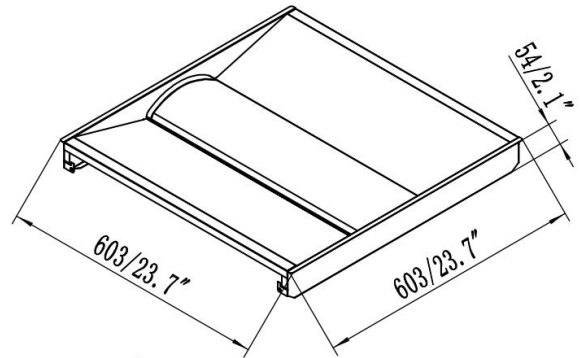
*Data for 1x4 troffer is based on in-house IES data and extrapolated data

*DLC reported data is based on worst case (lowest CCT, highest wattage)

Dimensions

| PART NO. | SCALE | LENGTH | WIDTH | DEPTH |
|----------|-------|--------|-------|-------|
| ECRT22 | inch | 23.7 | 23.7 | 2.1 |
| | mm | 603 | 603 | 54 |

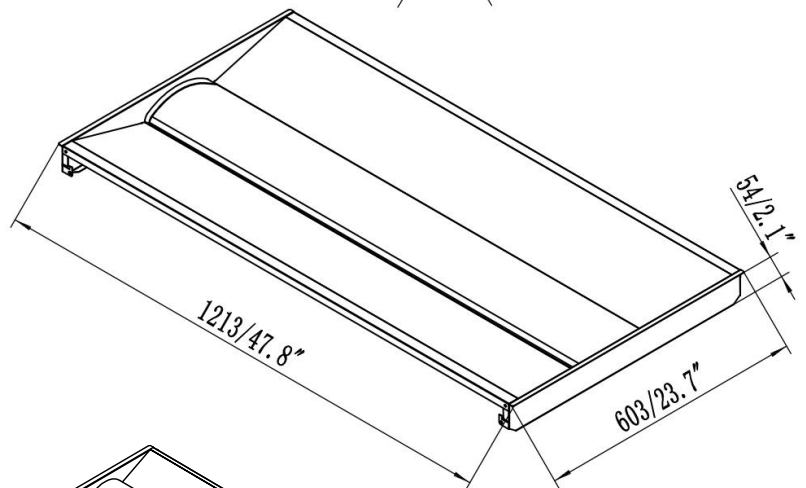
Recorded in inches



Dimensions

| PART NO. | SCALE | LENGTH | WIDTH | DEPTH |
|----------|-------|--------|-------|-------|
| ECRT24 | inch | 47.8 | 23.7 | 2.1 |
| | mm | 1213 | 603 | 54 |

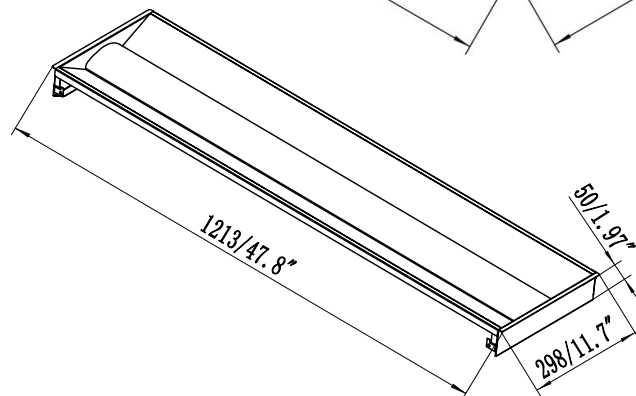
Recorded in inches



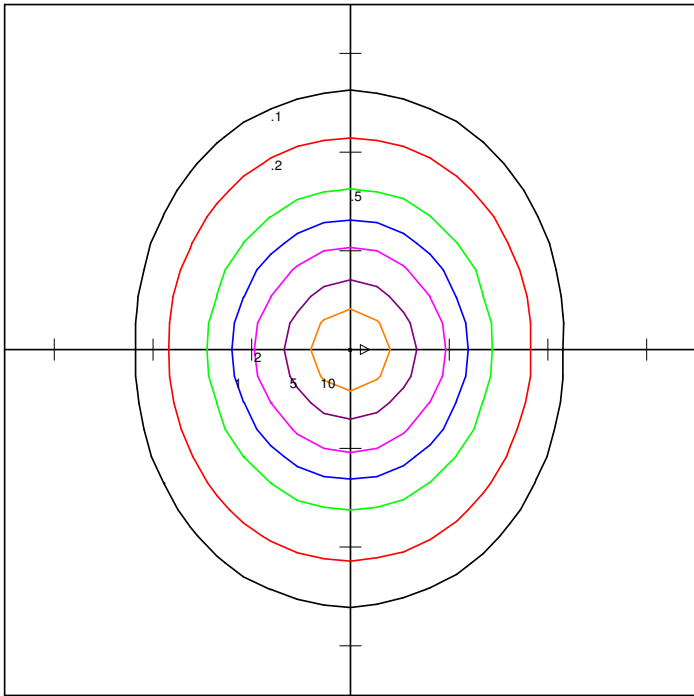
Dimensions

| PART NO. | SCALE | LENGTH | WIDTH | DEPTH |
|----------|-------|--------|-------|-------|
| ECRT14 | inch | 47.8 | 11.7 | 1.97 |
| | mm | 1213 | 298 | 60 |

Recorded in inches

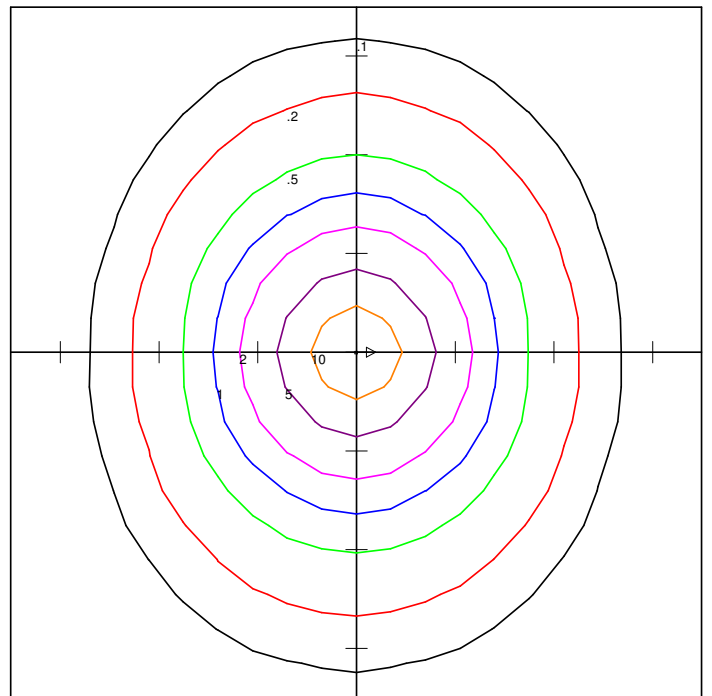


ISO-LINES



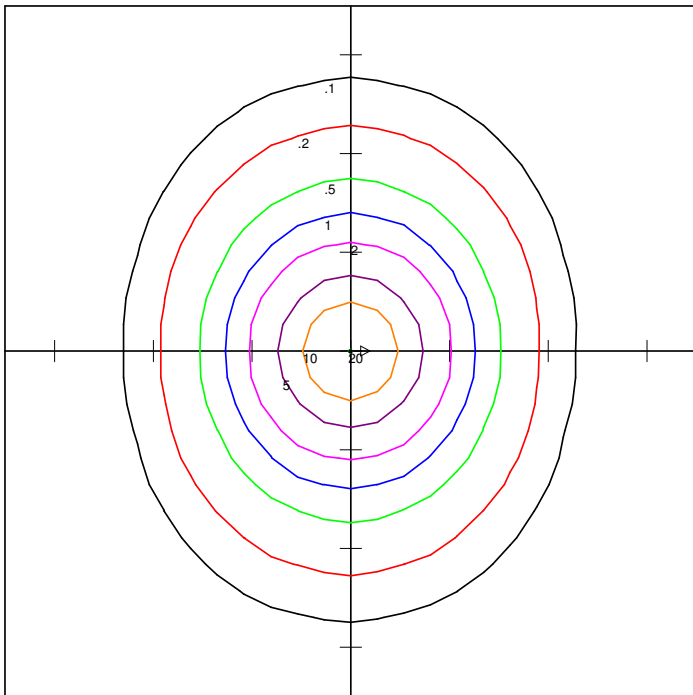
ATG Electronics
ECRT22-20W-T1 20W 3500K

Horizontal Footcandles
Scale: 1 Inch = 10 Ft.
Light Loss Factor = 1.00
Lumens Per Lamp = 2660.7
Total Lamp Lumens = 2660.7
Mounting Height = 8.00 Ft
Maximum Calculated Value = 16.69 Fc
Arrangement: Single



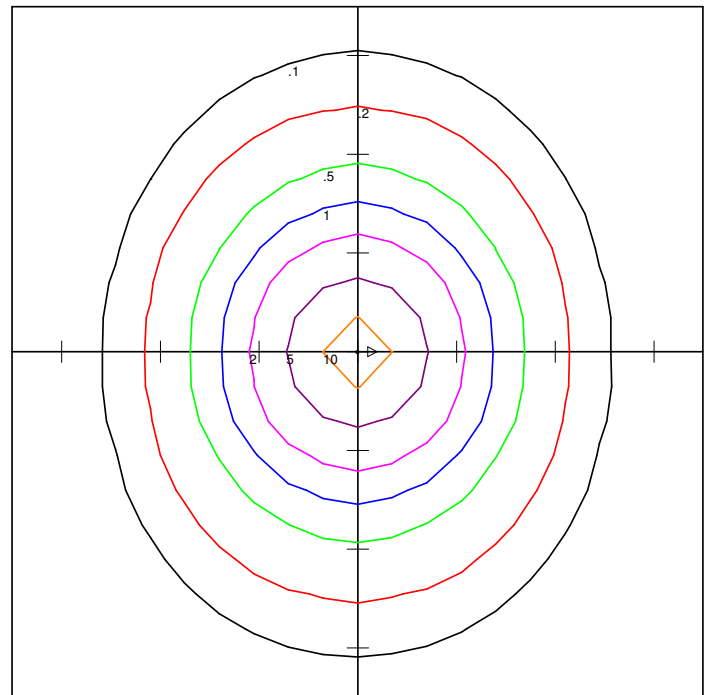
ATG Electronics
ECRT22-20W-T1 30W 5000K

Horizontal Footcandles
Scale: 1 Inch = 10 Ft.
Light Loss Factor = 1.00
Lumens Per Lamp = 3875.3
Total Lamp Lumens = 3875.3
Mounting Height = 10.00 Ft
Maximum Calculated Value = 15.37 Fc
Arrangement: Single



ATG Electronics
ECRT22-20W-T1 25W 3500K

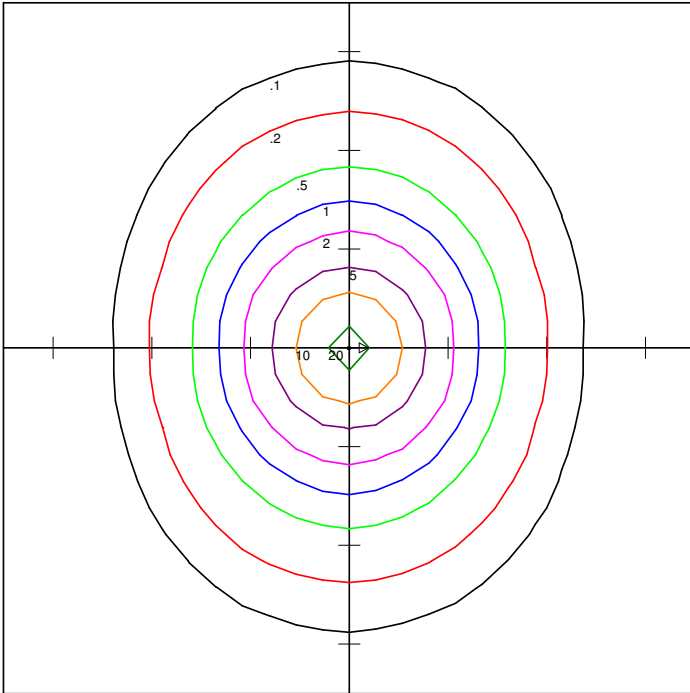
Horizontal Footcandles
Scale: 1 Inch = 10 Ft.
Light Loss Factor = 1.00
Lumens Per Lamp = 3240.5
Total Lamp Lumens = 3240.5
Mounting Height = 8.00 Ft
Maximum Calculated Value = 20.31 Fc
Arrangement: Single



ATG Electronics
ECRT22-20W-T1 25W 5000K

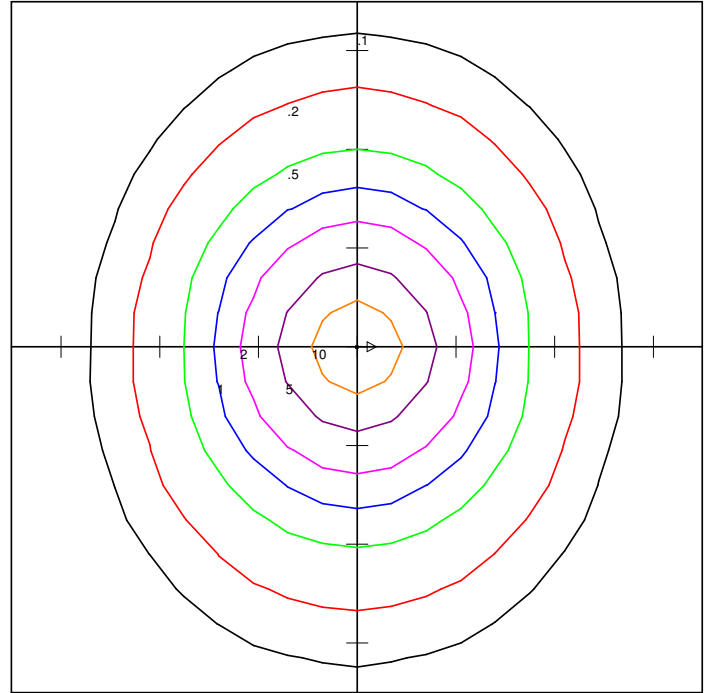
Horizontal Footcandles
Scale: 1 Inch = 10 Ft.
Light Loss Factor = 1.00
Lumens Per Lamp = 3283
Total Lamp Lumens = 3283
Mounting Height = 10.00 Ft
Maximum Calculated Value = 13.02 Fc
Arrangement: Single

ISO-LINES



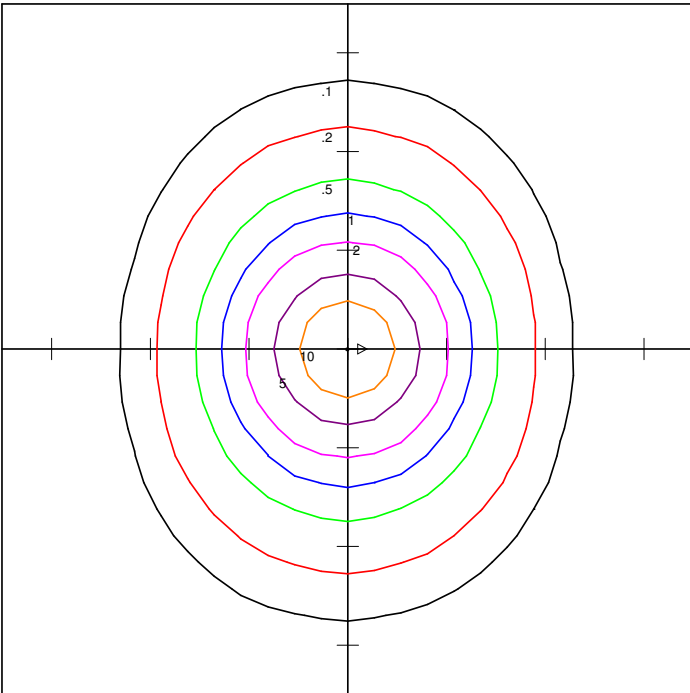
ATG Electronics
ECRT22-20W-T1 30W 3500K

Horizontal Footcandles
Scale: 1 Inch = 10 Ft.
Light Loss Factor = 1.00
Lumens Per Lamp = 3839.1
Total Lamp Lumens = 3839.1
Mounting Height = 8.00 Ft
Maximum Calculated Value = 24.07 Fc
Arrangement: Single



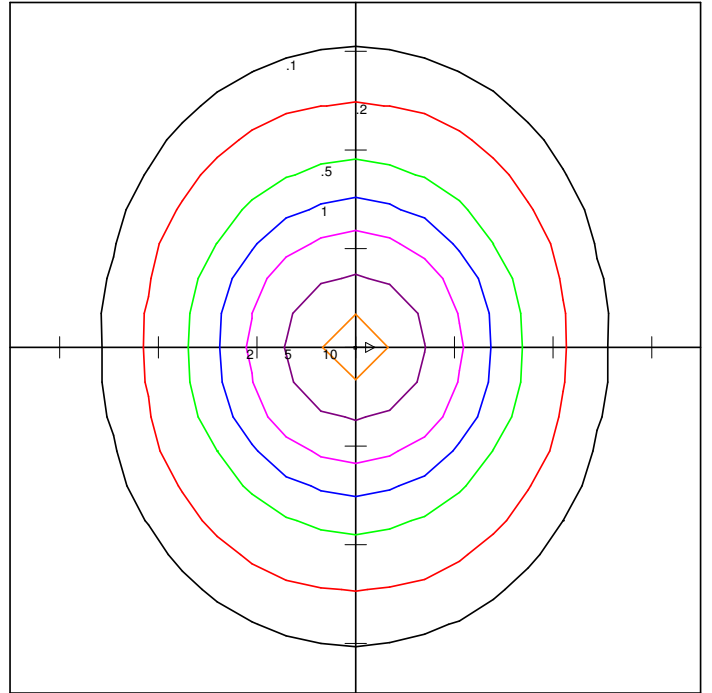
ATG Electronics
ECRT22-20W-T1 30W 5000K

Horizontal Footcandles
Scale: 1 Inch = 10 Ft.
Light Loss Factor = 1.00
Lumens Per Lamp = 3875.3
Total Lamp Lumens = 3875.3
Mounting Height = 10.00 Ft
Maximum Calculated Value = 15.37 Fc
Arrangement: Single



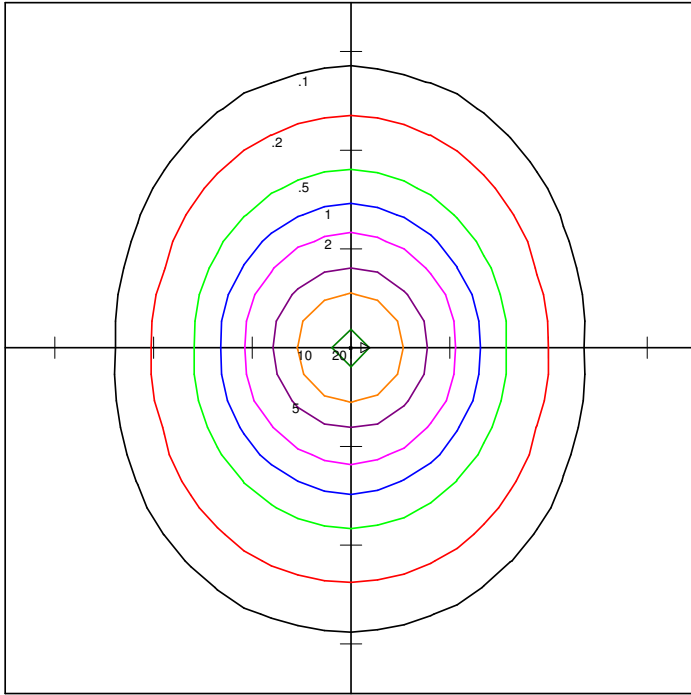
ATG Electronics
ECRT24-25W-T1 25W 3500K

Horizontal Footcandles
Scale: 1 Inch = 10 Ft.
Light Loss Factor = 1.00
Lumens Per Lamp = 3217.1
Total Lamp Lumens = 3217.1
Mounting Height = 8.00 Ft
Maximum Calculated Value = 19.89 Fc
Arrangement: Single



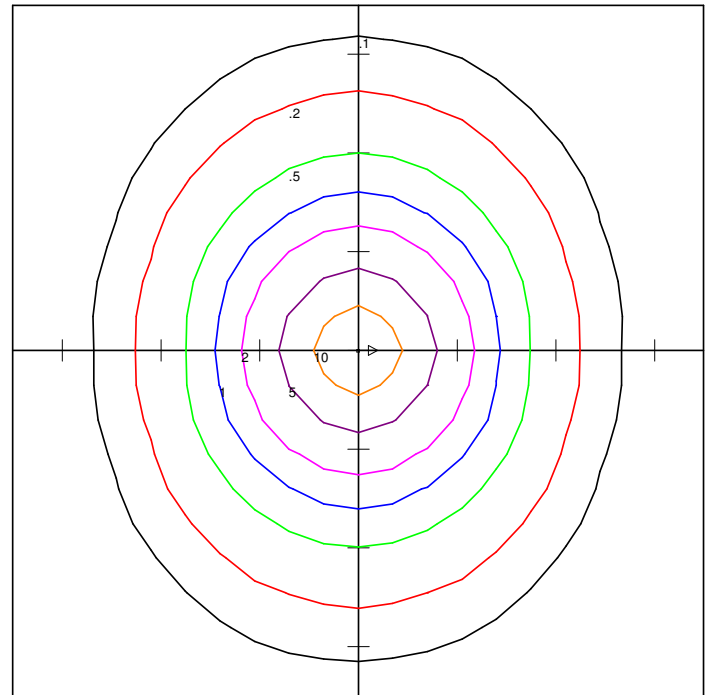
ATG Electronics
ECRT24-25W-T1 25W 5000K

Horizontal Footcandles
Scale: 1 Inch = 10 Ft.
Light Loss Factor = 1.00
Lumens Per Lamp = 3224.9
Total Lamp Lumens = 3224.9
Mounting Height = 10.00 Ft
Maximum Calculated Value = 12.63 Fc
Arrangement: Single



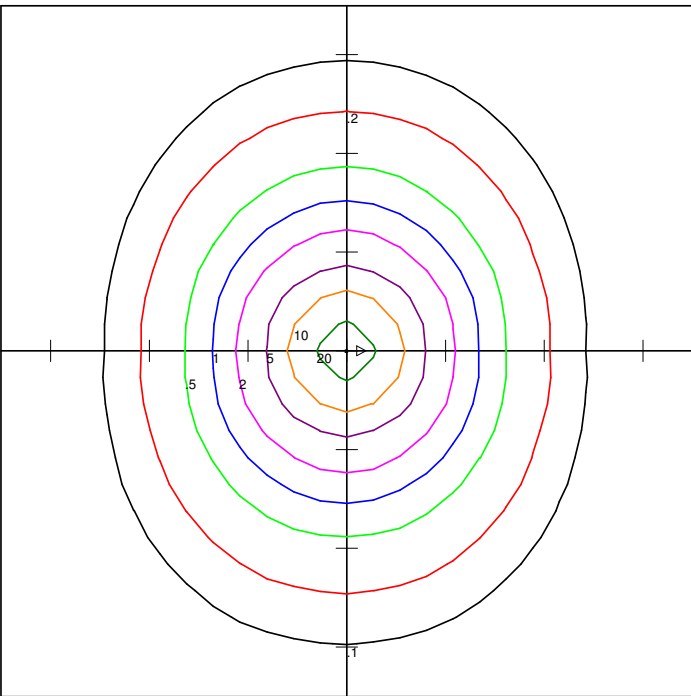
ATG Electronics
ECRT24-25W-T1 30W 3500K

Horizontal Footcandles
Scale: 1 Inch = 10 Ft.
Light Loss Factor = 1.00
Lumens Per Lamp = 3788.5
Total Lamp Lumens = 3788.5
Mounting Height = 8.00 Ft
Maximum Calculated Value = 23.43 Fc
Arrangement: Single



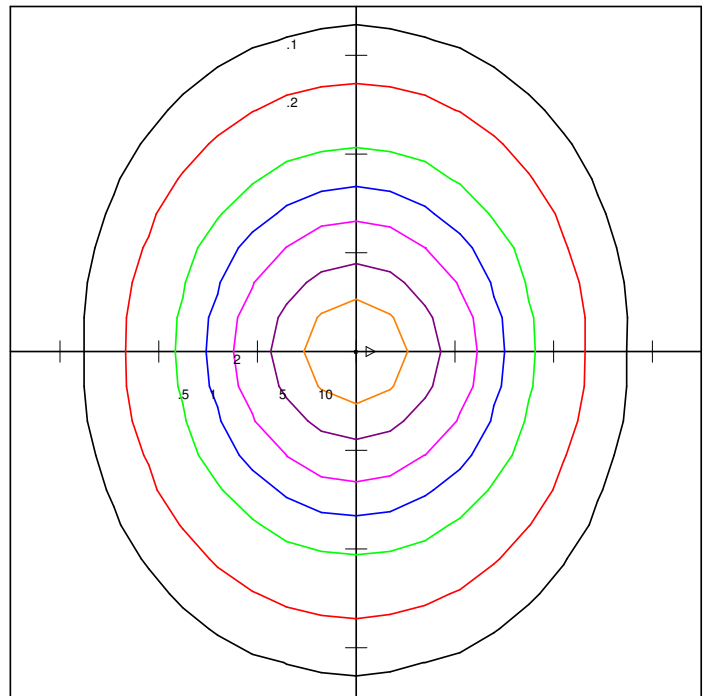
ATG Electronics
ECRT24-25W-T1 30W 5000K

Horizontal Footcandles
Scale: 1 Inch = 10 Ft.
Light Loss Factor = 1.00
Lumens Per Lamp = 3788.4
Total Lamp Lumens = 3788.4
Mounting Height = 10.00 Ft
Maximum Calculated Value = 14.83 Fc
Arrangement: Single



ATG Electronics
ECRT24-25W-T1 35W 3500K

Horizontal Footcandles
Scale: 1 Inch = 10 Ft.
Light Loss Factor = 1.00
Lumens Per Lamp = 4307.6
Total Lamp Lumens = 4307.6
Mounting Height = 8.00 Ft
Maximum Calculated Value = 26.64 Fc
Arrangement: Single

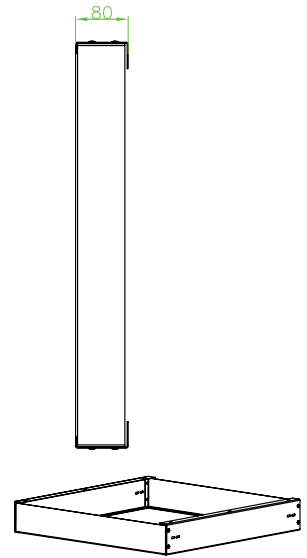
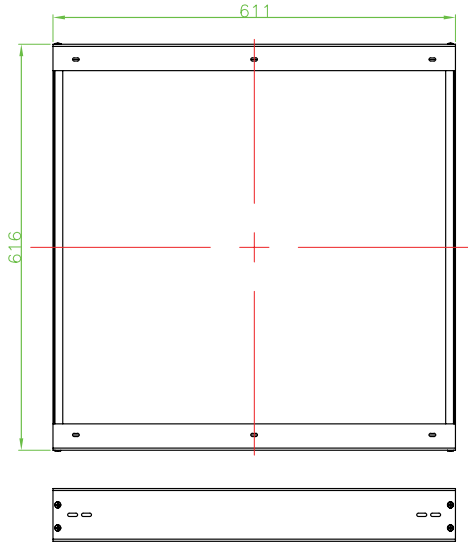


ATG Electronics
ECRT24-25W-T1 35W 5000K

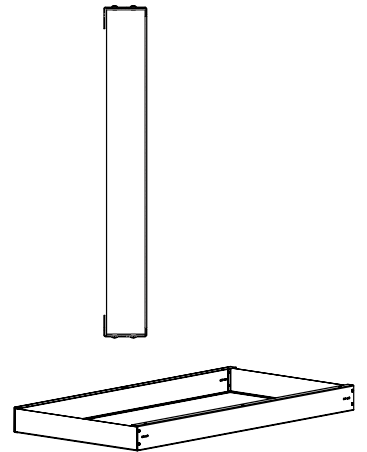
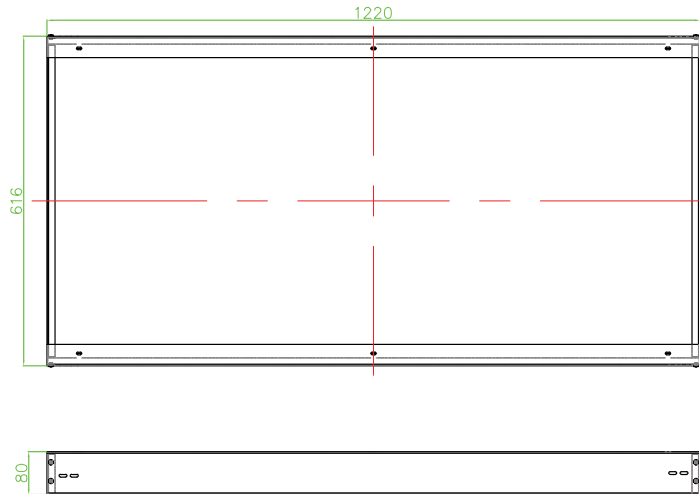
Horizontal Footcandles
Scale: 1 Inch = 10 Ft.
Light Loss Factor = 1.00
Lumens Per Lamp = 4297.6
Total Lamp Lumens = 4297.6
Mounting Height = 10.00 Ft
Maximum Calculated Value = 16.83 Fc
Arrangement: Single

Mounting Kits

2x2 Surface Mount Kit
HAC-CLMB0-0600A0-RS



2X4 Surface Mount Kit
HAC-CLMB0-0612A0-RS



5 Year Warranty

ATG Electronics®

Industry Leading 5 Year Limited Warranty

For North American LED Lighting Fixtures

ATG Electronics warrants to the original purchaser of ATG Electronics Domestic LED products listed above that were manufactured for which the ATG Electronics Spec Sheet located on our website contains the words "5 year limited warranty" that, subject to the below terms and conditions of this warranty, when such LED products are properly installed they will comply with ATG Electronics published product specifications for such products and will be free from material defects in material and workmanship for a period of five (5) years from the date of sale by ATG Electronics, or, if lesser, 50,000 hours of operation (at an average of 13.6 hours per day operation). The LED arrays in the Product(s) will be considered defective in material or workmanship only if a total of 15% or more of the individual light emitting diodes in the Product(s) fail to illuminate.

The above express limited warranty is extended by ATG Electronics® only to the original or first end-user purchaser and only for the original installed location. This warranty only applies to products purchased after June 1, 2017. This warranty is non-transferrable, whether by assignment or operation of law. The original purchaser must provide warranty claims to ATG Electronics within the warranty period promptly upon discovery and in accordance with ATG Electronics Return and Repair Procedures as outlined within this document.

Should any defects be found by ATG Electronics upon its inspection of the properly returned product, ATG Electronics sole responsibility and liability under this warranty will be, at its option, to either repair or replace the defective part or parts or else make available a new replacement unit that will provide equal or better performance. All decisions regarding the existence or non-existence of defects or otherwise affecting the warranty shall be made by ATG ELECTRONICS and shall be final and binding on all parties. Where a defective LED product is replaced under this warranty, the balance of the original warranty period shall remain effective.

Conditions and Exclusions

This warranty is conditioned upon proper installation, use and maintenance. This warranty will automatically become null and void and shall not be applicable to any LED fixture which (i) has not been timely paid for, (ii) is not installed and operated in accordance with the current edition of The National Electric Code (NEC), the Standards for Safety of Underwriters' Laboratory, Inc. (UL) or with ATG Electronics instructions and guidelines, (iii) has been moved from its original installation, (iv) has been installed within an area that has exposure to sulfur or any area with high acidic compounds in use, (v) has been operated in an ambient temperature or humidity that is higher than the stated ambient operating range from datasheets, (vi) has been subjected to a lightning strike, power surge or overvoltage condition, (vii) has its LED Board subjected to static electricity due to failure to discharge same prior to connecting or disconnecting the lead from the LED board, (viii) was not installed and/or operated in accordance with ATG Electronics instructions and guidelines, (ix) has been mishandled, misused, abused, tampered with, modified or altered by anyone other than ATG ELECTRONICS, (x) has been subjected to abnormal stresses and operating conditions, or (xi) has been operated without overvoltage and lightning protection devices in place.

Limitations

Disclaimers & Limitations of Liability

The foregoing warranty is exclusive of all other statutory, written or oral warranties and no other warranties of any kind, statutory, by operation of law or course of performance, or otherwise, are given, herein expressed or otherwise received. EXCEPT AS EXPRESSLY PROVIDED ABOVE, ATG ELECTRONICS DISCLAIMS ALL REPRESENTATIONS, WARRANTIES AND CONDITIONS OF ANY KIND, EXPRESS OR IMPLIED, REGARDING THE LED PRODUCTS AND ITS SERVICES, INCLUDING, WITHOUT LIMITATION, THE IMPLIED WARRANTIES OF MERCHANTABILITY AND FITNESS FOR A PARTICULAR USE OR PURPOSE.

LIMITATION OF LIABILITY. Other than the obligation to repair or replace as provided above, ATG Electronics shall have no liability for any losses, expenses or damages as a result of the installation, use, inability to use, removal or replacement of any LED product. ATG Electronics will not under any circumstances whether as a result of breach of contract, breach of warranty, tort, strict liability or otherwise be liable for consequential, incidental, special or exemplary damages including but not limited to, loss of profits or revenues, loss of any other goods or associated equipment or damage to any associated equipment, cost of capital, cost of substitute products, facilities or services, down time cost or claims of claimant's customers. ATG Electronics liability on any claim of any kind for any loss or damages arising out of, resulting from or concerning any LED product, any aspect of this warranty or for any products or services furnished hereunder shall not exceed the price of the fixture which gives rise to the claim.

Return and Repair Procedures

All warranty requests and or questions are to be directed to ATG Electronics Customer Service Department (CSD) at 888-618-7298. If deemed necessary, the CSD will issue a Returned Merchandise Authorization (RMA) number which must be included on both the packing slip of the component or fixture being returned and on the outside of the box. You must include your name and contact information, including your email address, on the packing slip so that we can contact you easily. Each component or fixture must be packaged very carefully and properly so as to prevent damages in shipment and must be shipped freight prepaid. Please obtain a proof of delivery to ensure that the material is received.

Once the component or fixture has been received and tested, an evaluation report will be provided to the end user via email. This report will clarify the following:

- A) The component / fixture is covered under the warranty policy and will either be repaired or replaced.
- B) The component / fixture is not covered under the warranty policy and the reason for this determination.

If ATG ELECTRONICS determines that the component or fixture is covered under the warranty, then the appropriate repairs will be started or a replacement fixture will be manufactured and shipped. Please note that in the event the returned component or fixture is found not to be covered under this warranty, you may be subject to a labor charge for the evaluation process and will be responsible for all return shipping charges and fees. For components and fixtures determined to be covered under this warranty prior to the first anniversary of the Sale Date, the repaired or replacement component or fixture will be returned to you at no charge. You will be responsible for all other shipping charges.

No Labor Reimbursement

All components and fixtures determined to be covered by this warranty as provided above, will be repaired or replaced at no charge to the customer, however, except as expressly provided above with respect to recessed and linear fixtures during the first year, the customer must hire and pay for an electrician to remove and reinstall such components and fixtures. No labor costs will be covered for the removal or reinstallation of any components or fixtures. The warranty does not cover modifications, repairs or replacements, or the related labor or materials costs, that may be necessary to facilities or third party products in connection with the removal, repair, or replacement of any LED product under this warranty.