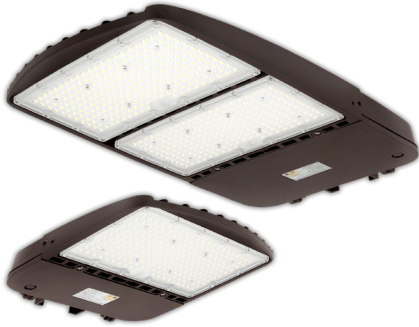


Project:	Catalog#:	Type:
Prepared By:	Notes:	Date:

## E4SB

LED Area Light  
Integrated dusk-to-dawn photocell  
2 housing profile options • 10yr Warranty



## Overview

The E4SB series area light from Energetic is a thoughtful recreation of the classic shoebox area light fixture, combined with the best of leading LED technology. The fixture footprint gives that classic look, while the slim tapered, self-cleaning profile suggests exceptional performance. The tested efficacy up to 141 LM/W is offered across the family wattages from 100W through 300W. This makes the E4SB series ideal for replacing legacy fixtures from 250W to 1000W MH. Options include multiple mounting configurations and NEMA PC receptacle. Other key features include: Bottom side access door, large area heat sinking above arrays, single panel optics, standard SPD of 10 KA/KV, and low EPA ratings. Ships with an adjustable slip-fitter mount with optional fixed arm and yoke mount also available separately, see mounting options below for more information.

## Features

- Full cutoff light profile
- Ground facing access door
- Isolated driver and LED array for better thermal management
- Suitable for wet location use
- Multiple mounting variations available to suit any application challenges
- Dimmable with 1-10v system
- 10 KA/KV SPD surge protection
- 5 Different Mounting Options
- Optional fixed arm and yoke mount

## Applications

- Wall Wash
- Parking Lots
- Landscaping
- Security Lighting
- General Area Lighting

## Highlights



Photocell or Short cap attachment as an accessory.



Easy accessible compartment for fast and safe install



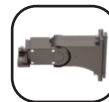
Optional factory Install of PIR 12-24v & 100- 277v sensor or other options are fitted in this location



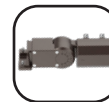
## Mounting



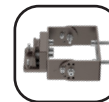
FX-A  
Fixed arm  
or pole  
2"-2-1/2"



SA-A  
Adjustable  
arm for pole  
2"-2-1/2"



SF-A | Slip  
fitter for pole  
2"-2-1/2"



TR-A  
Trunnion  
(Swivel)



YO-A  
Yoke 100W,  
150W, 300W



YO-B  
Yoke  
240W-300W

## Sensors



PIR 12-24v  
Sensor



PIR 100-277v  
Sensor



E3MS-IR-INT-W  
Shark Micro-  
wave Sensor  
100-277V



NPCELL277-480  
Photocell



NPORT480-3P  
Socket Base



EIACC-SHORT  
Shorting Cap

## Load Information

Input Voltage	120-277Vav
Power Factor	>0.99
THD	<20%
Low Temp Start	-40°C (45°F)
Max Temp	45°C (113°F)
Unit Weight	standard 8 LBS large 14 LBS

## Shipping Information

Item	Weight	Box Qty.
Standard profile	8 lbs	1 per
Large profile	14 lbs	1 per

## Lumen Maintenance

Housing Type	Ambient Temperature	TM-21 Lumen Maintenance (50,000 hours)	Theoretical L70 (hours)
Standard profile	25°C	>88.58%	54,000
Large profile	25°C	>88.58%	54,000

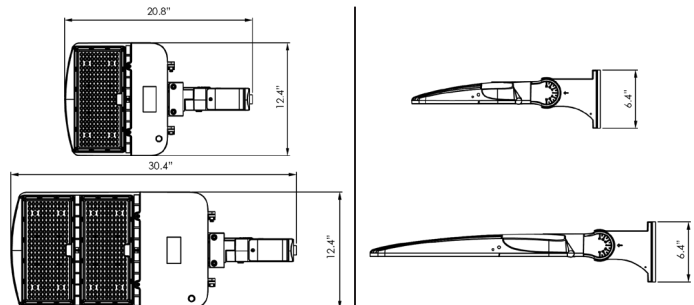
## Dimensions

### Small Profile Housing

E4SB100D3C-850  
E4SB150D3C-850  
E4SB150D3-850

### Large Profile Housing

E4SB240D3C-850  
E4SB300D3C-850



## Model Ordering

Series Prefix	Wattage	Dimming	Optics/ Distribution	Control Options	CRI	CCT
<b>E4SB</b>	<b>100</b>	<b>D</b>	<b>3</b>	<b>C</b>	<b>8</b>	<b>50</b>
<b>E4SB</b> Energetic Shoebox Area Light Series	<b>100</b> 100w <b>150</b> 150w <b>240</b> 240w <b>300</b> 300w	<b>D</b> 0-10v Dimmable (default)	<b>3</b> Type III Dist. <b>4</b> Type IV Dist. <b>5</b> Type V Dist.	<b>[Blank] or C</b> Iron Cap  <b>P</b> PIR motion sensor <b>M</b> Microwave motion sensor <b>L</b> Photocell control PIR motion+ <b>PL</b> Photocell control <b>ML</b> Microwave motion sensor + photocell control	<b>8</b> 80 CRI	<b>50</b> 500K

## STOCK ORDER INFORMATION

### 3000K CCT, Small Housing Profile 100-277V

Catalog Logic	Order #	Lumens	Wattage	LPW	Color Temp	CRI	Voltage	Dimming	DLC	Pallet Qty
E4SB100D3C-850	75200	14000	100	140	3000	84	100-277	1-10v	DLC5.1-P	60
E4SB150D3C-850	75201	21000	150	140	3000	84	100-277	1-10v	DLC5.1-P	60
E4SB150D3-850	75202	21000	150	140	3000	84	100-277	1-10v	DLC5.1-P	60

### 4000K CCT, Small Housing Profile 100-277V

Catalog Logic	Order #	Lumens	Wattage	LPW	Color Temp	CRI	Voltage	Dimming	DLC	Pallet Qty
E4SB100D3C-850	75200	14000	100	140	4000	84	100-277	1-10v	DLC5.1-P	60
E4SB150D3C-850	75201	21000	150	140	4000	84	100-277	1-10v	DLC5.1-P	60
E4SB150D3-850	75202	21000	150	140	4000	84	100-277	1-10v	DLC5.1-P	60

### 5000K CCT, Small Housing Profile 100-277V

Catalog Logic	Order #	Lumens	Wattage	LPW	Color Temp	CRI	Voltage	Dimming	DLC	Pallet Qty
E4SB100D3C-850	75200	14000	100	140	5000	84	100-277	1-10v	DLC5.1-P	60
E4SB150D3C-850	75201	21000	150	140	5000	84	100-277	1-10v	DLC5.1-P	60
E4SB150D3-850	75202	21000	150	140	5000	84	100-277	1-10v	DLC5.1-P	60

## Large Housing Profile with Integrated Emergency Battery Backup System

### 4000K CCT, Large Housing Profile 100-277V

Catalog Logic	Order #	Lumens	Wattage	LPW	Color Temp	CRI	Voltage	Dimming	DLC	Pallet Qty
E4SB240D3C-850	75203	33600	240	140	4000	84	100-277	1-10v	DLC5.1-P	30
E4SB300D3C-850	75204	42000	300	140	4000	84	100-277	1-10v	DLC5.1-P	30

## Large Housing Profile with Integrated Emergency Battery Backup System

### 5000K CCT, Large Housing Profile 100-277V

Catalog Logic	Order #	Lumens	Wattage	LPW	Color Temp	CRI	Voltage	Dimming	DLC	Pallet Qty
E4SB240D3C-850	75203	33600	240	140	5000	84	100-277	1-10v	DLC5.1-P	30
E4SB300D3C-850	75204	42000	300	140	5000	84	100-277	1-10v	DLC5.1-P	30

**Optional Accessories**

Catalog Logic	Order #	Description
E4SB-SF-A	75205	Slip fitter
E4SB-SA-A	75206	Adjustable arm
E4SB-TR-A	75207	Trunnion (swivel)
E4SB-YO-A	75208	Yoke (100W, 150W, 200W)
E4SB-YO-B	75209	Yoke (240W, 300W)
E4SB-FX-A	75210	Fixed arm
E4SB-OPT-VA	75211	Type V optic for 100W, 150W, 240W(2PCS),300W(2PCS)

**Factory Install ONLY Accessories**

Catalog Logic	Order #	Description
MTO-NPCM-277-3P	98039	PHOTOCELL NPCELL277-3P 100-277v   Receptical NPORT480-3P
MTO-NPCM-480-3P	98040	PHOTOCELL NPCELL480-3P 0-480V   Receptical NPORT480-3P
MTO-NSHTM	98041	Shorting Cap E1ACC-SHORT 0-480V/BLACK   Receptical NPORT480-3P
MTO-E3MS-HMW-INT-W	98042	12-24V PIR Sensor E3MS-HMW-INT-W 12-24V PIR Sensor
MTO-E3MS-MW-INT-W	98043	Microwave Motion Sensor (100-277V) BR1816-B-D
MTO-E3MS-IR-INT-W	98044	PIR Sensor 100-277V E3MS-MW-INT-W
MTO-E4SB-VA	98045	Type V optic for 100W, 150W
MTO-E4SB-VC	98046	Type V optic for 240W, 300W

**STOCK ORDER INFORMATION HIGH VOLTAGE**

**5000K CCT, Small Housing Profile 347-480V**

Catalog Logic	Order #	Lumens	Wattage	LPW	Color Temp	CRI	Voltage	Dimming	DLC	Pallet Qty
E4SBH100D3C-850	75220	14000	100	140	5000	84	347-480	1-10v	DLC5.1-P	60
E4SBH150D3C-850	75221	21000	150	140	5000	84	347-480	1-10v	DLC5.1-P	60

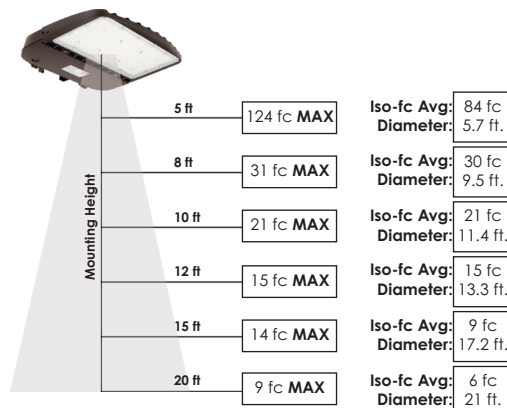
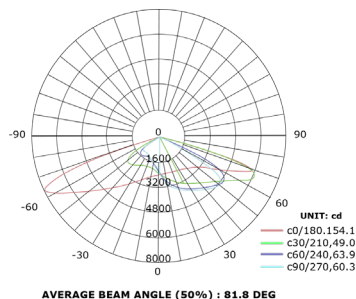
**5000K CCT, Large Housing Profile 347-480V**

Catalog Logic	Order #	Lumens	Wattage	LPW	Color Temp	CRI	Voltage	Dimming	DLC	Pallet Qty
E4SBH240D3C-850	75223	33600	240	140	5000	84	347-480	1-10v	DLC5.1-P	30
E4SBH300D3C-850	75224	42000	300	140	5000	84	347-480	1-10v	DLC5.1-P	30

**PHOTOMETRIC DATA**

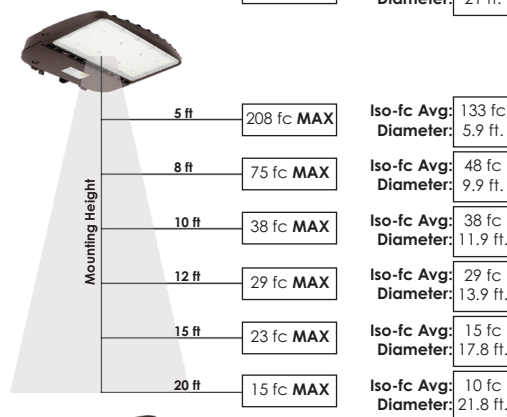
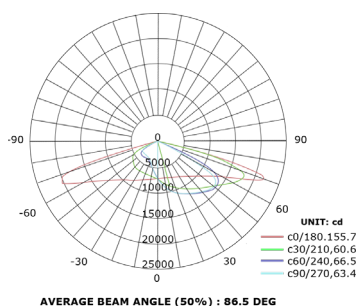
Model: E4SB100DC3-850  
 Test Report: E4SB100DC3-850.ies  
 CCT: 5000  
 Lamp Type: LED  
 Lumens: 14000 LM  
 Input Watts: 100 W  
 Efficacy: 140 LM/W  
 NEMA Type:  
 BUG Rating: B3-U2-G3

**Lumen Intensity Graph:**  
E4SB100DC3-850



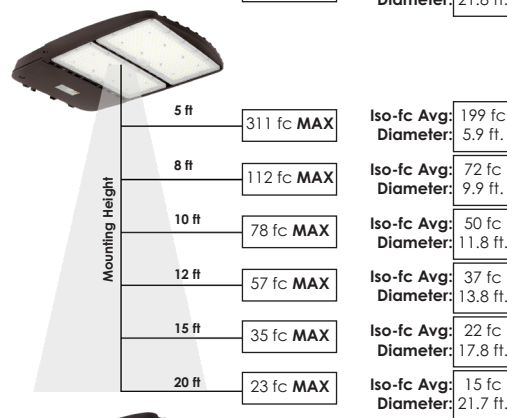
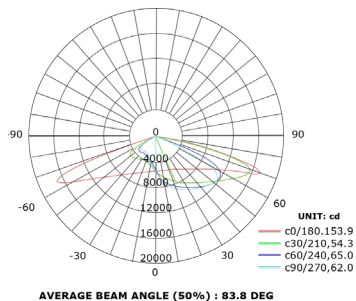
Model: E4SB150DC3-850  
 Test Report: E4SB150DC3-850.ies  
 CCT: 5000k  
 Lamp Type: LED  
 Lumens: 21000 LM  
 Input Watts: 150 W  
 Efficacy: 140 LM/W  
 NEMA Type:  
 BUG Rating: B3-U2-G3

**Lumen Intensity Graph:**  
E4SB150DC3-850



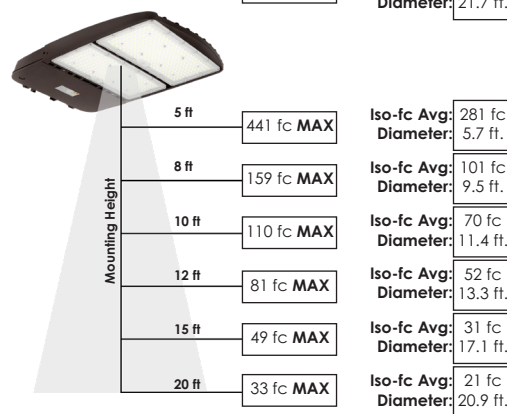
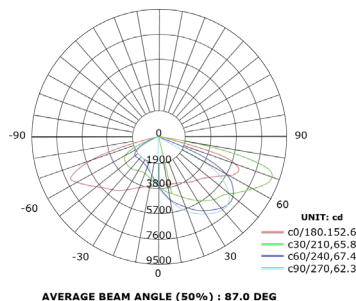
Model: E4SB240DC3-850  
 Test Report: E4SB240DC3-850.ies  
 CCT: 5000k  
 Lamp Type: LED  
 Lumens: 33600 LM  
 Input Watts: 240 W  
 Efficacy: 140 LM/W  
 NEMA Type:  
 BUG Rating: B3-U2-G4

**Lumen Intensity Graph:**  
E4SB240DC3-850



Model: E4SB300DC3-850  
 Test Report: E4SB300DC3-850.ies  
 CCT: 5000k  
 Lamp Type: LED  
 Lumens: 42000 LM  
 Input Watts: 300 W  
 Efficacy: 140 LM/W  
 NEMA Type:  
 BUG Rating: B3-U2-G4

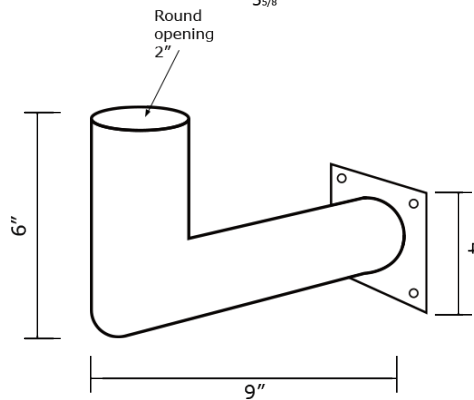
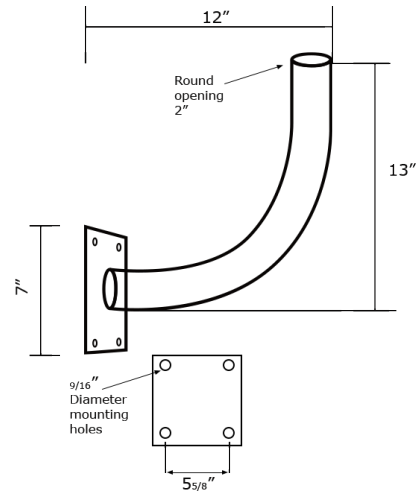
**Lumen Intensity Graph:**  
E4SB300DC3-850





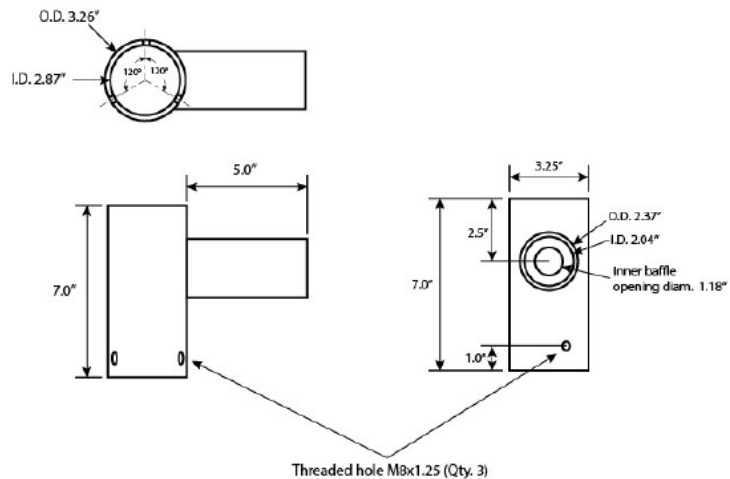
**Wall Mounts**

**E1MNT-WA1 | E1MNT-WA2**



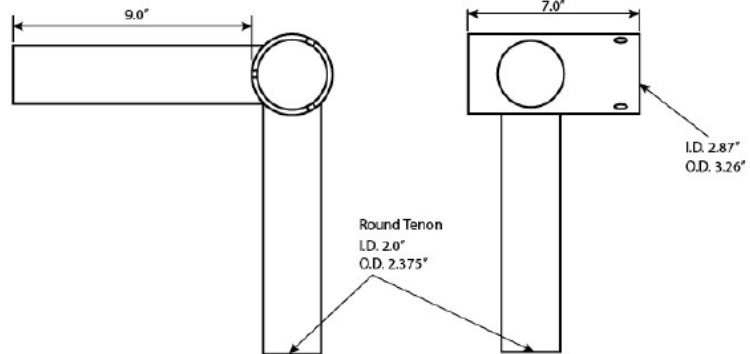
**Pole Mounts**

**E1ST-TN1 | E1ST-TN2 | E1ST-TN3 | E1ST-TN3A | E1ST-TN4**

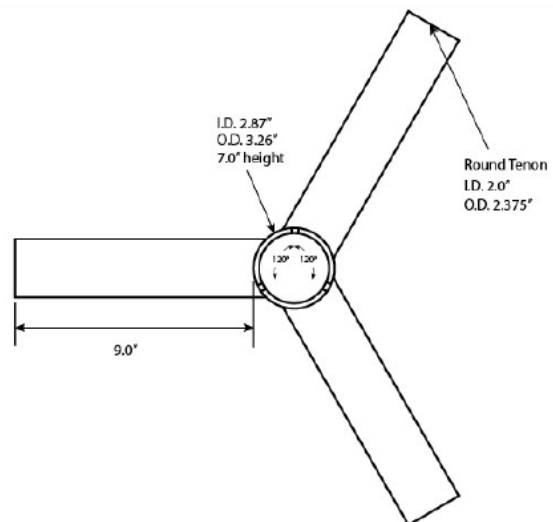




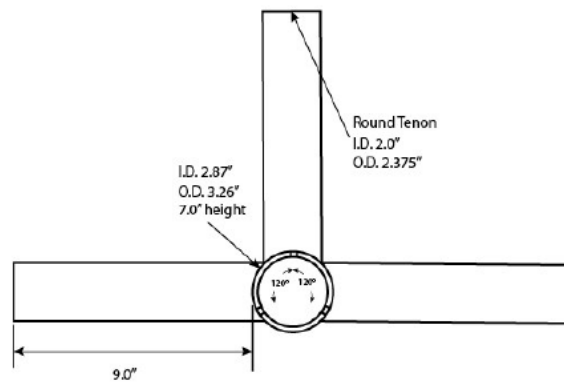
Top cap cover provided

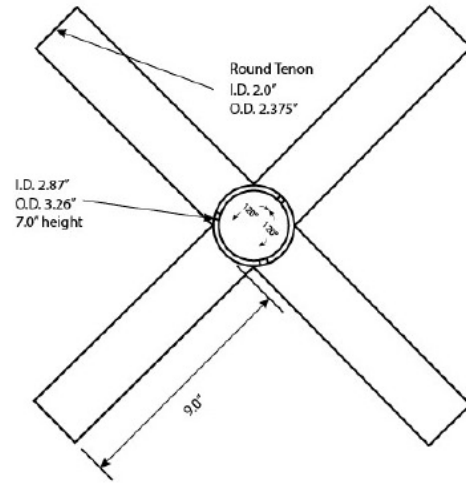


Top cap cover provided

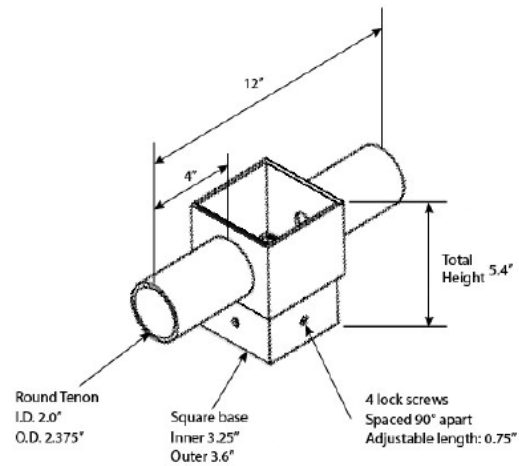
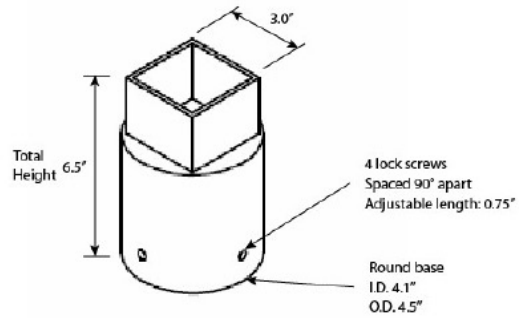


Top cap cover provided





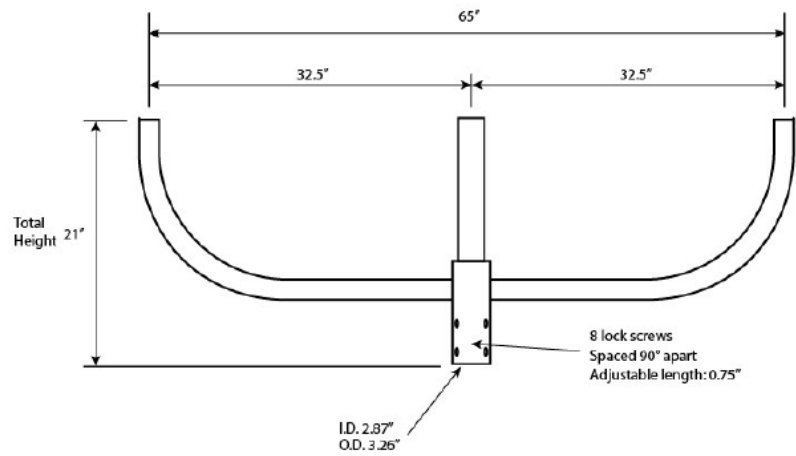
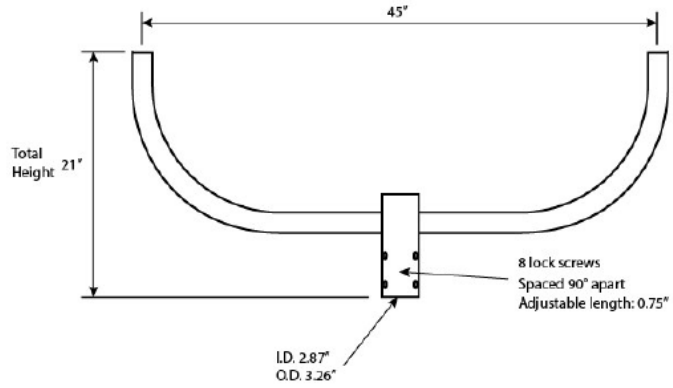
**E1MNT-TRAN4 | E1MNT-TNH2**





**Bull Horns**

**E1ST-TN1 | E1ST-TN2 | E1ST-TN3 | E1ST-TN3A | E1ST-TN4**







**ENERGETIC**  
L I G H T I N G

**E4SB**

LED Area Light  
50,000 System Lifetime • 10-yr Warranty

**NOTES:**



**ENERGETIC**  
L I G H T I N G

**E4SB**

LED Area Light  
50,000 System Lifetime • 10-yr Warranty

**NOTES:**

Empty rectangular box for notes.