

LED FLAT PANEL LIGHT

TECHNICAL SPECIFICATIONS

Housing	Aluminum
Finish Colour	White
Mounting	ceiling build-in, suspended, surface mount.
Application	offices, Warehouse, Garage, Shopping mall, School, Other commercial applications

OPTICAL & PERFORMANCE SPECIFICATIONS

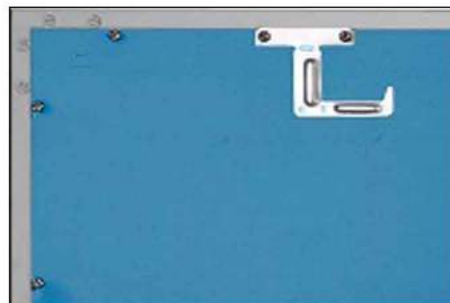
Efficacy	130 L/W
IP Rating	IP44
BeamAngle	120°
L70	>50,000 hours
Certification	cETLus, CE, RoHS, FCC, LM79, LM80, DLC premium

ELECTRICAL SPECIFICATIONS

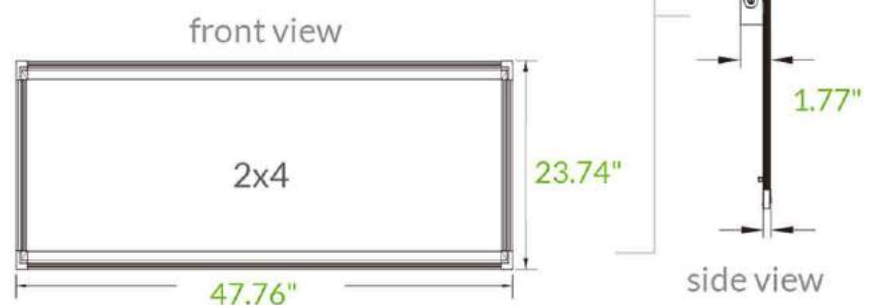
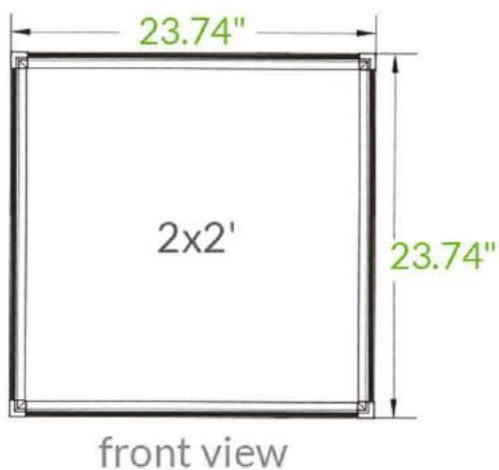
Lighting Source	LED SMD
Wattage	30w,36w,40w,48w,60w
PowerFactor	>90
Ambient temperature	-20°C to 30°C
Input Voltages	100/277vAC



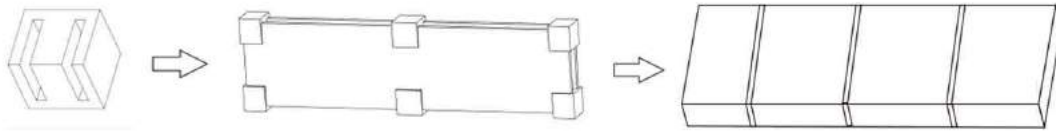
LM79
LM80



DIMENSIONS



Package

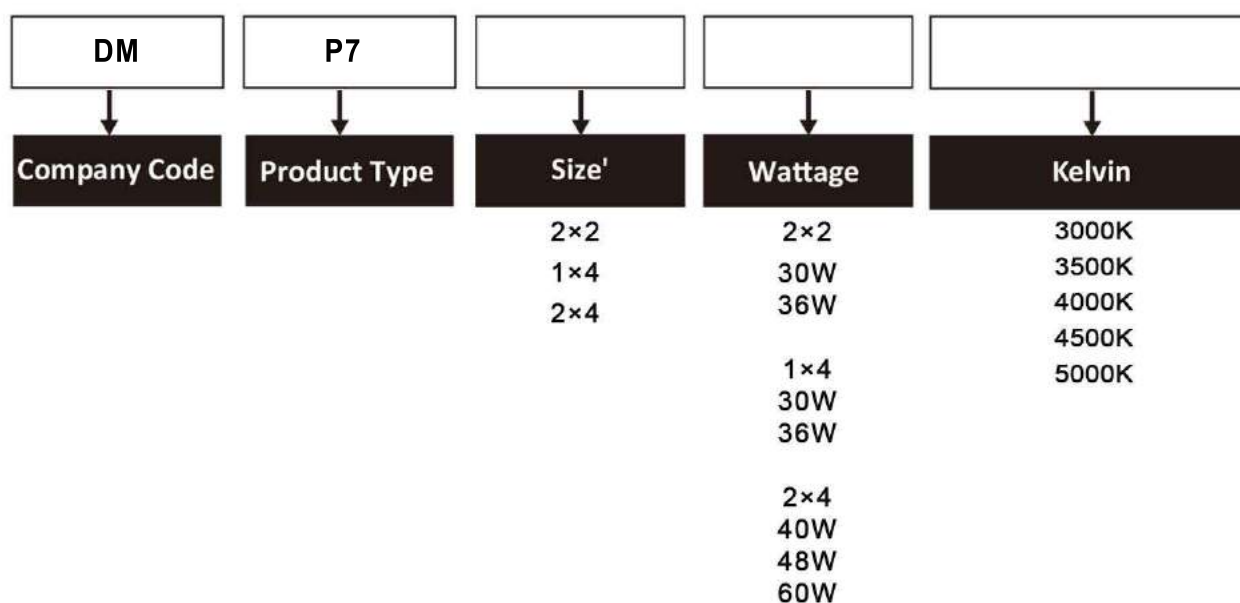


Item	CTN size (Inch)	Qty/CTN	N.W(LB)	G.W(LB)	Qty/ 20GP	Qty/ 40FT
1×4FT	49.61×13.78×3.74	2	17.64	19.84	1056	2376
2×2FT	25.59×25.59×3.74	2	14.55	16.53	1056	2376
2×4FT	49.61×25.59×3.74	2	28.22	30.42	528	1188

Product Specification

Size(Ft)	2×2		1×4		2×4		
Power Consumption(W)	30	36	30	36	40	48	60
Lumen Output(LM)	3900 ±5%	4680 ±5%	3900 ±5%	4680 ±5%	5200 ±5%	6240 ±5%	7800 ±5%
Light Efficacy (lm/W)	130						
CCT(K)	3000K,3500K,4000K,4500K,5000K						
Color Rendering Index(CRI)	>80						
AC Input Rating(Vac)	AC 100-277V 50/60Hz						
Dimming(Non-dimming,0-10V)	Optional						
PF	≥0.90						

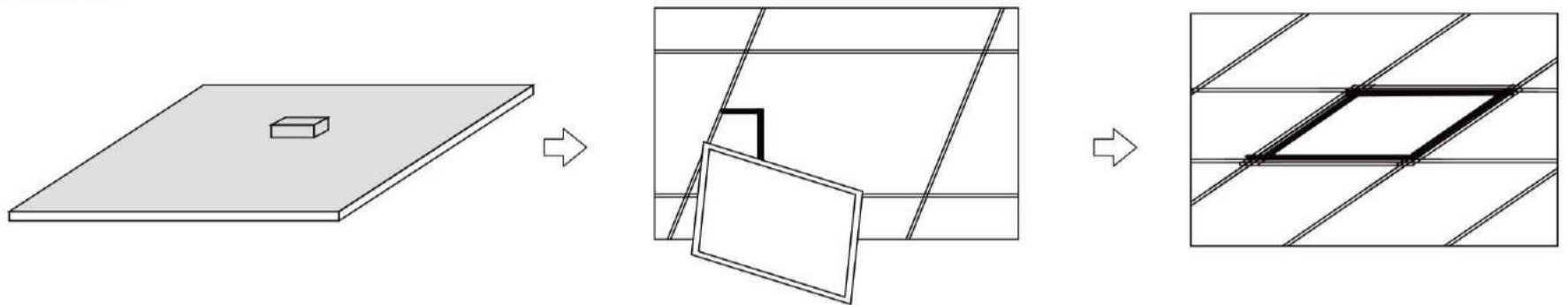
Product Code Generator



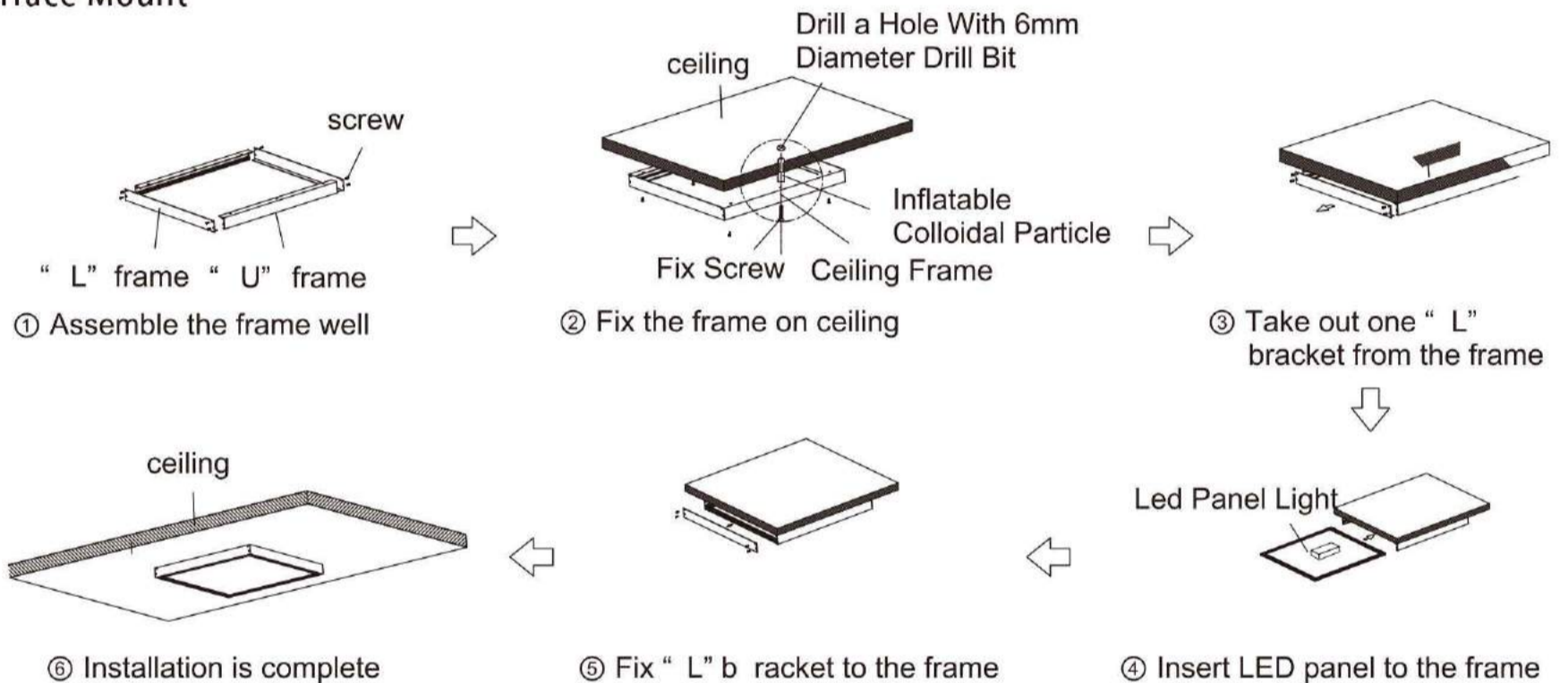
Installation Guide


Multiple installation methods

Build-in



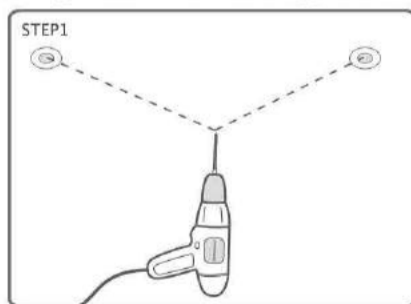
Surface Mount



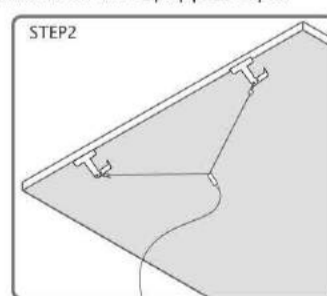
 Please make sure the frame is assembled well before fixed on ceiling

Suspended

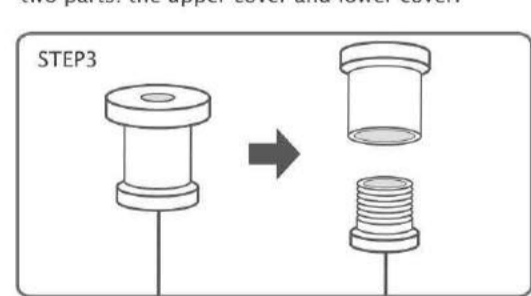
According to the width of the panel light, drill 2 mounting holes on the mounting position



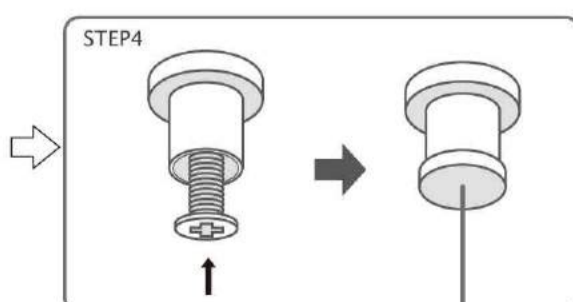
Button the panel light with the dog buckle of the equipped rope.



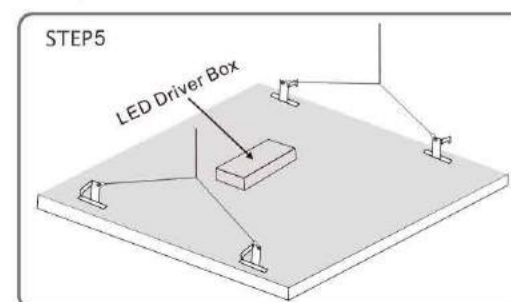
Twist off the rope grab device, and divide it into two parts: the upper cover and lower cover.



Fix the upper cover into prepared mounting holes with self-tapping screws (not included), and then twist on the lower cover.



Connect LED panel light by the hook of suspension wire

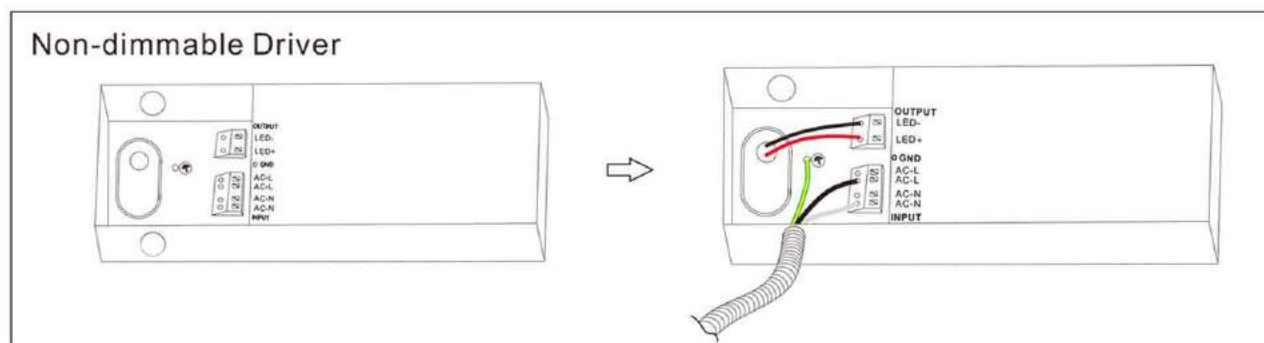
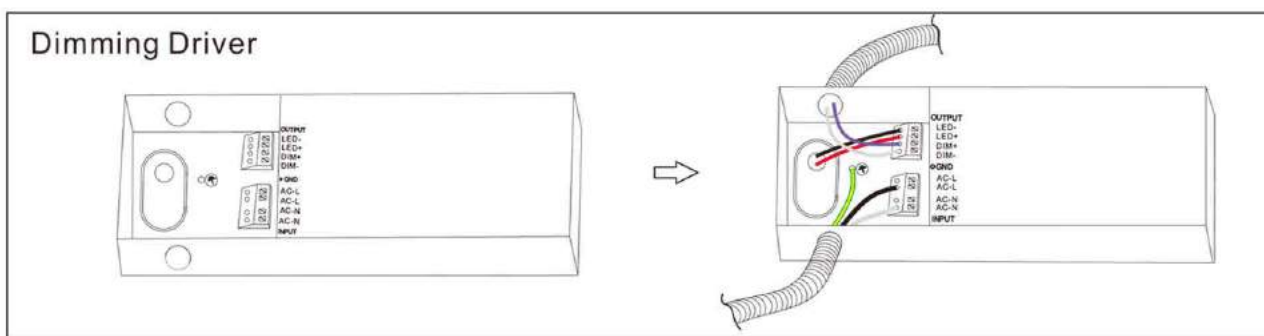


Emergency Power Supply



- ★ UL Approved
- ★ Output Current and Voltage 420-800mA 25V 48V
- ★ Charging time: 24 Hours
- ★ Illumination Time: 90 Minutes
- ★ Selectable emergency power 10W,15W,20W

Connection Mode



Applications

