

Project Name:	Type:
Part Number:	Date:

# 6" CLICK-SURFACE MOUNT FIXTURE

## SPECIFICATION FEATURES

- **Mechanical** - Die cast aluminum heat sink. Smooth diffuse polycarbonate lens. Galvanized steel bracket mounts to industry standard 4" junction boxes from below the ceiling.
- **Electrical** - Utilizing driver on board technology, the 120V, 50/60Hz driver dims to 10% using most forward or reverse phase dimmers. Go to [www.greencreative.com](http://www.greencreative.com) for complete dimmer compatibility list.
- **Optical** - 2700K, 3000K, and 4000K color temperatures available. Minimum 110° beam angle. Minimum 90 CRI with 3-step SDCM LED binning.
- **Thermal** - Die cast aluminum heat design maximizes thermal dissipation. Rated Lifetime (L70): 50,000 hours. Operating temperature: -4°F to 95°F (-20°C to 35°C).
- **Compliance and Warranty** - ETL Listed for WET locations. Air-tight rated. IC Rated. Complies with FCC 47CFR Part 15B consumer limits for EMI/RFI emissions. Suitable for use within closet spaces when installed per NEC 410.16 spacing requirements. 5 year parts warranty for complete fixture.



## BENEFITS

- **Quick Installation** - Just push till you hear the CLICK
- **Flexible Installation** - Mount to 4" j-box and 4", 5" and 6" recessed housings
- **Shallow Design** - Fixture depth is just 1" below the ceiling
- **Better Color** - R9 of 60 and R13 of 90 produce richer reds and more natural skin tones
- **Environmental** - Installs almost everywhere with Wet location, IC and Air-tight ratings

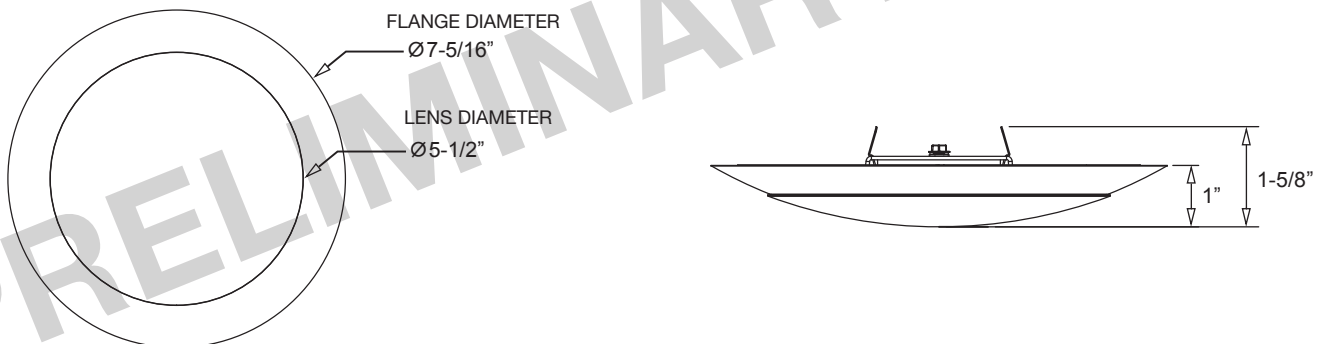
## APPLICATIONS

- Residential new construction projects
- Hospitality remodel projects
- Commercial retrofit projects
- Closets, laundry rooms, pantries, bathrooms, hallways

## ORDERING INFORMATION

Series	Size	CRI	CCT	Driver
<input checked="" type="checkbox"/> <b>CLK</b> CLICK	<input type="checkbox"/> <b>6</b> 6" 800 lumens	<input checked="" type="checkbox"/> <b>9</b> CRI 90+	<input type="checkbox"/> <b>27</b> 2700K	<input checked="" type="checkbox"/> <b>DIM120V</b> 120V, 50/60Hz, dims to 10%
	<input type="checkbox"/> <b>6HO</b> 6" High Output 1100 lumens		<input type="checkbox"/> <b>30</b> 3000K	
			<input type="checkbox"/> <b>40</b> 4000K	

## DIMENSION & WEIGHT





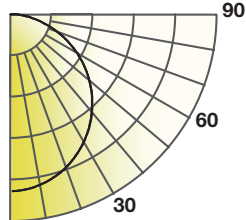
# 6" CLICK-SURFACE MOUNT FIXTURE

## TECHNICAL INFORMATION

Series	Dimming	Input Voltage	Input Frequency	Input Current	Input Power	THD Power	Power Factor
CLK6	120V, Forward or Reverse Phase	120V	50 / 60Hz	61mA	11W	<20%	>0.9
CLK6HO	120V, Forward or Reverse Phase	120V	50 / 60Hz	82mA	15W	<20%	>0.9

## PHOTOMETRY

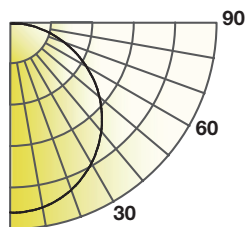
CLK6/930/DIM120V



Lumens: 873 lm  
 CBCP: 300 cd  
 Power: 11 W  
 Efficacy: 78 lm/W  
 CRI: 90  
 Spacing Criteria: 1.25  
 Beam Angle: 113°

Nominal Performance			
CLK6/9xx/DIM120V			
CCT	2700K	3000K	4000K
Lumens	792	825	902
LPW	72	75	82

CLK6HO/930/DIM120V



Lumens: 1207 lm  
 CBCP: 416 cd  
 Power: 15 W  
 Efficacy: 80 lm/W  
 CRI: 90  
 Spacing Criteria: 1.24  
 Beam Angle: 113°

Nominal Performance			
CLK6HO/9xx/DIM120V			
CCT	2700K	3000K	4000K
Lumens	1080	1125	1230
LPW	72	75	82

## ACCESSORY ORDERING INFORMATION

Product	Model	Description	Pictures
57973	SMDL4/ACC	4" Can Installation Accessories	
57974	SMDL6/ACC	5-6" Can Installation Accessories	