

|               |       |
|---------------|-------|
| Project Name: | Type: |
| Part Number:  | Date: |



# ATOM TRACK HEAD

## SPECIFICATION FEATURES

- **Mechanical** - Compact fixture body and field interchangeable LED module made from die cast aluminum. Proprietary driver and polycarbonate lens design provide high quality light to compliment any space. Fixture trim ring design allows accessories to easily snap in place. Fixture bodies and matching accessories are available in matte black and matte white.
- **Electrical** - Modular light engine with integrated driver. 120V, 50/60 Hz driver dims to 10% using most forward-phase or reverse-phase dimmers. Visit [www.greencreative.com](http://www.greencreative.com) for a complete dimmer compatibility list.
- **Optical** - Fixture rotates 350° and tilts up to 90°. 25° Narrow and 35° Flood beam angles available. Minimum 90 CRI with 3-step SDCM LED binning. Available in 2700K, 3000K, or 4000K CCT.
- **Thermal** - Vented fixture trim ring and fixture body maximize thermal performance and allow for a L70 lifetime rating of 50,000 hours. Fixture operating temperature: -4°F to 95°F (-20°C to 35°C).
- **Compliance and Warranty** – ETL listed for dry location. Canopy Mount is ETL listed for damp location. 5-year parts warranty for complete fixture. Designed for indoor use only. Not intended for outdoor applications. FCC certified per FCC 47CFR Part 15b consumer limits.



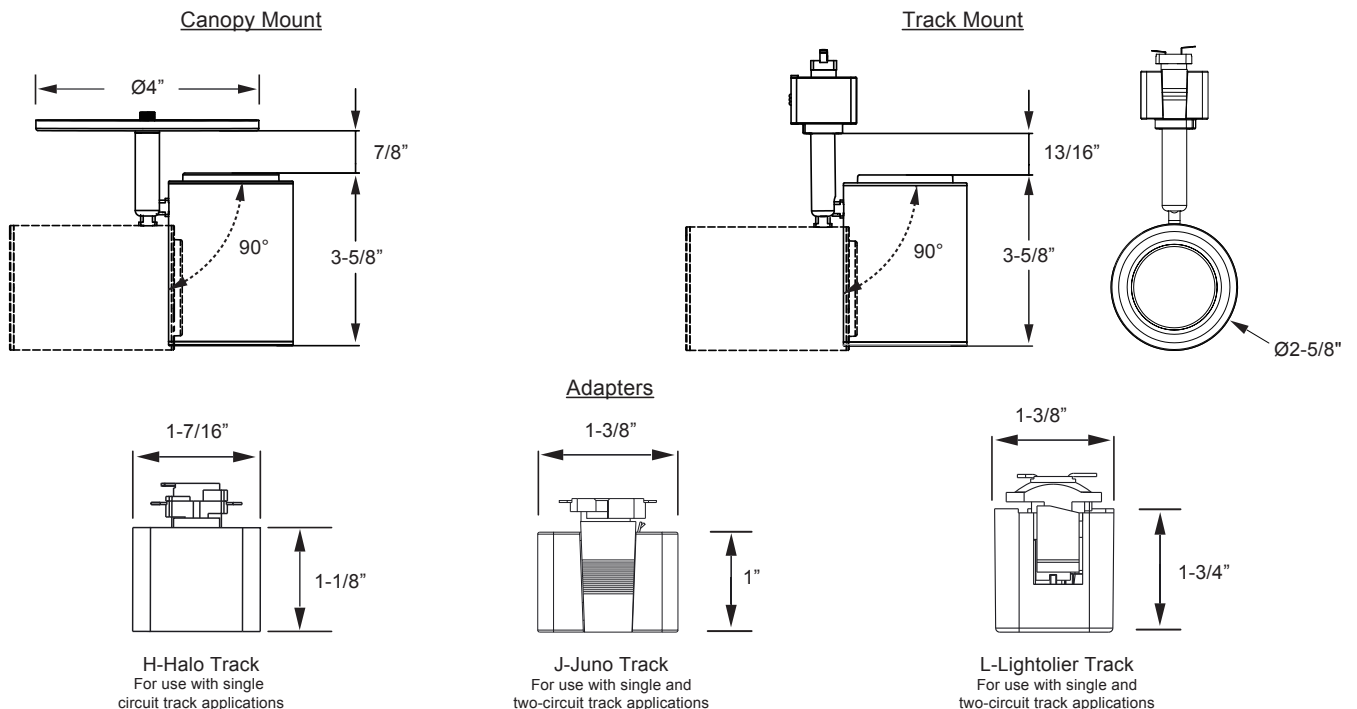
## BENEFITS

- Innovative, module design allows for field upgrades and replacements.
- Compact cylindrical form factor compliments existing architecture.
- Matte black and matte white finishes match existing track systems.
- H, J, and L track adapters with matching canopy mount available.
- Easy to install, snap-on accessories available.

## APPLICATIONS

- Retail
- Residential
- Hospitality
- Commercial
- Libraries and museums

## LINE DRAWINGS





# ATOM TRACK HEAD

## ORDERING EXAMPLE

A complete fixture consists of Output, Adapter, CCT, Beam and Finish Selected

ATM6/930/NR/DIM120V/H/BL

## ORDERING INFORMATION

| Series  | Output   | CRI   | CCT   | Beam   | DRIVER   | Adapter  | Finish  |
|---|--|---|---|--|--|--|---|
| <input checked="" type="checkbox"/> <b>ATM</b><br>Atom Track Series | <input type="checkbox"/> <b>6</b><br>650 lumens    | <input checked="" type="checkbox"/> <b>9</b><br>CRI 90+ | <input type="checkbox"/> <b>27</b><br>2700K | <input type="checkbox"/> <b>NR</b><br>Narrow 25° | <input checked="" type="checkbox"/> <b>DIM120V</b><br>120V, 50/60 Hz,<br>Forward and Reverse Phase<br>Line Voltage Dimming to10% | <input type="checkbox"/> <b>H</b><br>Halo          | <input type="checkbox"/> <b>BL</b><br>Matte Black |
|   | <input type="checkbox"/> <b>10</b><br>1,050 lumens |   | <input type="checkbox"/> <b>30</b><br>3000K | <input type="checkbox"/> <b>FL</b><br>Flood 35°  |  | <input type="checkbox"/> <b>J</b><br>Juno          | <input type="checkbox"/> <b>WH</b><br>Matte White |
|   |  |   | <input type="checkbox"/> <b>40</b><br>4000K |  |  | <input type="checkbox"/> <b>L</b><br>Lightolier    |   |
|   |  |   |   |  |  | <input type="checkbox"/> <b>CM</b><br>Canopy Mount |   |

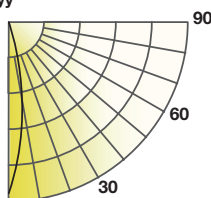
## TECHNICAL INFORMATION

| Series | Dimming  | Input Voltage | Input Frequency | Input Power | THD Power | Power Factor |
|--------|--|---------------|-----------------|-------------|-----------|--------------|
| ATM6   | 120V, Forward and reverse phase dimming to 10% | 120V          | 50 / 60Hz       | 7W          | <20%      | >0.9         |
| ATM10  | 120V, Forward and reverse phase dimming to 10% | 120V          | 50 / 60Hz       | 11.5W       | <20%      | >0.9         |

## PHOTOMETRY

ATM6/930/NR/DIM120V/xx/yy

Lumens: 696lm  
Power: 7W  
Efficacy: 102lm/W  
CRI: 90  
CBCP: 3,160cd  
Beam Angle: 25°

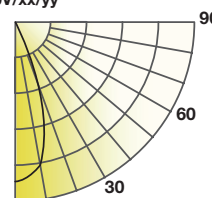


NARROW

| Degree | Candela |
|--------|---------|
| 0      | 3,160   |
| 5      | 3,578   |
| 15     | 2,109   |
| 25     | 262     |
| 35     | 77      |
| 45     | 18      |

ATM6/930/FL/DIM120V/xx/yy

Lumens: 688lm  
Power: 7W  
Efficacy: 101lm/W  
CRI: 90  
CBCP: 2,184cd  
Beam Angle: 35°

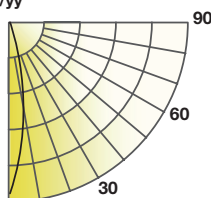


FLOOD

| Degree | Candela |
|--------|---------|
| 0      | 2,184   |
| 5      | 2,124   |
| 15     | 1,265   |
| 25     | 257     |
| 35     | 84      |
| 45     | 23      |

ATM10/930/NR/DIM120V/xx/yy

Lumens: 1,109lm  
Power: 11W  
Efficacy: 98lm/W  
CRI: 90  
CBCP: 5,171cd  
Beam Angle: 25°

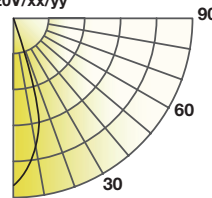


NARROW

| Degree | Candela |
|--------|---------|
| 0      | 5,171   |
| 5      | 4,678   |
| 15     | 1,328   |
| 25     | 374     |
| 35     | 131     |
| 45     | 44      |

ATM10/930/FL/DIM120V/xx/yy

Lumens: 1,105lm  
Power: 11W  
Efficacy: 98lm/W  
CRI: 90  
CBCP: 3,118cd  
Beam Angle: 35°



FLOOD

| Degree | Candela |
|--------|---------|
| 0      | 3,118   |
| 5      | 3,018   |
| 15     | 1,749   |
| 25     | 391     |
| 35     | 123     |
| 45     | 39      |

## PERFORMANCE

| CCT    |            | 2700K       |                 |           | 3000K       |                 |           | 4000K       |                 |           |
|--------|------------|-------------|-----------------|-----------|-------------|-----------------|-----------|-------------|-----------------|-----------|
| Series | Beam Angle | Output (lm) | Efficacy (lm/W) | CBCP (cd) | Output (lm) | Efficacy (lm/W) | CBCP (cd) | Output (lm) | Efficacy (lm/W) | CBCP (cd) |
| ATM6   | Narrow 25° | 651         | 95              | 3,250     | 696         | 102             | 3,160     | 699         | 102             | 3,739     |
|        | Flood 35°  | 672         | 98              | 2,112     | 688         | 101             | 2,184     | 719         | 105             | 2,316     |
| ATM10  | Narrow 25° | 1,069       | 95              | 4,450     | 1,109       | 98              | 5,171     | 1,197       | 106             | 5,333     |
|        | Flood 35°  | 1,069       | 95              | 2,427     | 1,105       | 98              | 3,118     | 1,160       | 103             | 3,113     |

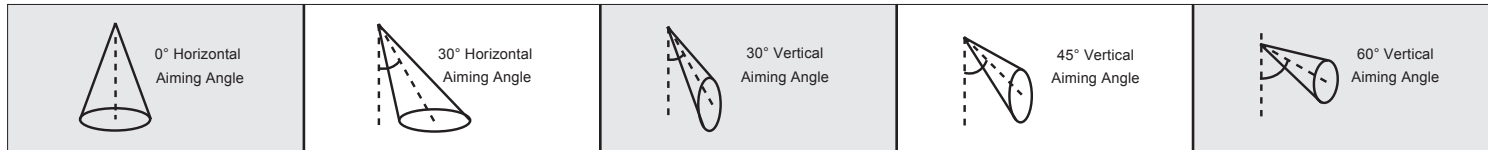
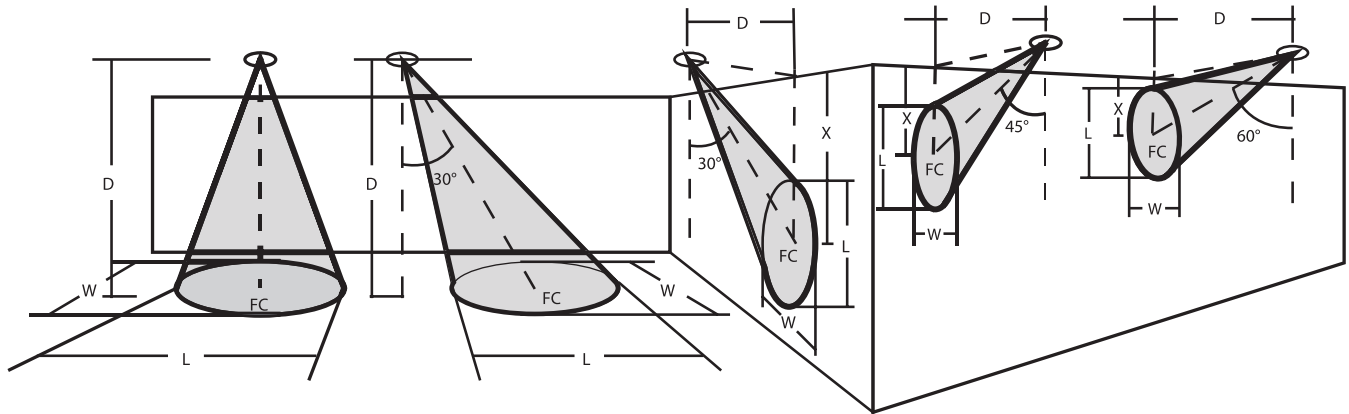


# ATOM TRACK HEAD

## PHOTOMETRY

Notes and Definitions:

- D=Distance to floor or wall
- FC=Footcandles on floor or wall at center beam location
- L=Effective Visual Beam length in feet
- W=Effective Visual Beam width in feet
- X=In vertical aiming applications, (X) is the distance down to the center beam location



ATM6/930/NR/DIM120V/xx/yy Lumens: 696 Beam Angle: 25° CCT: 3000K CBCP: 3,160cd

| D  | FC | L   | W   | D  | FC | L   | W   | D | X    | FC | L    | W   | D | X   | FC  | L   | W   | D  | X   | FC | L   | W   |
|----|----|-----|-----|----|----|-----|-----|---|------|----|------|-----|---|-----|-----|-----|-----|----|-----|----|-----|-----|
| 6  | 99 | 2.3 | 2.3 | 6  | 75 | 3.0 | 2.6 | 3 | 5.2  | 99 | 5.0  | 2.3 | 3 | 3.0 | 199 | 2.3 | 1.3 | 6  | 3.5 | 75 | 3.0 | 2.6 |
| 8  | 56 | 3.0 | 3.0 | 8  | 42 | 4.1 | 3.5 | 4 | 6.9  | 56 | 6.7  | 3.0 | 4 | 4.0 | 112 | 3.1 | 1.7 | 8  | 4.6 | 42 | 4.1 | 3.5 |
| 10 | 36 | 3.8 | 3.8 | 10 | 27 | 5.1 | 4.3 | 5 | 8.7  | 36 | 8.4  | 3.8 | 5 | 5.0 | 72  | 3.9 | 2.2 | 10 | 5.8 | 27 | 5.1 | 4.3 |
| 12 | 25 | 4.5 | 4.5 | 12 | 19 | 6.1 | 5.2 | 6 | 10.4 | 25 | 10.1 | 4.5 | 6 | 6.0 | 50  | 4.7 | 2.6 | 12 | 6.9 | 19 | 6.1 | 5.2 |
| 14 | 18 | 5.3 | 5.3 | 14 | 14 | 7.1 | 6.1 | 7 | 12.1 | 18 | 11.8 | 5.3 | 7 | 7.0 | 37  | 5.5 | 3.0 | 14 | 8.1 | 14 | 7.1 | 6.1 |

ATM6/930/FL/DIM120V/xx/yy Lumens: 688 Beam Angle: 35° CCT: 3000K CBCP: 2,184cd

| D  | FC | L   | W   | D  | FC | L    | W   | D | X    | FC | L    | W   | D | X   | FC  | L   | W   | D  | X   | FC | L    | W   |
|----|----|-----|-----|----|----|------|-----|---|------|----|------|-----|---|-----|-----|-----|-----|----|-----|----|------|-----|
| 6  | 61 | 3.3 | 3.3 | 6  | 46 | 4.5  | 3.8 | 3 | 5.2  | 61 | 8.5  | 3.3 | 3 | 3.0 | 123 | 3.6 | 1.9 | 6  | 3.5 | 46 | 4.5  | 3.8 |
| 8  | 35 | 4.4 | 4.4 | 8  | 26 | 6.0  | 5.1 | 4 | 6.9  | 34 | 11.4 | 4.4 | 4 | 4.0 | 69  | 4.8 | 2.5 | 8  | 4.6 | 26 | 6.0  | 5.1 |
| 10 | 22 | 5.5 | 5.5 | 10 | 17 | 7.5  | 6.3 | 5 | 8.7  | 22 | 14.2 | 5.5 | 5 | 5.0 | 44  | 5.9 | 3.2 | 10 | 5.8 | 17 | 7.5  | 6.3 |
| 12 | 15 | 6.6 | 6.6 | 12 | 12 | 9.0  | 7.6 | 6 | 10.4 | 15 | 17.0 | 6.6 | 6 | 6.0 | 31  | 7.1 | 3.8 | 12 | 6.9 | 11 | 9.0  | 7.6 |
| 14 | 11 | 7.7 | 7.7 | 14 | 8  | 10.5 | 8.9 | 7 | 12.1 | 11 | 19.9 | 7.7 | 7 | 7.0 | 23  | 8.3 | 4.4 | 14 | 8.1 | 8  | 10.5 | 8.9 |

ATM10/930/NR/DIM120V/xx/yy Lumens: 1,109 Beam Angle: 25° CCT: 3000K CBCP: 5,171cd

| D  | FC     | L   | W   | D  | FC  | L   | W   | D | X    | FC  | L    | W   | D | X   | FC  | L   | W   | D  | X   | FC  | L   | W   |
|----|--------|-----|-----|----|-----|-----|-----|---|------|-----|------|-----|---|-----|-----|-----|-----|----|-----|-----|-----|-----|
| 6  | 1145.8 | 2.2 | 2.2 | 6  | 109 | 2.9 | 2.5 | 3 | 5.2  | 146 | 4.8  | 2.2 | 3 | 3.0 | 292 | 2.2 | 1.2 | 6  | 3.5 | 109 | 2.9 | 2.5 |
| 8  | 82.0   | 2.9 | 2.9 | 8  | 62  | 3.9 | 3.3 | 4 | 6.9  | 82  | 6.4  | 2.9 | 4 | 4.0 | 164 | 3.0 | 1.7 | 8  | 4.6 | 62  | 3.9 | 3.3 |
| 10 | 52.5   | 3.6 | 3.6 | 10 | 39  | 4.9 | 4.2 | 5 | 8.7  | 52  | 8.0  | 3.6 | 5 | 5.0 | 105 | 3.7 | 2.1 | 10 | 5.8 | 39  | 4.9 | 4.2 |
| 12 | 36.5   | 4.3 | 4.3 | 12 | 27  | 5.8 | 5.0 | 6 | 10.4 | 36  | 9.6  | 4.3 | 6 | 6.0 | 73  | 4.5 | 2.5 | 12 | 6.9 | 27  | 5.8 | 5.0 |
| 14 | 26.8   | 5.0 | 5.0 | 14 | 20  | 6.8 | 5.8 | 7 | 12.1 | 27  | 11.2 | 5.0 | 7 | 7.0 | 54  | 5.2 | 2.9 | 14 | 8.1 | 20  | 6.8 | 5.8 |

ATM10/930/FL/DIM120V/xx/yy Lumens: 1,105 Beam Angle: 35° CCT: 3000K CBCP: 3,118cd

| D  | FC | L   | W   | D  | FC | L    | W   | D | X    | FC | L    | W   | D | X   | FC  | L   | W   | D  | X   | FC | L    | W   |
|----|----|-----|-----|----|----|------|-----|---|------|----|------|-----|---|-----|-----|-----|-----|----|-----|----|------|-----|
| 6  | 87 | 3.4 | 3.4 | 6  | 65 | 4.7  | 4.0 | 3 | 5.2  | 87 | 9.1  | 3.4 | 3 | 3.0 | 174 | 3.7 | 2.0 | 6  | 3.5 | 65 | 4.7  | 4.0 |
| 8  | 49 | 4.6 | 4.6 | 8  | 37 | 6.3  | 5.3 | 4 | 6.9  | 49 | 12.1 | 4.6 | 4 | 4.0 | 98  | 5.0 | 2.6 | 8  | 4.6 | 37 | 6.3  | 5.3 |
| 10 | 31 | 5.7 | 5.7 | 10 | 24 | 7.8  | 6.6 | 5 | 8.7  | 31 | 15.1 | 5.7 | 5 | 5.0 | 63  | 6.2 | 3.3 | 10 | 5.8 | 24 | 7.8  | 6.6 |
| 12 | 22 | 6.9 | 6.9 | 12 | 16 | 9.4  | 7.9 | 6 | 10.4 | 22 | 18.2 | 6.9 | 6 | 6.0 | 44  | 7.5 | 4.0 | 12 | 6.9 | 16 | 9.4  | 7.9 |
| 14 | 16 | 8.0 | 8.0 | 14 | 12 | 11.0 | 9.2 | 7 | 12.1 | 16 | 21.2 | 8.0 | 7 | 7.0 | 32  | 8.7 | 4.6 | 14 | 8.1 | 12 | 11.0 | 9.2 |



# ATOM TRACK HEAD

| ACCESSORY ORDERING INFORMATION |             |                                    |          |           |
|--------------------------------|-------------|------------------------------------|----------|-----------|
| Product                        | Model       | Description                        | Pictures | Dimenions |
| 35037                          | ATM/A/SN/WH | Snoot: Matte White                 |          |           |
| 35038                          | ATM/A/SN/BL | Snoot: Matte Black                 |          |           |
| 35040                          | ATM/A/HC/WH | Honeycomb Louver: Matte White Ring |          |           |
| 35041                          | ATM/A/HC/BL | Honeycomb Louver: Matte Black Ring |          |           |
| 35043                          | ATM/A/WW/WH | Wall Wash: Matte White             |          |           |
| 35044                          | ATM/A/WW/BL | Wall Wash: Matte Black             |          |           |