

Installation Instruction

⚠ WARNING

- To reduce the risk of death, personal injury or property damage from fire, electric shock, falling parts, cuts/abrasions, and other hazards read all warnings and instructions included with and on the fixture box and all fixture labels.
- Before installing, servicing, or performing routine maintenance upon this equipment, follow these general precautions.
- Commercial installation, service and maintenance of luminaires should be performed by a qualified licensed electrician.
- For the installation: If you are unsure about the installation or maintenance of the luminaires, consult a qualified licensed electrician and check your local electrical code.
- To prevent wiring damage or abrasion, do not expose wiring to edges of sheet metal or other sharp objects.
- Do not make or alter any open holes in an enclosure of wiring or electrical components during kit installation.

⚠ WARNING

- Turn off electrical power at fuse or circuit breaker box before wiring fixture to the power supply.
- Turn off the power when you perform any maintenance.
- Verify that supply voltage is correct by comparing it with the luminaire label information.
- All wiring connections should be capped with UL approved wire connectors.

⚠ CAUTION

- Avoid direct eye exposure to the light source while it is on.
- Account for small parts and destroy packing material, as these may be hazardous to children.
- Risk of burn. Disconnect power and allow fixture to cool before changing bulb or handling fixture.

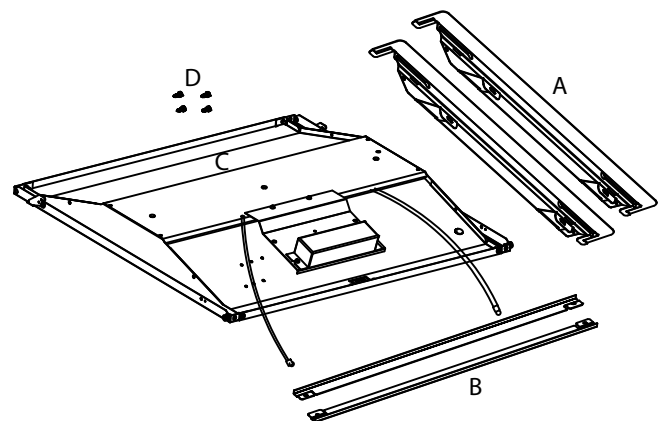
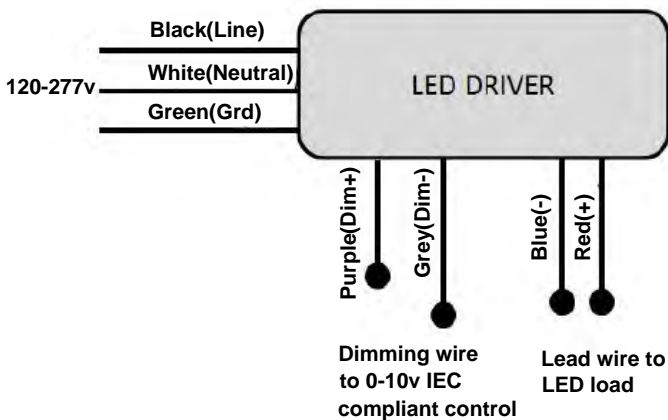
NOTICE: Green ground screw provided in proper location. Do not relocate.

NOTICE: Minimum 90° supply conductors.

NOTICE: Specifications and dimensions subject to change without notice.

NOTICE: Suitable for Dry or Damp location, Type IC

General Wiring Diagram



A: End Plates	2pcs
B: Side Plates	2pcs
C: Door Assembly body	1pc
D: Self-tapping screws	4pcs

Installation Instruction

NOTICE:

The existing fluorescent luminaries housing shall be larger than dimensions described in below table:

Housing Designation	Overall inner Dimensions
2' x 2'	610 mm by 608 mm by 78 mm high
2' x 4'	1220 mm by 608 mm by 78 mm high

Installation

Figure 1

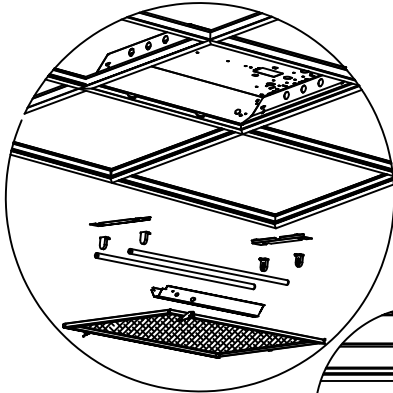


Figure 2

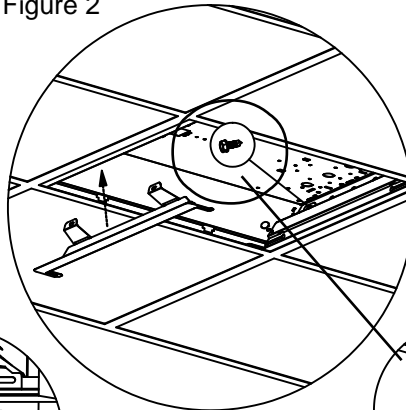


Figure 3

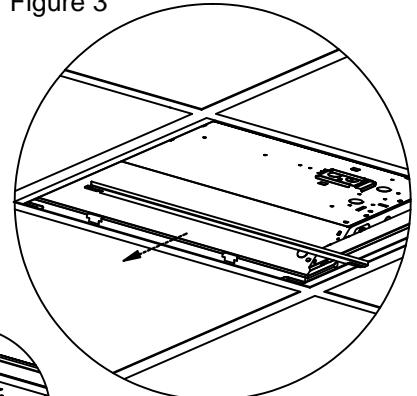


Figure 4

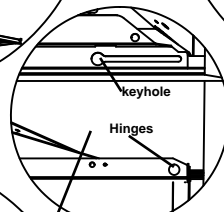
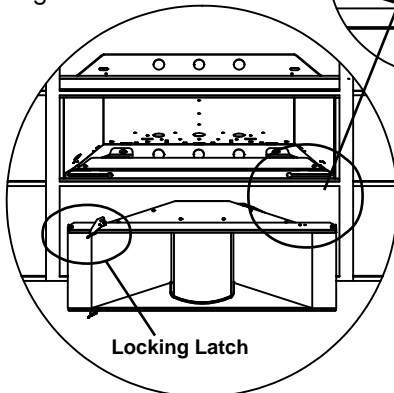


Figure 4A

Figure 5

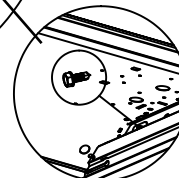
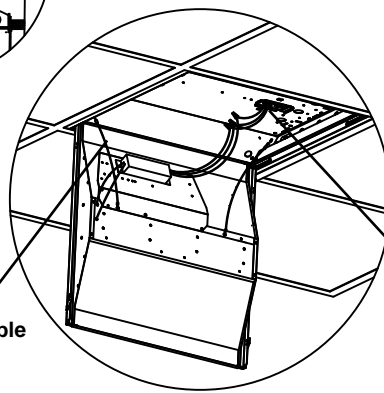


Figure 2A

Figure 6

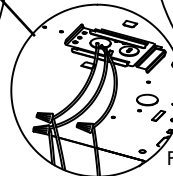
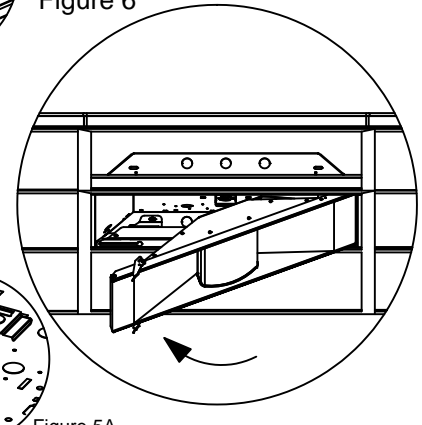


Figure 5A

- Prior to installation, disconnect all incoming power to fixture. Remove existing hardware (lens/lens frame, parabolic louver, reflectors/ballast covers, brackets, lamps/lamp holders). Leave supply and grounding leads.(Fig.1)
- NOTE: Follow all federal and local regulations when disposing of lamps and removed components.
- Install LED panel end brackets to each end of the fixture by gently lifting recessed fixture and placing LED panel end brackets between the fixture and T-grid. Secure the LED panel brackets to the fixture using the provided #8x1/2" self-drilling screws. There are two hole sets to allow for clearing fixture features that may obstruct the screws. Locate the wire terminals on the LED board on the end of the light engine panel that has the wire.(Fig.2)
- Install LED panel side brackets between the fixture and T-grid,if you are uncomfortable with the gap between the fixture and T-grid,There are two tabs to allow for placing the side brackets into the slot of end brackets.(Fig.3)
- Locate the door assembly body onto the keyholes of end brackets,then slide the door assembly body horizontally to the end of slots.(Fig.4)
- Pass grommet. Connect red driver lead to the red board lead from the positive terminal, and the blue driver lead to the blue lead from the board negative terminal.Hook the safety cables into the holes positioned the end brackets.(Fig.5)
- secure the door assembly body by lock the latches riveted on each end of the assembled door frame.(Fig.6)