



Construction

Housing
Steel white powder coating
Mounting options
Surface mount, wall and ceiling

Lens

Frosted polycarbonate lens

Installation

Ceiling row mount up to 8 units is possible with

A: Surface Mounting

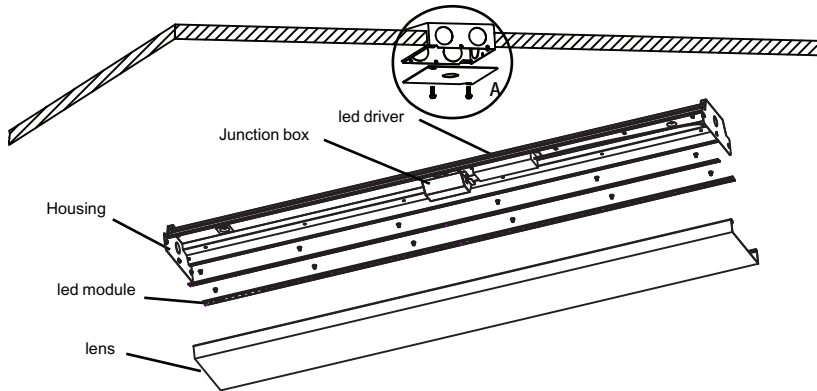


Figure 1
Concealed outlet box

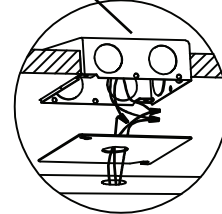
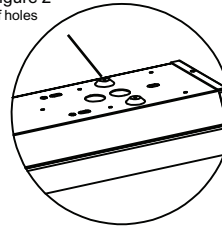
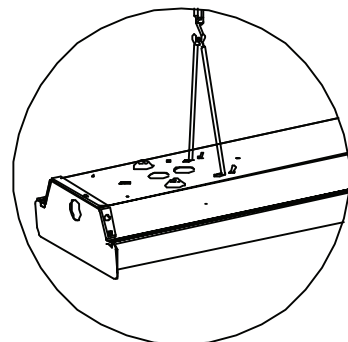
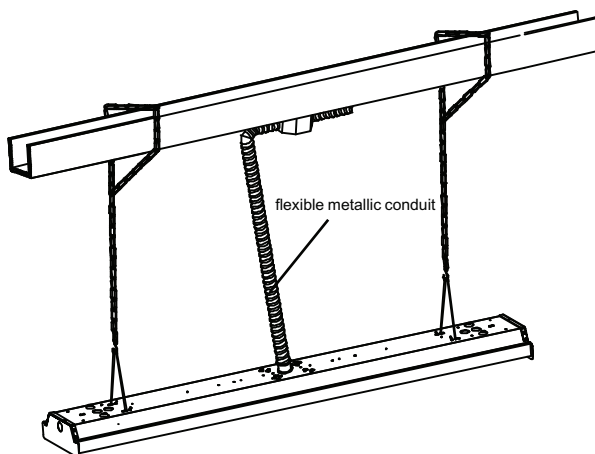


Figure 2
Knock-off holes



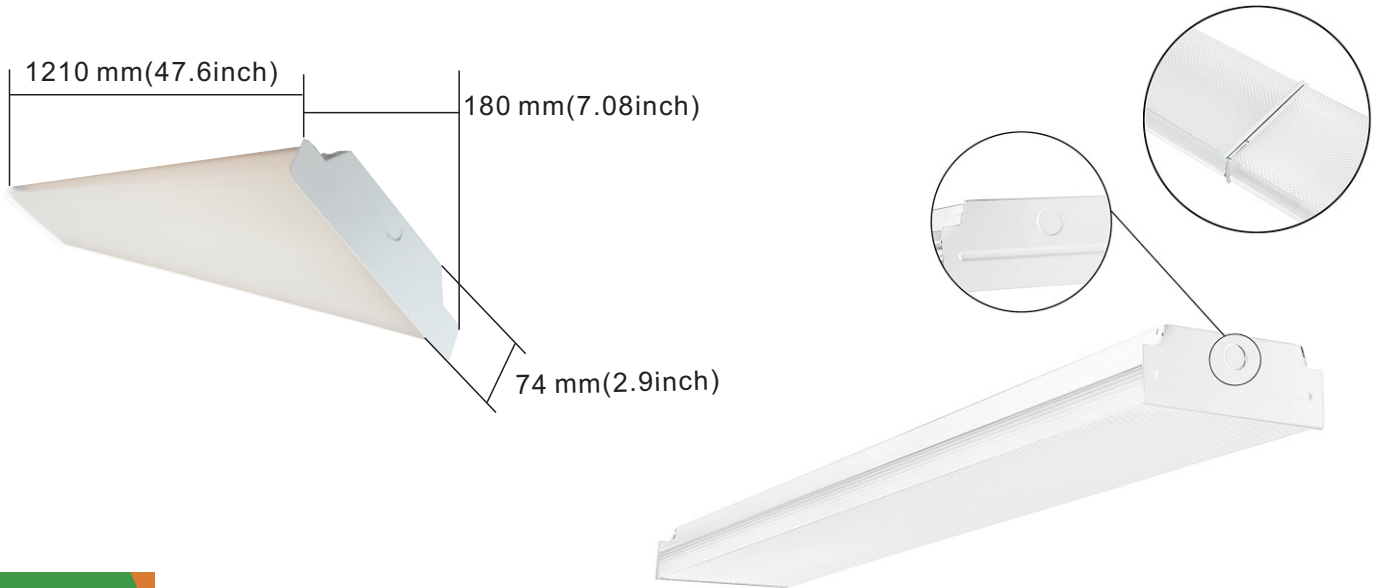
1. Remove product from packaging
2. Remove lens by pulling from one side of the fixture and hinge on the other
3. For mounting, using the provided mounting holes on each end of the fixture housing.
4. Make electrical connections according to code.
5. Install channel cover
6. Install lens on one side of the fixture and rotate to engage the opposite side

B: Chain Kit



1. Remove product from packaging
2. Remove lens by pulling from one side of the fixture and hinge on the other
3. For mounting, using the provided mounting holes on each end of the fixture housing.
4. Make electrical connections according to code.
5. Install channel cover
6. Install lens on one side of the fixture and rotate to engage the opposite side

LED WRAPAROUND FIXTURE



Package

Model	Size	Power (W)	Color Temperature (K)	CRI	System Efficacy (Lm/W)
DM-WR4FT303540W-3545K	4FT	30W&35W&40W	3500K&4000K&5000K	80	130

Packing info

Model	Packing way	Carton size(mm)	Pallet Loading			Non-Pallet Loading		
			20'GP	40'GP	40'HP	20'GP	40'GP	40'HP
DM-WR4FT303540W-3545K	4PCS/Carton	1250x326x207				1600PCS	3300PCS	3500PCS

