

LED Linear Highbay

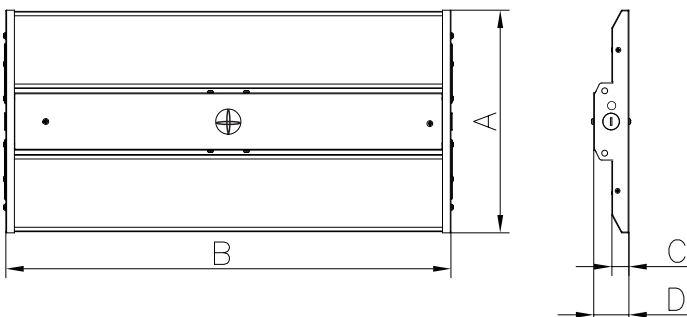
LED Linear high bay lighting is a popular choice in warehouse lighting. They are easy to hang with two gibber cables and easy to connect with the junction box right on back. Popular for their wide light distribution, they are a great choice for going LED and saving energy.



Product Features

1. ETL, FCC & DLC listed; With LM79 & LM80;
2. 2ft: 110W & 130W & 160W & 170W; 4ft: 160W & 255W & 300W & 400W
3. High luminous efficacy 125 lm/w;
4. 0-10V dimming;
5. PF > 0.90, driver efficiency > 90%, THD < 20%;
6. Installation: Chain Installation and steeve Installation;
7. Suitable for dry/damp location;
8. Designed for warehouses, gymnasiums, and industrial spaces;
9. Easy installation of emergency and motion sensors;
10. CCT Tunable: 3500K & 4000K & 5000K ;

Product Dimension



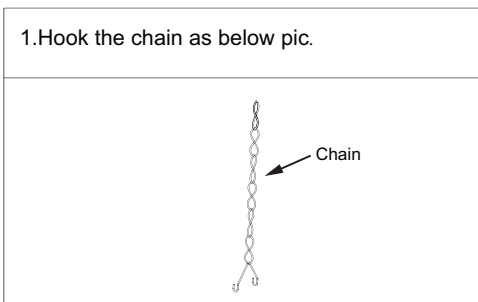
Part No.	A	B	C	D
2ft	15"	25"	1.3"	2.17"
4ft	15"	46.5"	1.3"	2.17"

Specification

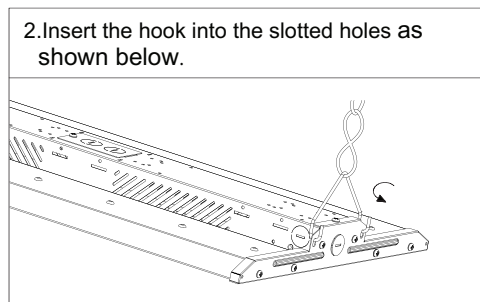
Name	Part No.	Power	Input Voltage	Input Current	PF	Light Efficacy	CCT	Ra
Linear high bay	2FT	110W	AC120-277V AC120-347V	0.99A	>0.9	125lm/w	3500K 4000K 5000K	80
		130W		1.17A				
		160W		1.44A				
	4FT	170W		1.53A				
		160W		1.44A				
		255W		2.29A				
		300W		2.7A				
		400W		3.6A				

Chain Installation

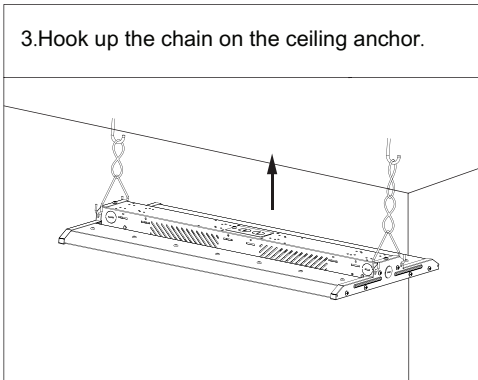
1. Hook the chain as below pic.



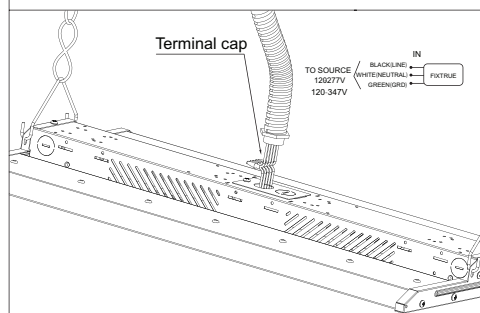
2. Insert the hook into the slotted holes as shown below.



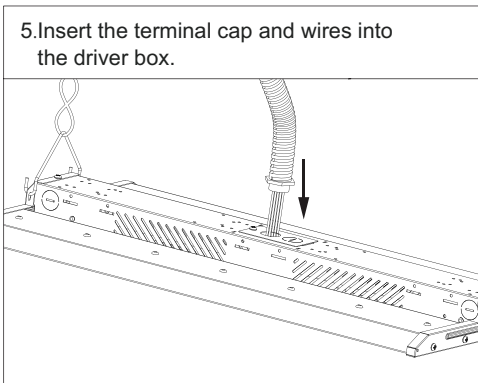
3. Hook up the chain on the ceiling anchor.



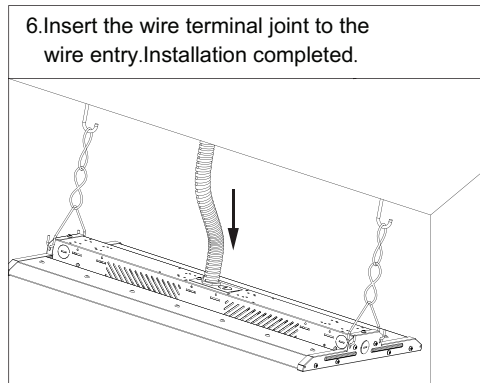
4. Turn off power, and make wiring connections with terminal cap (see wiring instruction below).



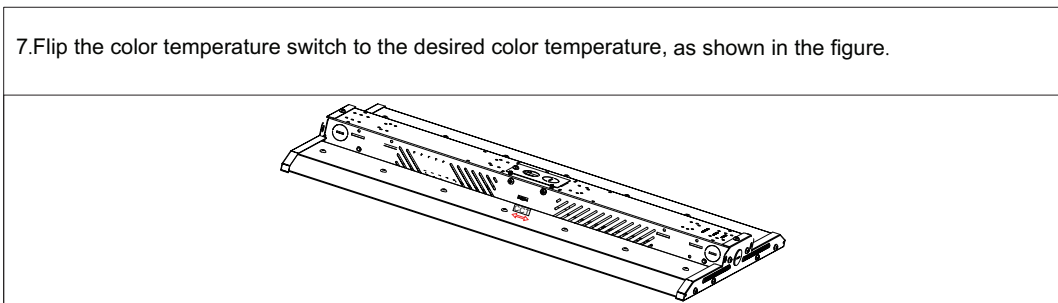
5. Insert the terminal cap and wires into the driver box.



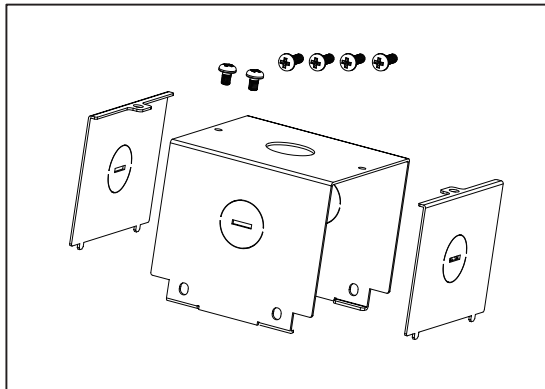
6. Insert the wire terminal joint to the wire entry. Installation completed.



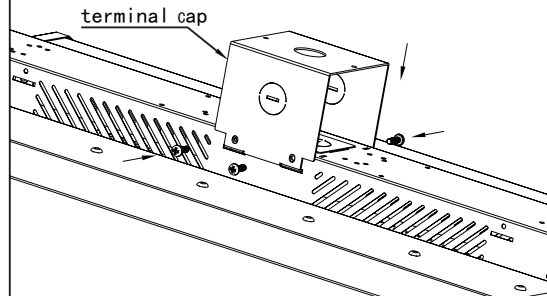
7. Flip the color temperature switch to the desired color temperature, as shown in the figure.



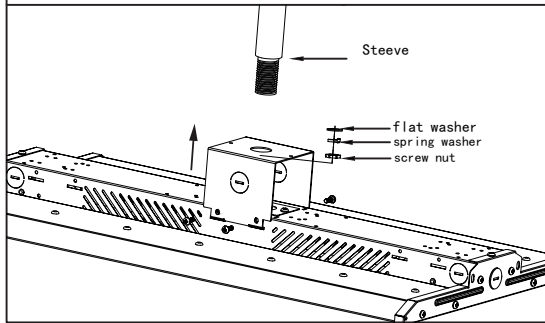
Steeve Installation:



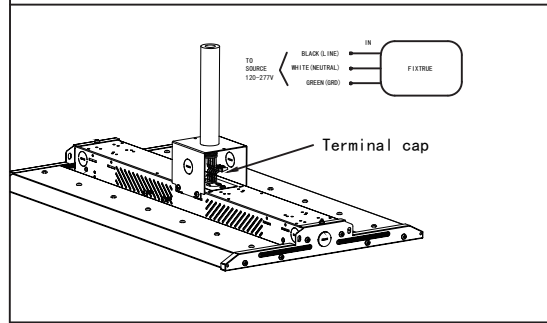
1. Fixed the junction box on the fixture with the provided hardware.



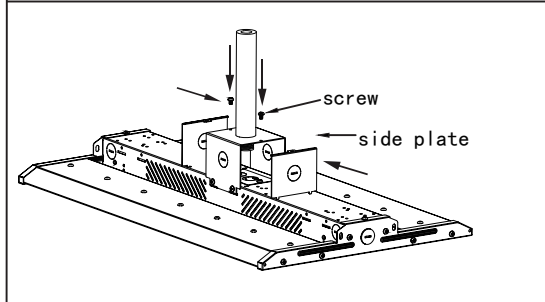
2. Fixed the high bay on the steeve with provided hardware.



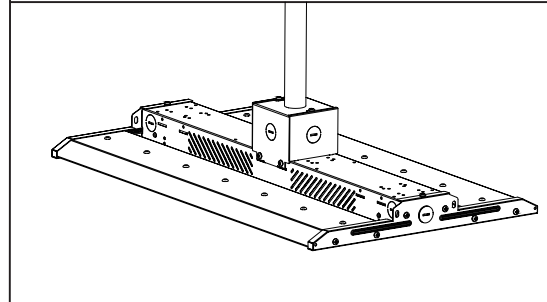
3. Turn off power, and make wiring connections with terminal cap. (see wiring instruction below)



4. Attach both face plates to the Junction box with the provided hardware

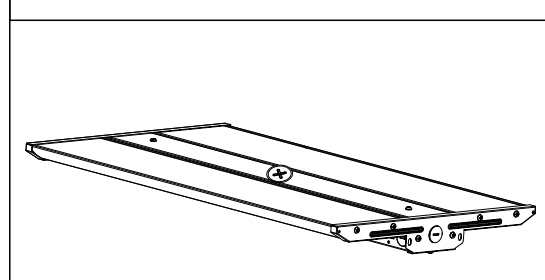


5. Installation completed.

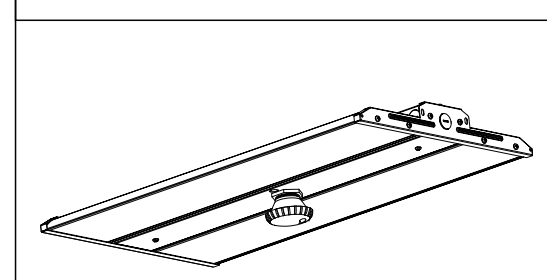


Motion sensing Installation:

1. Unscrew the nut on the base of the motion sensor



2. Install the motion sensor and tighten the screws.



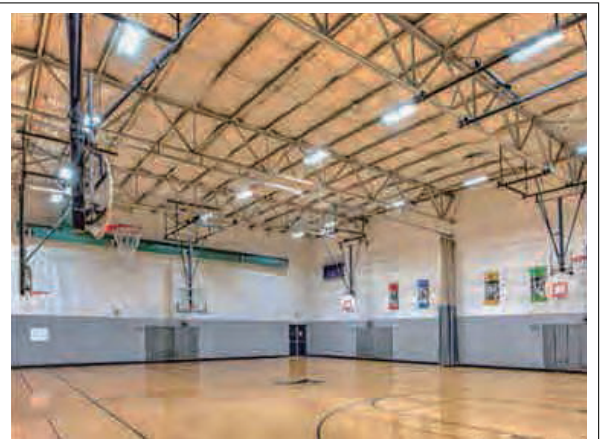
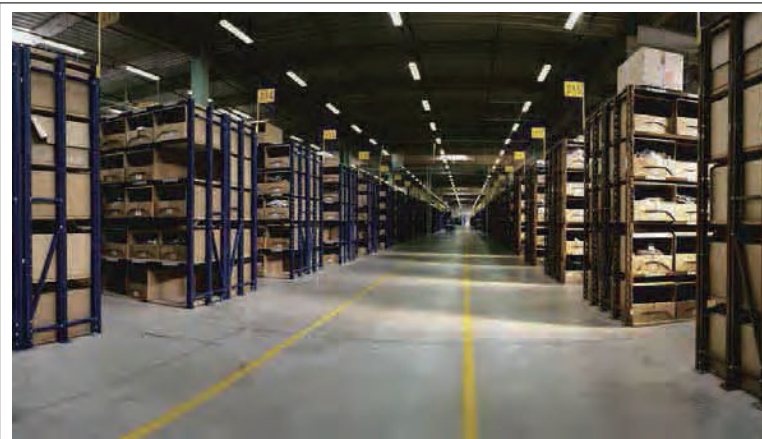
// Packing/Weight

Part NO.	Outer Carton Size (LxWxH)	Qty/Carton (pcs)	Netweight (lbs)	Grossweight (lbs)
2ft	670*165*425mm 26.38"*6.5"*16.73"	2	12	14
4ft	1220*165*425mm 48"*6.5"*16.73"		22	24

// Packing info

Model	Packing way	Carton size(mm)	Pallet Loading			Non-Pallet Loading		
			20'GP	40'GP	40'HP	20'GP	40'GP	40'HP
2ft	2PCS/Carton	670*165*425mm				1800PCS	3500PCS	3600PCS
4ft	2PCS/Carton	1220*165*425mm				1000PCS	1900PCS	2000PCS

// Applications



// Note

- 1.The installation and maintenance must be completed by electricians or professionals.
- 2.Please cut off the power before installation and maintenance.
- 3.The thermally insulating material is not allowed to cover the fixture.
- 4.Please keep away from the corrosive substance, and keep the fixture dry and clean.
- 5.Working temperature: -4°F~122°F, storage temperature: -22°F~158°F.