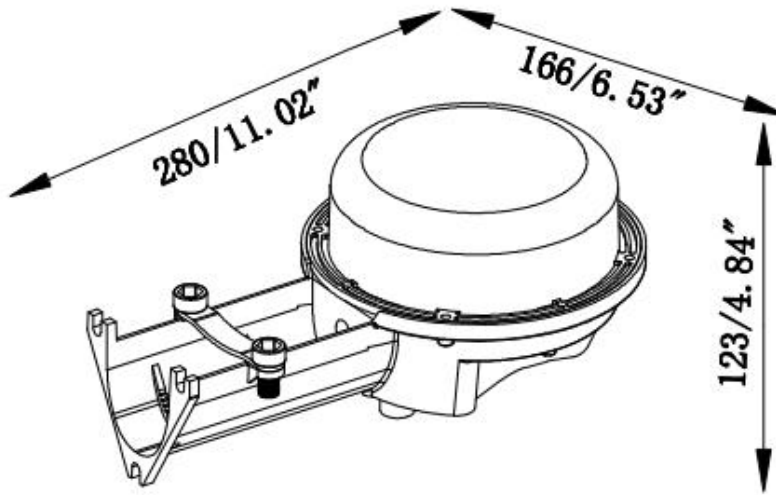




Editdate	Approved	Audit	Execution	ItemModel	Version	Doc.No.
2019. 08. 26				DM-AR01-023W Series	A0	

ItemPicture

1. Size



Specification

Model.	DM-AR01-023W Series				
Wattage	23W±10%				
Input Voltage	AC100-277V 50/60HZ				
Output Voltage	DC100-137V				
Output Current	173MA±5%				
Driver Efficiency	>80%				
PF	≥0.9				
THD	≤20%				
SDCM	/				
CCT	3045±175K	3985±275K	5029±283K		
Lumen effectiveness	≥130LM/W				
Lumen output	3000±10% LM				
CRI	Ra>80				
Cover	PC				
Beam angle	120				
EMC Test	FCC PART15				
Streptitus	≤24dBA				
Working Temperature	-40~+40℃	-40~+40℃	-40~+40℃		
Storage Temperature	-30~+60℃	-30~+60℃	-30~+60℃		
Life Span	50,000 HR				
IP Rate	Wet Location/IP65				
Master Carton	/	G. W.	/	N. W.	/