

**Direct Kit  
DK**

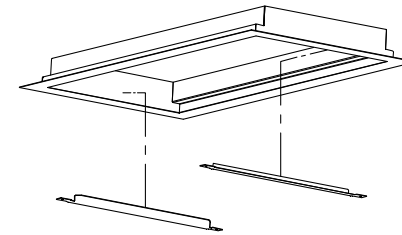


**CAUTION**  
 READ ALL INSTRUCTIONS BEFORE BEGINNING INSTALLATION.  
 TURN MAIN POWER OFF BEFORE BEGINNING.

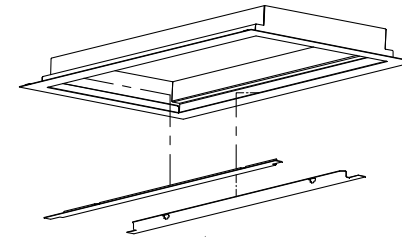
**Recess Mounting** Utilizes A,B, C, D1, D2, D3, E

- 1 Unpack the fixture carefully.
- 2 Do not use if this fixture is damaged.
- 3 Make sure main power is off to avoid electrocution.
- 4 Uninstall old fluorescent bulbs from the fixture housing.
- 5 Open the ballast cover and disconnect all old power wires, keeping the main power outlet.
- 6 Insert T-bar end plate **B** (two pieces provided) between the existing T-bar rim and the existing fixture shell on the short side.
- 7 Repeat the same step 6 for the second plate on the opposite side of the existing fixture.
- 8 Insert T-bar side plate **C** (two pieces provided) between the existing T-bar rim and the existing fixture shell on the long side.
- 9 Repeat the same step 8 for the second side plate on the opposite side of the existing fixture.
- 10 The side plates **C** will have a punch out, use this to install fixture cover **A**.
- 11 Install fixture cover **A** by capturing the Hinge pin into the pivot holes located on side plate **C**, make sure it is secured.
- 12 Screw in the safety cables located on fixture cover **A** to the shell of the existing fixture shell.
- 13 Connect Live wire in **D1** (white) to main power Live (white) using wire connector **E** (not provided).
- 14 Connect ground wire in **D2** (black) to main power ground (black) using wire connector **E** (not provided).

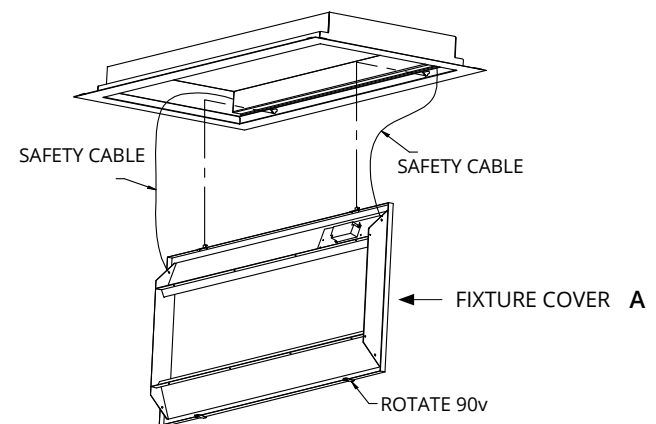
**Direct Kit  
DK**



T-BAR END PLATE **B**



T-BAR SIDE PLATE **C**





- 15 Connect neutral wire in **D3** (green) to main power neutral (green) using wire connector **E** (not provided).
- 16 Slide in the connected wires so the side before swinging closed.
- 17 Secure Fixture cover **A** to side plate **C** by capturing the pole by screwing in screws **F** (provided) firmly.

