



PROJECT NAME

CATALOG NO.

TYPE

DATE

NOTE

## LED COMMERCIAL DOWNLIGHT

## CSDL Series Downlight

### DESCRIPTION

The CSDL Series LED Commercial Downlight is an economical all-in-one solution for recessed down lighting for commercial applications. Easy to install in new construction and replace most manufacturers incandescent, CFL or HID fixtures. CSDL series comes in 4", 6", 8", and 10" trim.

#### APPLICATION

Indoor general/ambient illumination. Idea for offices, hotels, retails, and other architectural spaces that demand energy demand reduction and high quality light.



### SPECIFICATION FEATURES

#### Construction

CSDL Series is built with easy conversion method and installation can be performed from below the ceiling without removing existing fixture. Housing and optics maintain wet location rating.

#### Electrical

Luminaire utilizes long life, high efficacy LEDs and a highly efficient, reliable LED driver. 120-277V input voltage for increased versatility. Suitable for wet location.

#### Controls

Suitable for use with dimming wall switch to achieve deeper energy-savings and code compliance. Recommended dimmers: DIVA-DVTV(LUTRON), NOVA T NTSTV- DV(LUTRON).

#### Certifications / Regulatory

cETLus listed. Wet locations. All components used have UL approval.

#### Warranty

5-year limited warranty. See complete warranty terms for details.

### Quick Ship Product



## ORDERING INFORMATION

Sample Number: **CSDL-4-20A/8A-50D**

CSDL	4	20A	8	A	50D	(Blank)
<b>Series</b>	<b>Form Factor</b>	<b>Lumen Package</b>	<b>CRI</b>	<b>CCT</b>	<b>Beam Angle</b>	<b>Housing Finish</b>
CSDL - LED Commercial Downlight	4 - 4" trim 6 - 6" trim 8 - 8" trim 10 - 10" trim	20A - 20/15/10W Adjustable 40A - 40/30/20W Adjustable 60A - 60/50/40W Adjustable	8 - 80+ CRI	27 - 2700K A - 5000/4000/3000K Adjustable	50D - 50° beam angle 70D - 70° beam angle 40D - 40° beam angle 60D - 60° beam angle	(Blank) - White BK - Black(option)

### Options

#### Accessory

- CSDL-T4-50D - 4" trim with 50 degree beam angle reflector
- CSDL-T4-70D - 4" trim with 70 degree beam angle reflector
- CSDL-T6-50D - 6" trim with 50 degree beam angle reflector
- CSDL-T6-70D - 6" trim with 70 degree beam angle reflector
- CSDL-T8-40D - 8" trim with 40 degree beam angle reflector
- CSDL-T8-60D - 8" trim with 60 degree beam angle reflector
- CSDL-T10-40D - 10" trim with 40 degree beam angle reflector
- CSDL-T10-60D - 10" trim with 60 degree beam angle reflector

- GR-4-(SA/WH/BK) - Goof Ring cover for 4" in (sliver or white or black) color
- GR-6-(SA/WH/BK) - Goof Ring cover for 6" in (sliver or white or black) color
- GR-8-(SA/WH/BK) - Goof Ring cover for 8" in (sliver or white or black) color
- GR-10-(SA/WH/BK) - Goof Ring cover for 10" in (sliver or white or black) color
- NCB-DW - New Construction Bracket for Drywall (only compatible with 4-8" trim but not 10" trim)
- NCB-TG - New Construction Bracket for T-Grid

#### Emergency Backup

(require field installation)

- EM700 - 700lm
- EM1400 - 1400lm

SUMMARY

Input Voltage	120-277V
Input Power	See energy data for details
Power Factor	>0.9
THD (Max.)	20%
Efficacy	>95 LPW
Delivered Lumens	See energy data for details
Controls/ Dimming	Full Range 0-10V dimming standard
Dimming Range	0-10V Continuous (10-100%)
CRI	>80
CCT	2700K, 3000/4000/5000K Selectable
Operating Temp.	-4 ~ +104°F (-20 ~ +40°C)
Rated Life	50,000 hours

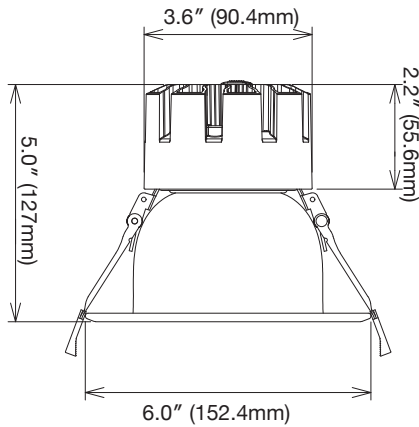
ENERGY PERFORMANCE DATA

Part No.	Rated Wattage (W)	Delivered Lumens (lm)	Efficacy (lm/W)
CSDL-4-20A	20/15/10	1850/1425/950	95
CSDL-6-40A	40/30/20	4000/3300/2200	110
CSDL-8-60A	60/50/40	6200/5375/4300	105
CSDL-10-60A	60/50/40	6200/5375/4300	105

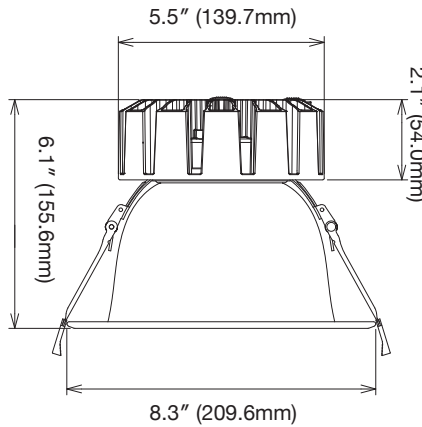


PHYSICAL PARAMETERS

CSDL-4-20A

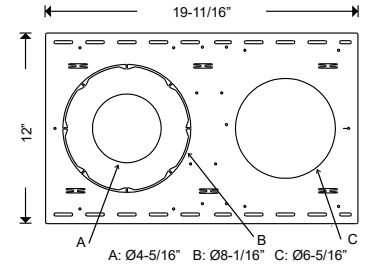


CSDL-6-40A

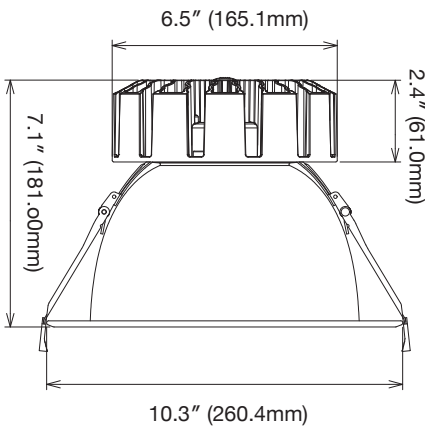


Accessory

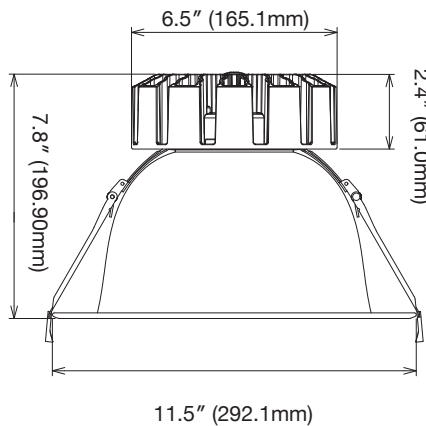
NCB-DW



CSDL-8-60A



CSDL-10-60A



NCB-TG

