



PROJECT NAME

CATALOG NO.

TYPE

DATE

NOTE

## LED OUTDOOR SURFACE CANOPY

**CNP Series**  
Canopy Luminaires

### DESCRIPTION

The CNP - LED outdoor surface Canopy is a modern and versatile integrated LED solution that delivers long life and energy savings within a low profile design and provides a safe and visually appealing lighting experience. The rugged housing and dedicated LED design offers advanced thermal management and protection against outdoor and semi-outdoor environments.

### APPLICATION

The CNP solution is ideal for walkways, parking structures, drive-thrus, cold storage, garages, outdoor aisles, and walk in coolers.

### SPECIFICATION FEATURES

#### Construction

Solid constructed die-cast aluminum housing withstands outdoor environments. Outer surface treated with UV stabilized powder coating to provide resistance to corrosion, rust, weathering, and UV degradation.

#### Electrical

Luminaire utilizes long life, high efficacy LEDs and a highly efficient, reliable LED driver. 120V-277V input voltage for increased versatility. Comes equipped with quick disconnect for compliance with US code.

#### Mounting

Luminaire mounting designed for standard J-Box, can be mounted directly or with 3/4" pendant mounting option, innovative quick mount system allows for contractors to work safely and easily in the confined space areas.



#### Optics

High impact PC diffuser provide efficient distribution of light.

#### Finish

Outer surface treated with UV stabilized dark bronze powder coating to provide resistance to corrosion, rust, weathering, and UV degradation.

#### Controls

Suitable for use with photocell and High/Low/Off motion sensor to achieve deeper energy-savings and code compliance.

#### Certifications / Regulatory

cULus listed. Wet location. All components have safety approvals.

#### Warranty

7-year limited warranty. See complete warranty terms for details.

### Quick Ship Product

## ORDERING INFORMATION

Sample Number: **CNP-43A/7A**

CNP	43A	7A	(Blank)	(Blank)
<b>Series</b> CNP - outdoor surface Canopy	<b>Lumen Package</b> 43A - 43/38/26/14W Adjustable 60A - 60/52/35/18W Adjustable 83A - 83/73/49/26W Adjustable	<b>CRI and CCT</b> 7 - CRI70+ A - 5000/4000/3000K Adjustable	<b>Input Voltage</b> (Blank) - 120V-277V	<b>Finish Color</b> (Blank) - Dark Bronze

### Options

#### Controls

- PS - Photocell Sensor
- SPD - 10KV Surge Protection Device
- MMS - Multifunction Motion Sensor (Motion detection/Photocell/Dimming)

#### Emergency Backup

- (Lumen will maintain over the 90-minute duration)
- EM700 - 700lm
- EM1400 - 1400lm
- Note:** Emergency only available for CNP-60A and CNP-83A.

SUMMARY

Input Voltage	120V-277V
Input Power	See energy data for details
Power Factor	>0.90
THD (Max.)	<20%
Efficacy	130 LPW
Delivered Lumens	See energy data for details
Controls/ Dimming	0-10V
CRI	>70
CCT	3000K/4000K/5000K Selectable
Operating Temp.	-40°F ~ 104°F (-40°C ~ +40°C)
Rated Life	70,000 hours
IP Grade	Wet Location

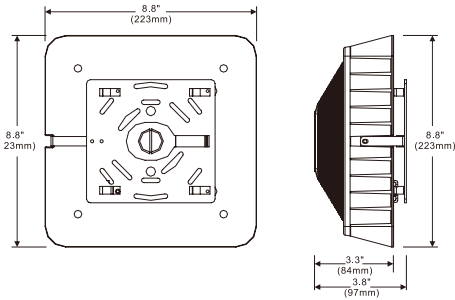
ENERGY PERFORMANCE DATA

Part No.	Rated Wattage (W)	Delivered Lumens (lm)	Efficacy (lm/W)
CNP-43A/7A	43/38/26/14	5590/4940/3380/1820	130
CNP-60A/7A	60/52/35/18	7800/6760/4550/2340	130
CNP-83A/7A	83/73/49/26	10790/9490/6370/3380	130

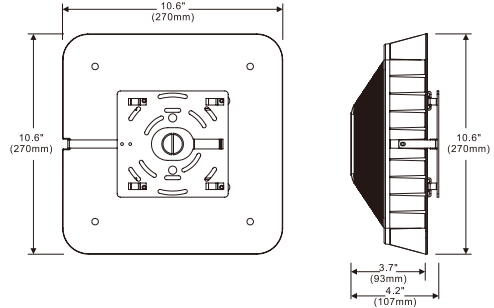
PHYSICAL PARAMETERS

DIMENSION

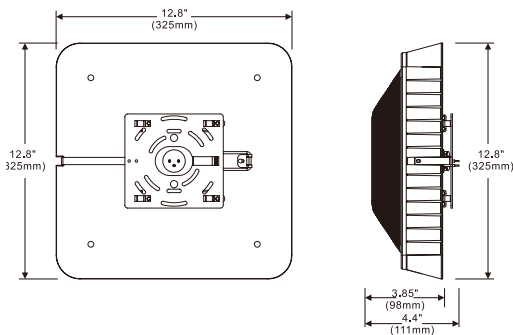
CNP-43A



CNP-60A



CNP-83A



Innovative quick mount system (included)

