

Project Name:	Type:
Part Number:	Date:

6" CLICK WITH PIR SENSOR

SPECIFICATION FEATURES

- Mechanical – Die cast aluminum heat sink. Polycarbonate lens and trim with integrated PIR sensor. Fixture surface mounts to industry standard 4" junction boxes from below the ceiling.
- Electrical – 120V only, 50/60 Hz driver. Integrated PIR motion sensor turns ON with motion and OFF after 10 minutes of inactivity.
- Optical – 2700K, 3000K, and 4000K color temperatures available. 110° beam angle. Minimum 90CRI with 4-step SDCM. PIR sensor range 16' at 8' mounting height.
- Thermal – Die cast aluminum heat sink. Rated L70 lifetime of 50,000 hours. Ambient temperature rating: -4°F to 95°F (-25°C to 35°C).
- Compliance and Warranty – ETL Listed for WET locations. Energy Star® listed. Air-tight rated JA8 Certified to meet CA Title 24 requirements. Suitable for use within closet spaces when installed per NEC 410.16 spacing requirements. 5 year parts warranty for complete fixture.



BENEFITS

- Fixture integrated PIR motion sensor automatically turns off fixture after 10 minutes of inactivity
- Eliminates the need to external PIR sensor
- Quick and easy installation
- Wet location and Air-tight rated.

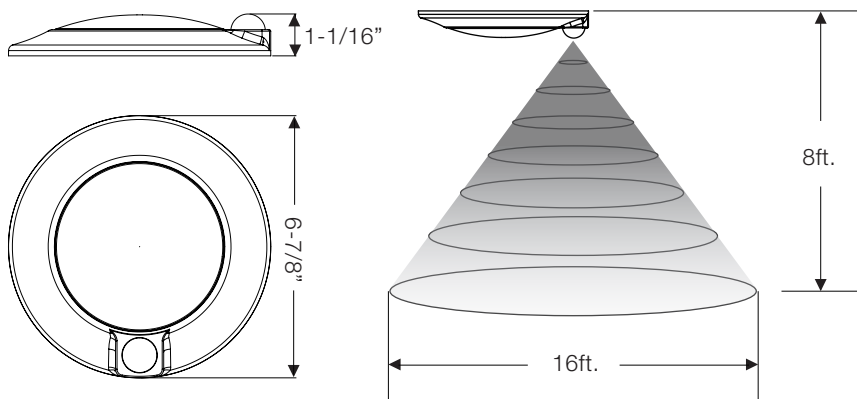
APPLICATIONS

- Residential, Hospitality, and Commercial new construction and retrofit projects
- Bathrooms, hallways
- Closets, pantries, laundry rooms

ORDERING INFORMATION

Series	Size	Time Delay	CRI	CCT	Voltage
<input checked="" type="checkbox"/> CLKSEN Click with PIR Motion Sensor - 600lm	<input checked="" type="checkbox"/> 6 6"	<input checked="" type="checkbox"/> 10MIN 10 Minutes	<input checked="" type="checkbox"/> 9 CRI 90	<input type="checkbox"/> 27 2700K	<input checked="" type="checkbox"/> 120V 120V, 50/60Hz
				<input type="checkbox"/> 30 3000K	
				<input type="checkbox"/> 40 4000K	

LINE DRAWINGS



- This lamp features PIR On/Off motion sensor
 - Mounting Height: 8ft.
 - Coverage Area: 16ft. (8ft. Radius)
 - Time Delay: 10 min.
- The PIR sensor detects body motion through changes in infrared energy within the coverage area
- Once motion is detected in the area, the lamp will go on automatically for 10min
- After 10min without any motion in the area the lamp will turn off automatically

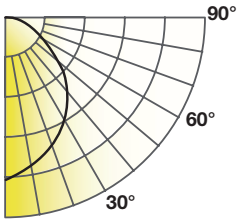
6" CLICK WITH PIR SENSOR

TECHNICAL INFORMATION

Sensor	Input Voltage	Input Frequency	Input Current	Input Power	THD Power	Power Factor
PIR Motion - On/Off - 10 Minutes	120V	50 / 60Hz	92mA	10W	<20%	0.9

PHOTOMETRY

CLKSEN6/10MIN/930/120V



Lumens: 600 lm
 Power: 9.7 W
 Efficacy: 62 lm/W
 CRI: 90+
 Spacing Criteria: 1.25
 Beam Angle: 111°

Candlepower Distribution		Initial Footcandles			Zonal Lumen Summary		
Angle (°)	Average (cd)	Height (ft)	Fc	Diameter (ft)	Zone	Lumens	%Fixt
0	205	4	13	13	0-30	158	26
5	204	6	6	20	0-40	258	43
15	195	8	3	27	0-60	455	76
25	181	10	2	33	0-90	591	99
35	160	12	1	40			
45	132						
55	104						
65	70						
75	42						
85	15						
90	6						

Performance Data CLKSEN6/10MIN/9xx/120V			
CCT	2700K	3000K	4000K
Lumens	600	600	620
LPW	60	60	62