



CEGONIA 8W 20W 30W

CATALOG		COMMENTS
PROJECT		
PREPARED BY		
DATE		

APPLICATIONS

CEGONIA features an LED engine ranging from 8W to 30W. It's perfect for areas where the design of the street lights needs to blend with the surrounding area. CEGONIA provides sufficient lighting for numerous applications, such as parking lots, courtyards, landscapes, pathways, bicycle lanes, park playgrounds and corporate campuses. With a two-piece design solution for the panel and lighting engine, these fixtures can easily provide up to 7+ days of operation on a full charge.

DESCRIPTION

Inspired by the image of a stork in flight, CEGONIA's design is artful, with graceful curves. However, it's the ease of installation and quality of light that will impress you most. This luminaire can be used for multiple applications, but it's in parking lots where its superior aesthetics and 90% downward light excel.

CERTIFICATION DATA



ORDERING INFORMATION

SERIES	WATTAGE	COLOR TEMPERATURE	MOUNTING OPTIONS	FINISH
STLSTE=CEGONIA	08=8W 1600 LUMENS	3=3000K	WM=WALL MOUNT	WH=WHITE
	20=20W 4000 LUMENS	4=4000K	TRR=TRUNNION ROUND	BR=BRONZE
	30=30W 6000 LUMENS	5=5000K 6=5700K	TRS=TRUNNION SQUARE	

- - - -

SPECIFICATION FEATURES



7 Days and 50+ Hours Max Autonomy

- UP to 384 WH battery capacity
- Full self-charging time less than 6.5 hrs
- Remote control included with one-button mode settings



Generates More Solar Energy

- Up to 64 W Mono-Crystalline Solar Panel
- Angled solar panel provides maximum energy and self-cleaning of the panel surface



High Brightness, Smart Power Consumption

- 360-degree downward light disbursement
- >200 LM/W lighting efficiency



Longer Life

- Grade A LifePO4 Battery Pack, 2000+ full charging cycles
- Lumileds 5050 LED chips
- PC diffuser is UV-resistant



Universality for Different Orientations

- Pole mounting option and wall mounting option
- 270-degree rotation and large panel size work universally in high shade areas
- Rotating solar panel and rotating light engine



Elegant Design

- Perfect balance between a retro/classic design and the contemporary appearance of our latest solar technology



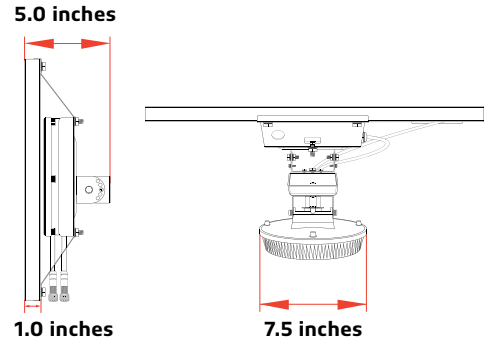
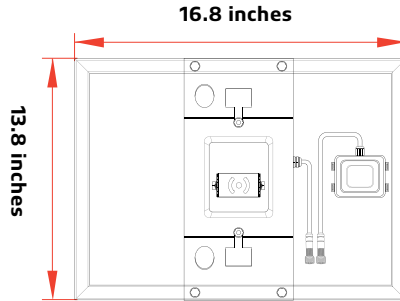
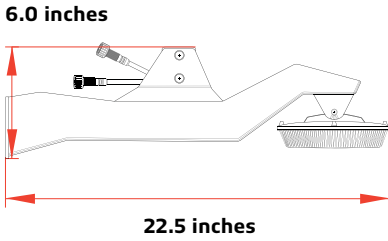
CEGONIA 8W 20W 30W

CATALOG		COMMENTS
PROJECT		
PREPARED BY		
DATE		

PRODUCT SIZE

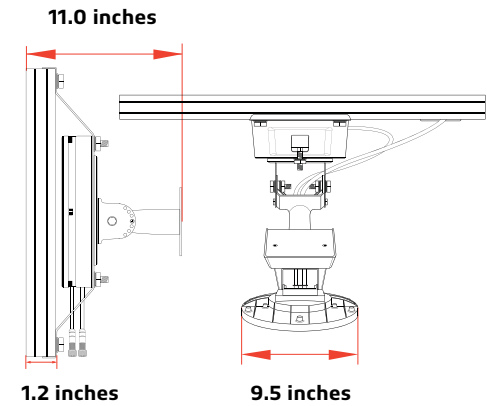
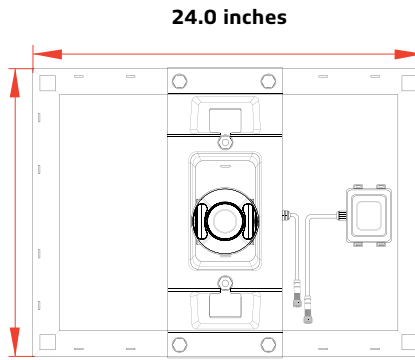
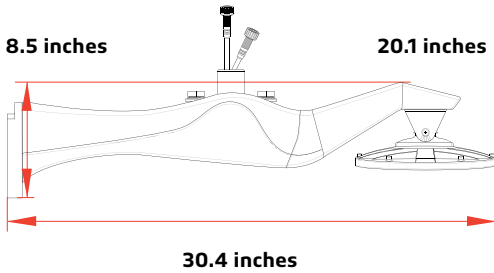
CEGONIA 8W

- SOLAR PANEL: 3.9 Lbs
- SOLAR LAMP: 5.9 Lbs
- BATTERY ASSEMBLY: 6.1 Lbs



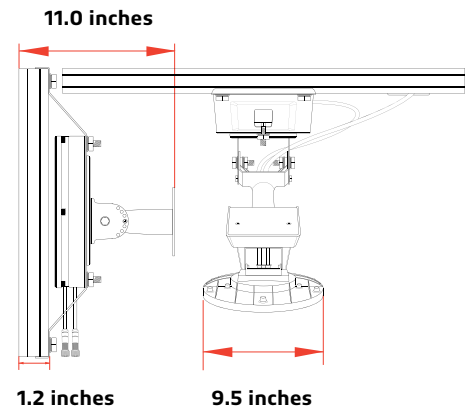
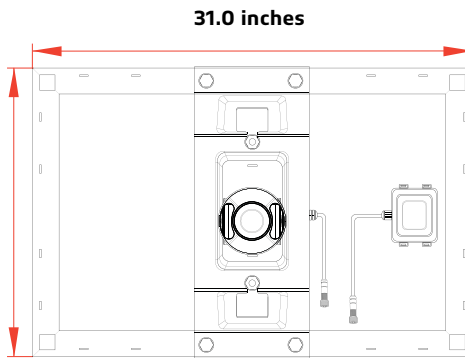
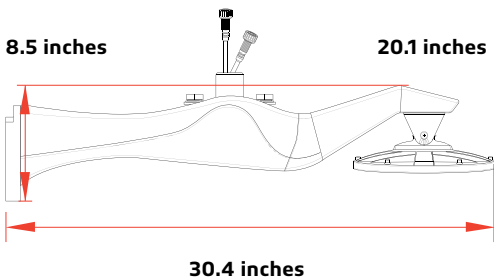
CEGONIA 20W

- SOLAR PANEL: 8.2 Lbs
- SOLAR LAMP: 12.1 Lbs
- BATTERY ASSEMBLY: 14.3 Lbs



CEGONIA 30W

- SOLAR PANEL: 9.9 Lbs
- SOLAR LAMP: 13.6 Lbs
- BATTERY ASSEMBLY: 16.9 Lbs





CEGONIA 8W 20W 30W

CATALOG		COMMENTS
PROJECT		
PREPARED BY		
DATE		

SPECIFICATIONS

Specifications	CEGONIA 8W	CEGONIA 20W	CEGONIA 30W
LED Nominal Power	8W	20W	30W
Solar Panel	20W 18V	48W 18V	64W 18V
LiFePO ₄ Battery	115WH 12.8V 9AH	256WH 12.8V 20AH	384WH 12.8V 30AH
Weight	15.9Lbs	34.6Lbs	40.4Lbs
Lumen Output@5000K	1600	4000	6000
CRI	> 70 (> 80 Optional)	> 70 (> 80 Optional)	> 70 (> 80 Optional)
LED Chip	Lumileds 5050 (215lm-CR>70)	Lumileds 5050 (215lm-CR>70)	Lumileds 5050 (215lm-CR>70)
* EPA@45°	2.12 ft ²	4.11 ft ²	4.94 ft ²
Waterproof Rate	IP65	IP65	IP65
Casting	Aluminum	Aluminum	Aluminum
Efficiency@5000K	200lm/W	200lm/W	200lm/W
* Charging Time	6hrs	6hrs	6hrs
Operation Mode	Remote control and One-key Setting	Remote control and One-key Setting	Remote control and One-key Setting
Installation Height	6-13 ft	9-16 ft	9-20 ft
* Operating Temperature	-20°C/-4°F to 122°F	-20°C/-4°F to 122°F	-20°C/-4°F to 122°F
* Charging Temperature	0°C/32°F to 149°F	0°C/32°F to 149°F	0°C/32°F to 149°F
Maximum Autonomy@Full Power			
Motion Sensor Mode	40%-100% 35hrs 20%-80% 55hrs	40%-100% 35hrs 20%-80% 55hrs	40%-100% 35hrs 20%-80% 55hrs
Time Control Mode	Night Owl 28hrs Early Bird 25hrs	Night Owl 28hrs Early Bird 25hrs	Night Owl 28hrs Early Bird 25hrs
Constant Mode	100% 12hrs 70% 17hrs 40% 30hrs	100% 11hrs 70% 15.5hrs 40% 27hrs	100% 11hrs 70% 15.5hrs 40% 27hrs

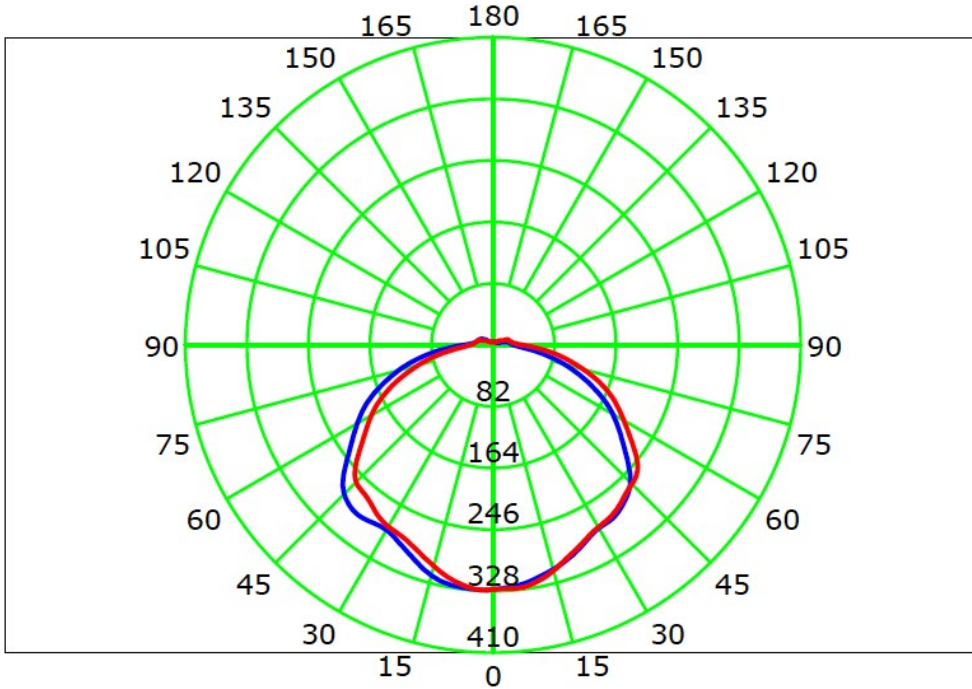
* For more information of EPA data, Please contact SOLTECH team. 45° solar panel tilt angle is not a suggested angle for all installations of SOLTECH solar products.

* The temperature can impact the battery's charging and normal operation. If your place's temperature is under 32°F, we advice you to use the PRO version to achieve better lighting results.

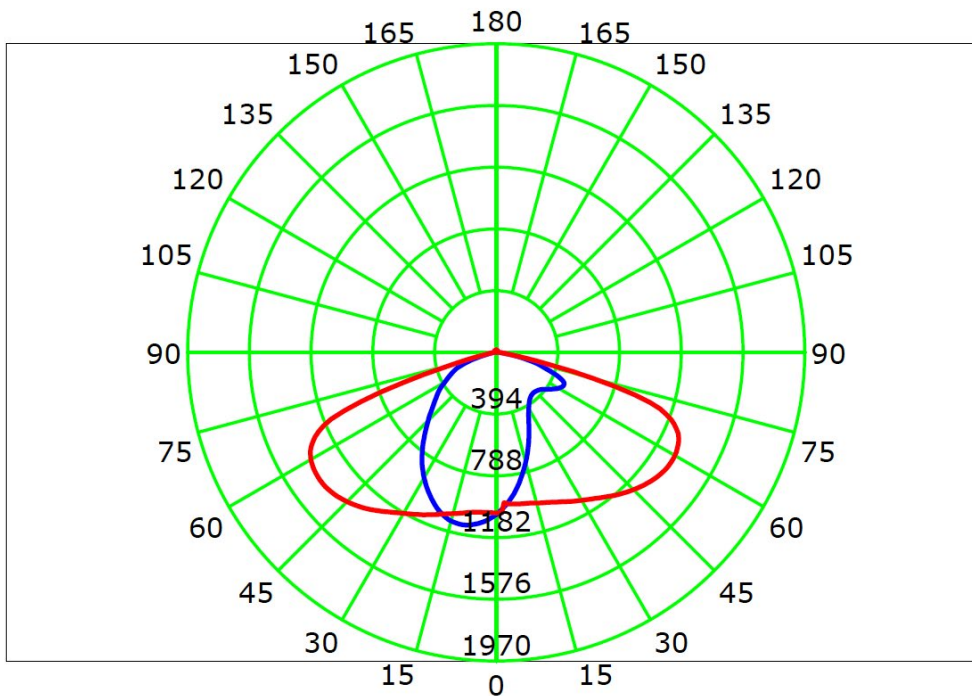
* The solar charge time data is base on 77 degree F ambient temperature with the panel pointed directly at the solar radiation. The standard radiation value is 1000W/m².

CATALOG		COMMENTS
PROJECT		
PREPARED BY		
DATE		

IES / BEAM

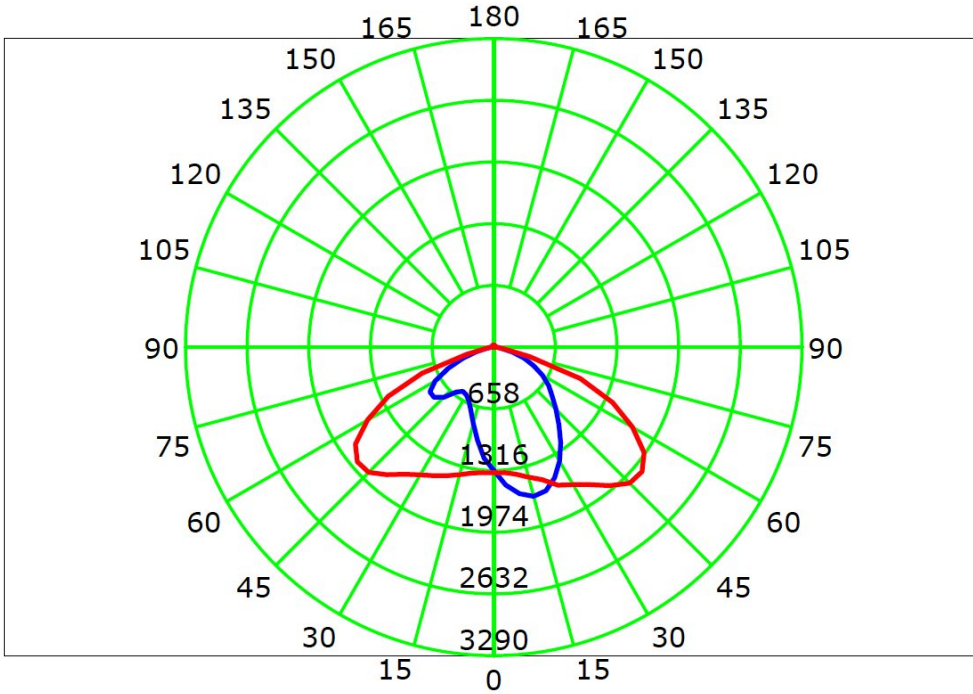


CEGONIA 8W Type III



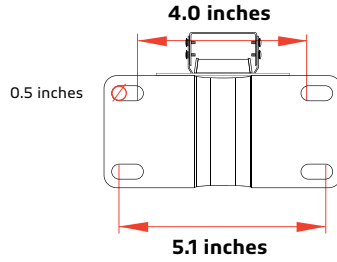
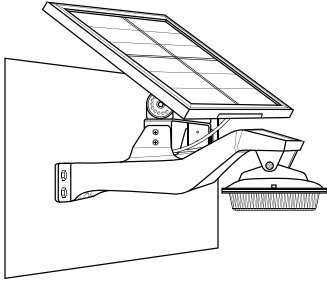
CEGONIA 20W Type III

CATALOG		COMMENTS
PROJECT		
PREPARED BY		
DATE		

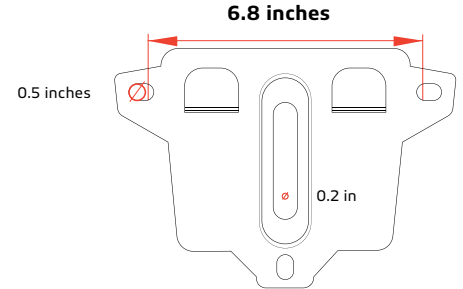


CEGONIA 30W Type III

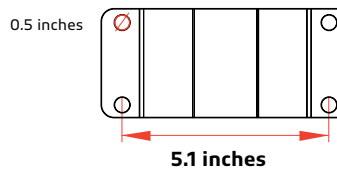
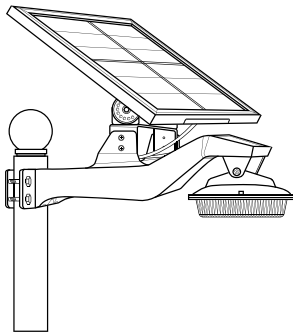
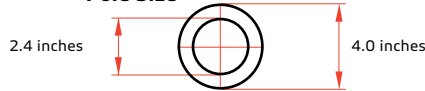
CATALOG		COMMENTS
PROJECT		
PREPARED BY		
DATE		

INSTALLATION ACCESSORIES
A. TRUNNION—Wall Mount


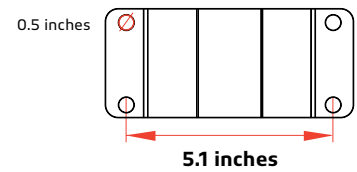
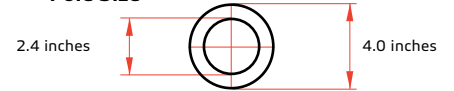
A-a. STLSTE-08-WM (for CEGONIA 8W)



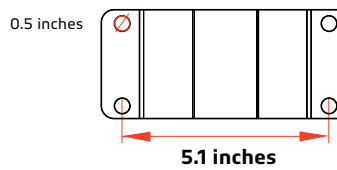
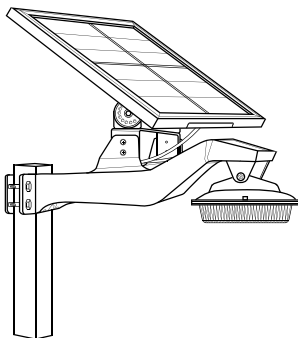
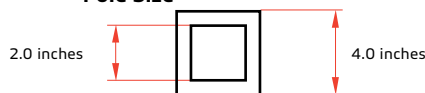
A-b. STLSTE-20/30-WM (for CEGONIA 20W/30W)

B. TRUNNION—Round

Pole Size


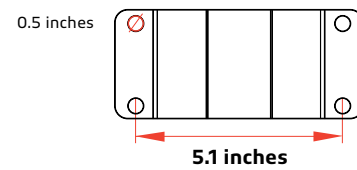
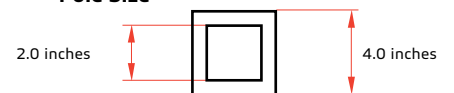
B-a. STLSTE-08-TRR (for CEGONIA 8W) works with 2.4 inches to 4.0 inches poles.


Pole Size


B-b. STLSTE-20/30-TRR (for CEGONIA 20W/30W) works with 2.4 inches to 4.0 inches poles.

C. TRUNNION—Square

Pole Size


C-a. STLSTC-08-TRS (for CEGONIA 8W) works with 2.0 inches to 4.0 inches poles.

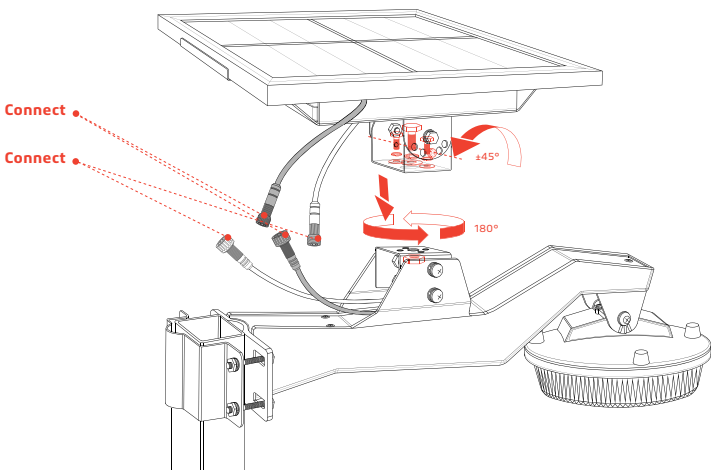
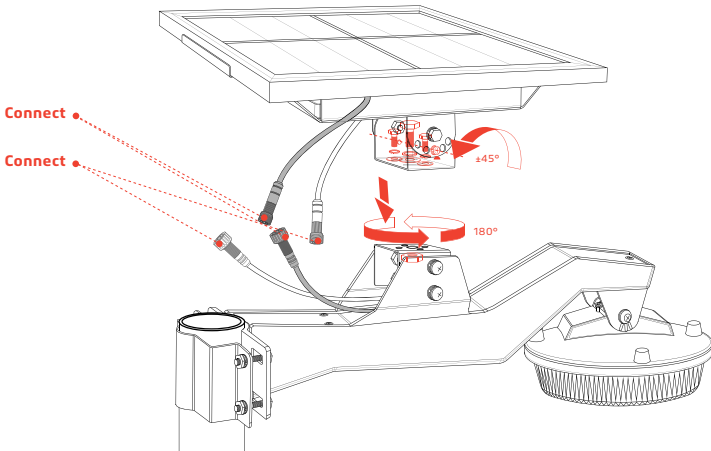
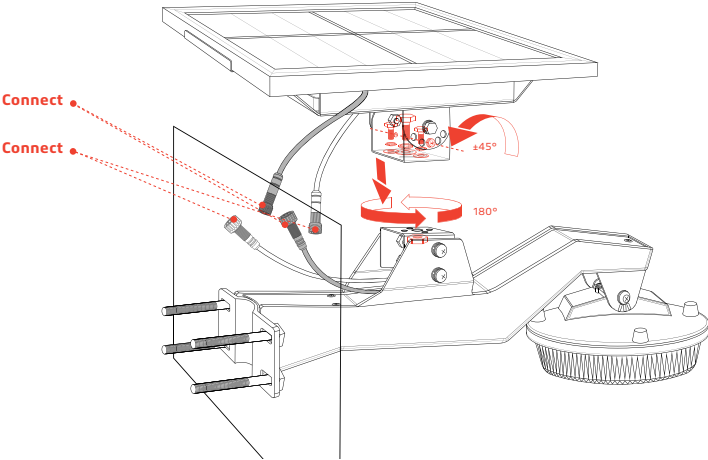

Pole Size


C-b. STLSTC-20/30-TRS (for CEGONIA 20W/30W) works with 2.0 inches to 4.0 inches poles.

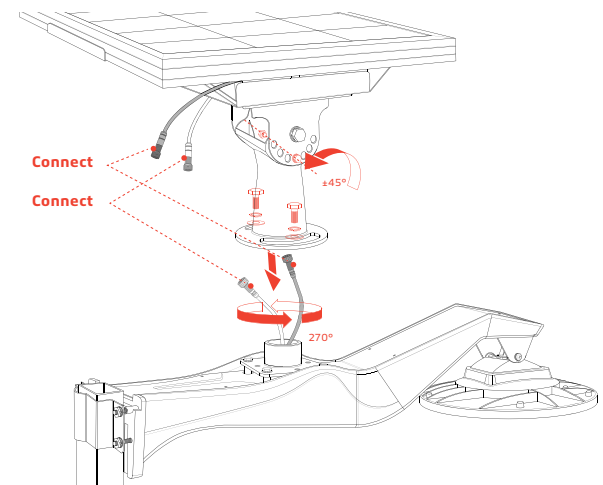
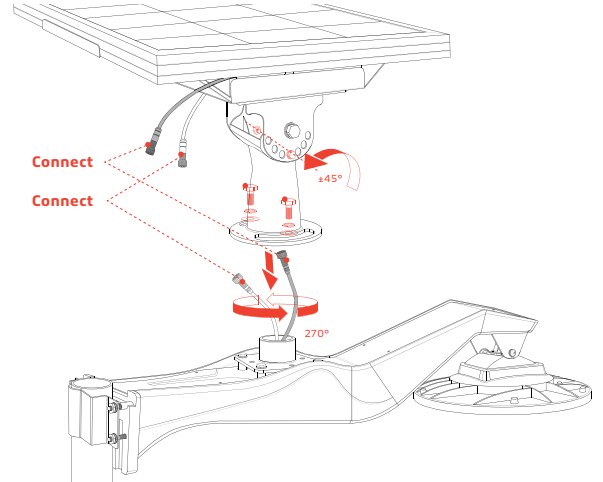
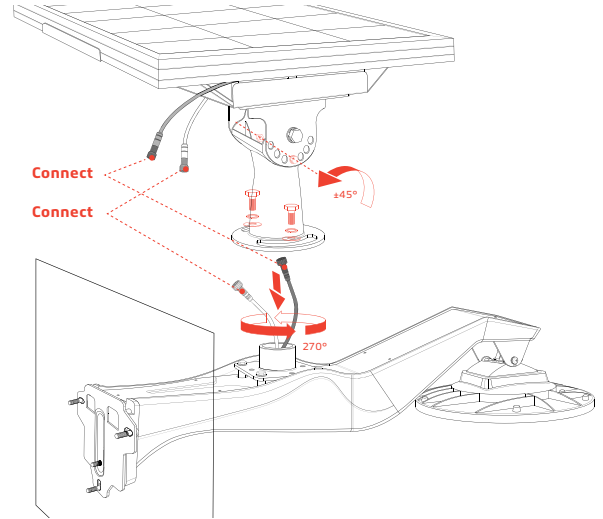
CEGONIA 8W 20W 30W

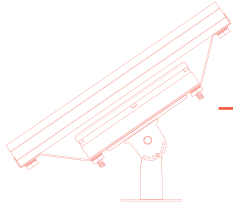
CATALOG		COMMENTS
PROJECT		
PREPARED BY		
DATE		

(8W)



(20W, 30W)





60°

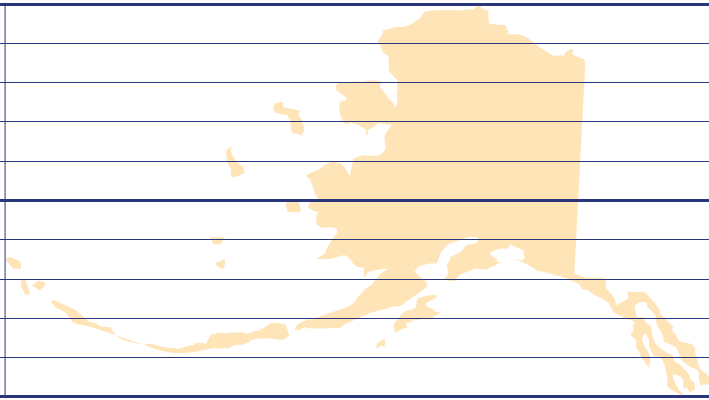
70° N

69° N
68° N
67° N
66° N

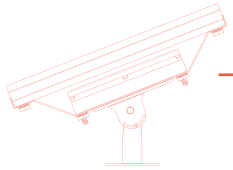
65° N

64° N
63° N
62° N
61° N

60° N



Alaska



45°

49° N

48° N
47° N
46° N

45° N

44° N
43° N
42° N

41° N

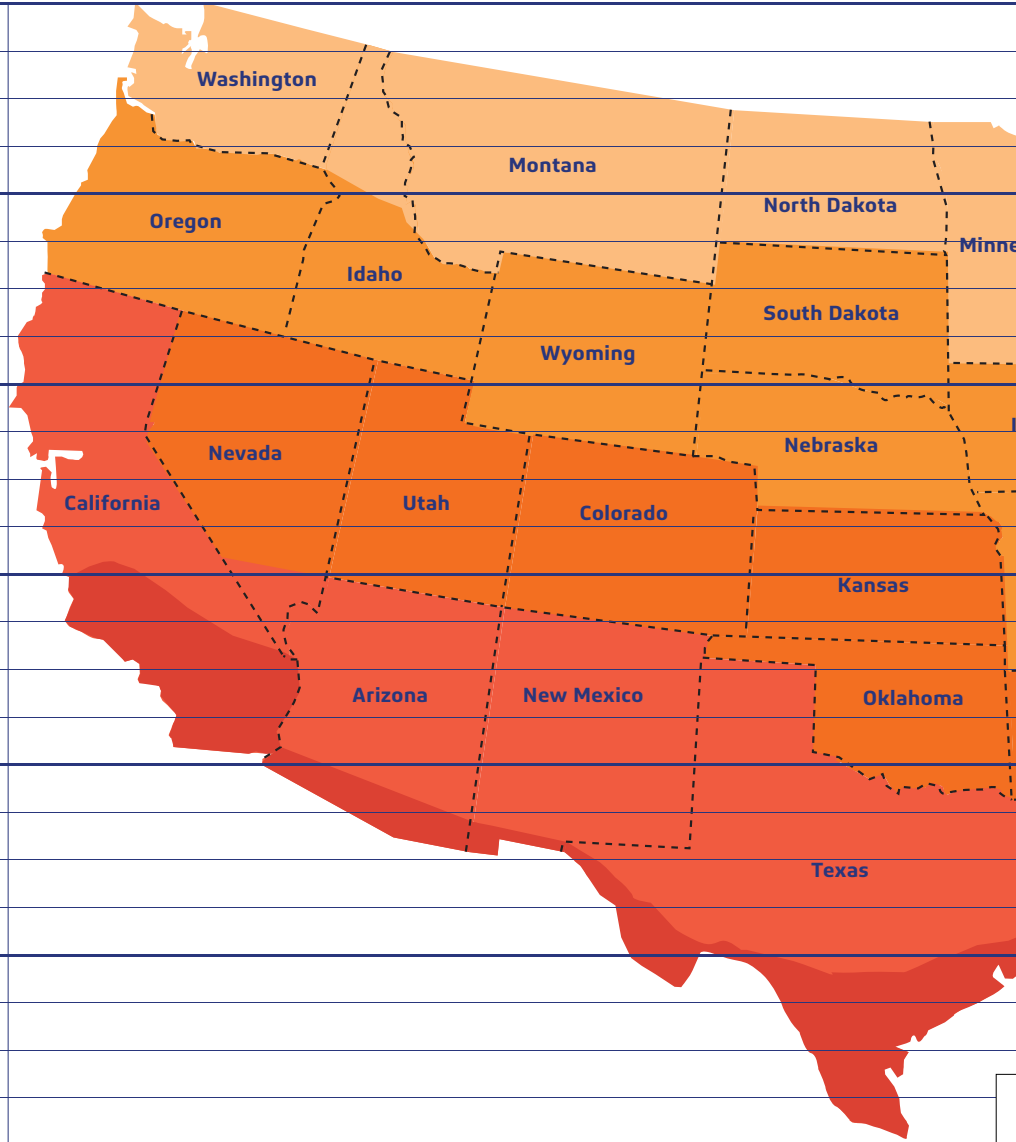
40° N
39° N
38° N

37° N

36° N
35° N
34° N

33° N

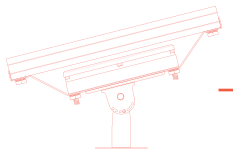
32° N
31° N
30° N



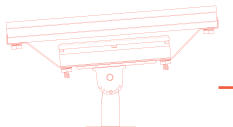
29° N

28° N
27° N
26° N

25° N



30°



15°

21° N

20° N

19° N



Hawaii

08



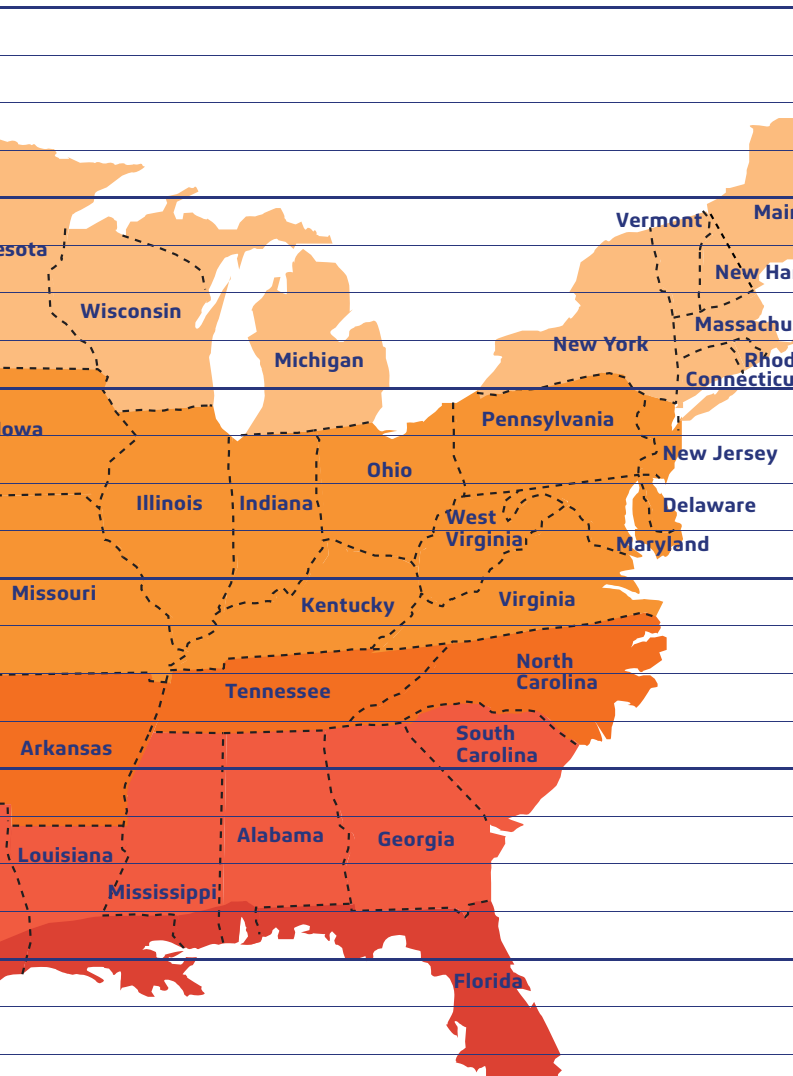
CEGONIA 8W 20W 30W

The Solar charge in a battery pack won't last forever. The off-grid system relies on stored solar energy for autonomy. Angling your solar panels properly can boost the power intake of your solar lighting system. You want to angle your solar panels at a tilt based on the area's latitude.

Tip

You can increase the tilt 15° in the winter or decrease 15° in the summer. In this way you can get the maximum sunlight to recharge the battery.

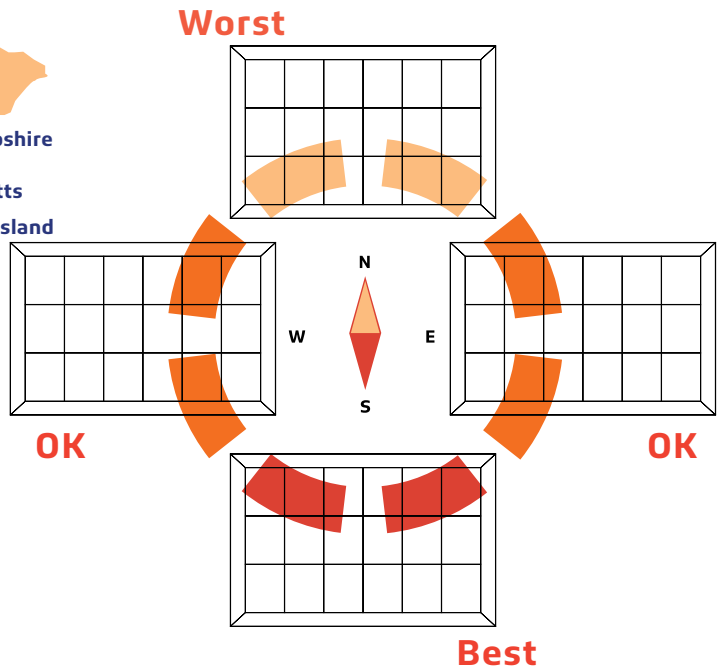
CATALOG		COMMENTS
PROJECT		
PREPARED BY		
DATE		



Key

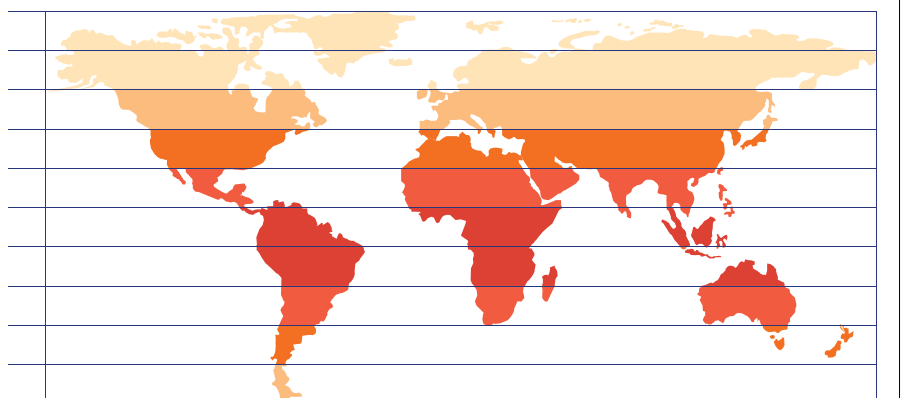
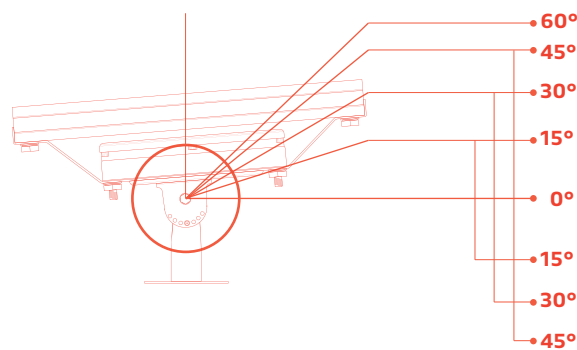


Best Facing Direction For The Solar Panel

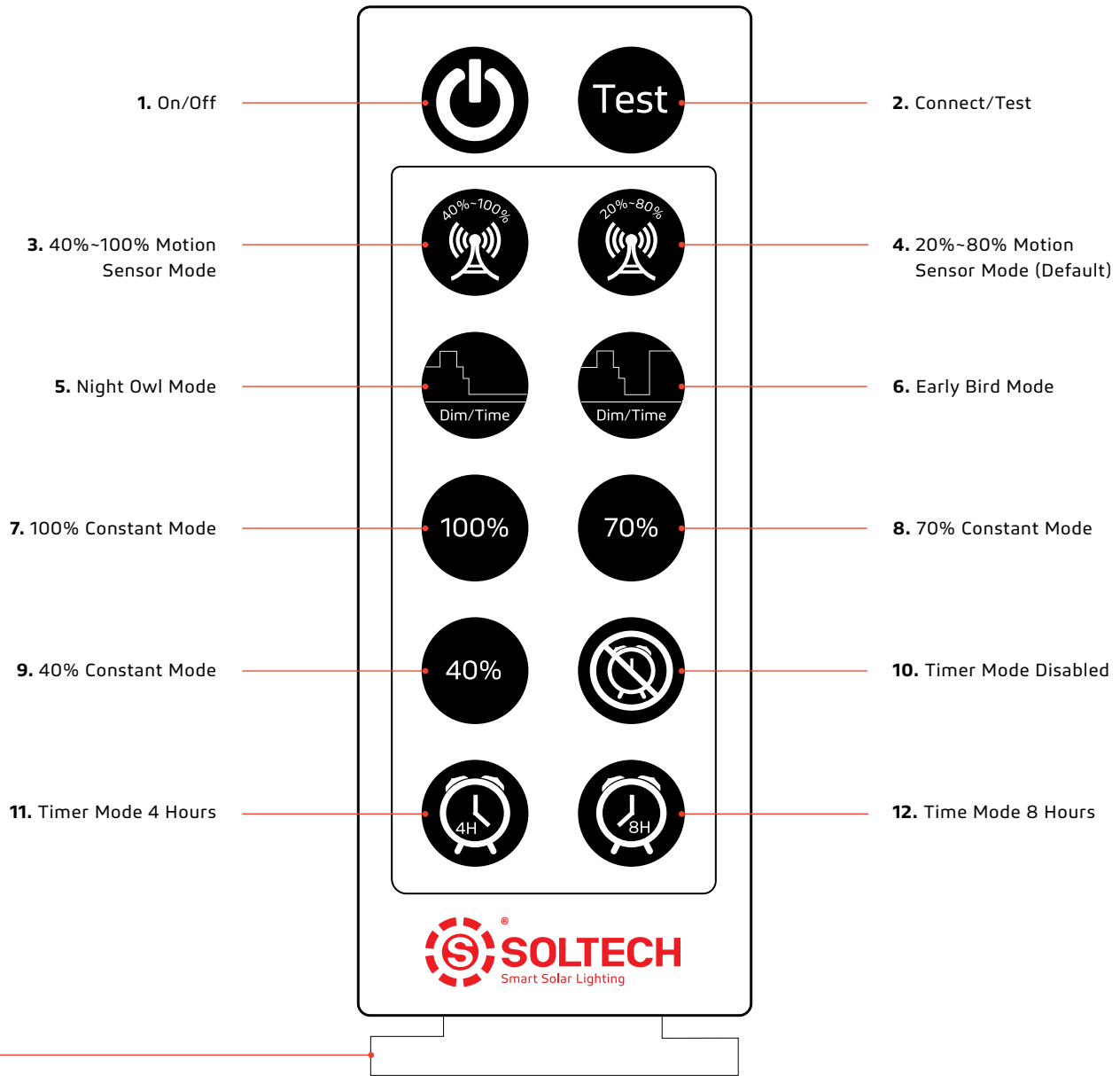


The area will dictate the installation of the fixtures and will sometimes prevent the lights from facing south. But that's okay! Panels facing West & East won't get as much light as Southern facing panels, but will still collect a good amount of sunlight. A North facing panel also works, but it will take longer to charge than any other direction. This would mean that the solar charge will be less optimal if installations are facing North.

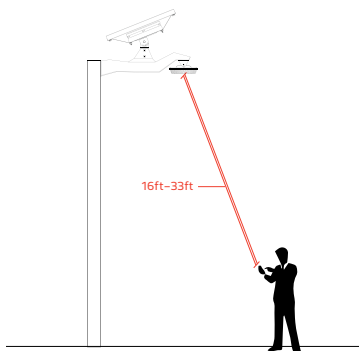
World Wide Panel Angles



CATALOG		COMMENTS
PROJECT		
PREPARED BY		
DATE		

REMOTE CONTROLS


When using the remote for the first time, please remove the plastic piece at the bottom to make the remote turn on.



The range of the remote control to the indicator is 16ft (Day time) to 33ft (Night time). Because the sunlight will impact the signal of the remote control, we suggest our users to setup the mode before they install the light.

1. On/Off

When off is selected, the light will stop working. The solar panel will not charge the battery and the battery will not supply electricity to the light.

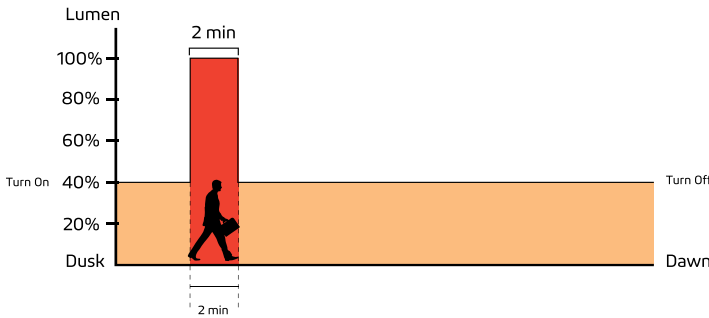
2. Connect/Test

Remote control device can be connected with any lighting fixture, one at a time. To connect, press the button once. It also functions as a test button. To test, press the "Test" button once, the red light will indicate the fixture is charging, green light indicates that the fixture is operating. Testing lasts for 10 seconds, and then it goes back to the mode previously in use.

REMOTE CONTROLS

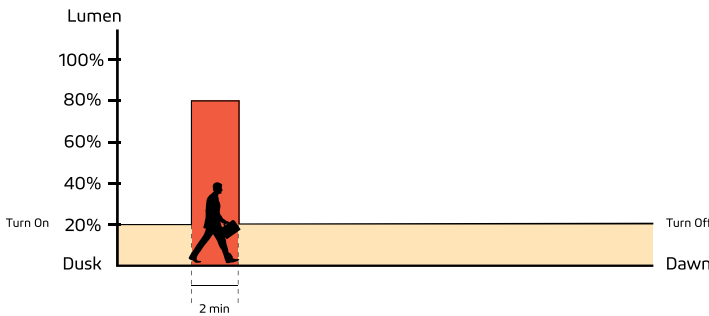
3. 40%-100% Motion Sensor Mode

Constant 40% brightness (turns on at dusk, turns off at dawn); 100% brightness turns on for 2 minutes when motion is detected.



4. 20%-80% Motion Sensor Mode (Default)

Constant 20% brightness (turns on at dusk, turns off at dawn); 80% brightness turns on for 2 minutes when motion is detected.



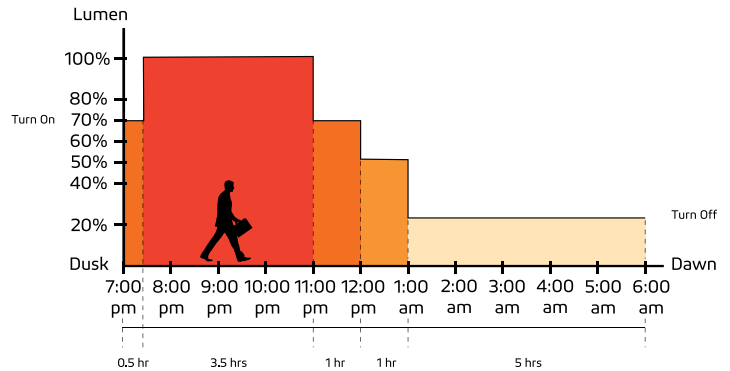
(IAP) Intelligent Adaptive Program Battery Control Technology

In order to extend the off-grid autonomy of the CEGONIA under shady trees, heavy rain, and thick clouds, our controllers now integrate an adaptive smart control feature to actively track battery capacity and adjust light output accordingly. Before integrating this feature, selecting a light output percentage on the remote would yield an accurate percentage of max LED brightness. Now with (IAP), the controller actively monitors the battery and regulates the electrical current to the LEDs. The controller makes light output of the selected percentage on the remote relative to battery capacity rather than max LED output. This smart-control feature can increase our off-grid performance by up to 40%.

CATALOG		COMMENTS
PROJECT		
PREPARED BY		
DATE		

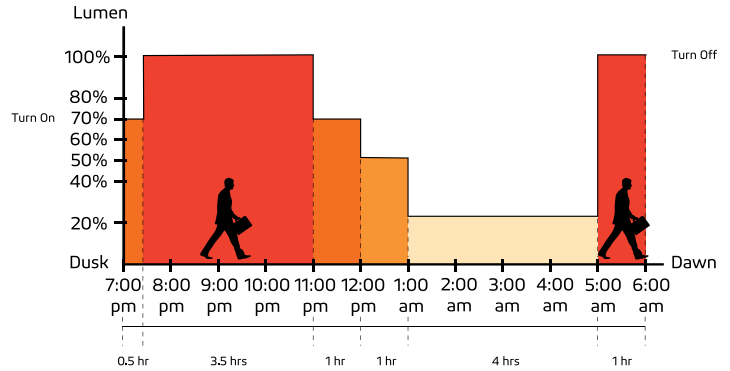
5. Night Owl Mode

Changes as natural light decreases/increases (turns on at dusk); 70% brightness for 0.5 hour, 100% brightness for 3.5 hours, 70% brightness for 1 hour, 50% brightness for 1 hour, 20% brightness for 5 hours (turns off at Dawn).



6. Early Bird Mode

Changes as natural light decreases/increases with increased brightness near dawn for early risers (turns on at dusk); 70% brightness for 0.5 hour, 100% brightness for 3.5 hours, 70% brightness for 1 hour, 50% brightness for 1 hour, 20% brightness for 4 hours, 100% brightness for 1 hour (turns off at Dawn).



Important

Dusk and dawn time may be different in other locations and seasons. The sensors of our products will follow the light patterns of where it is installed. The time period shown in the chart above is just an example to help you understand the different lighting modes only.



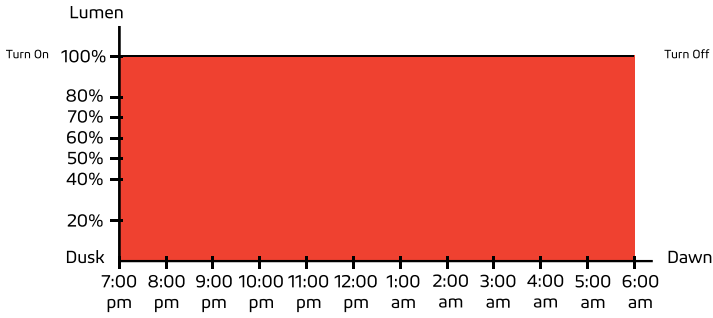
CEGONIA 8W 20W 30W

CATALOG		COMMENTS
PROJECT		
PREPARED BY		
DATE		

REMOTE CONTROLS

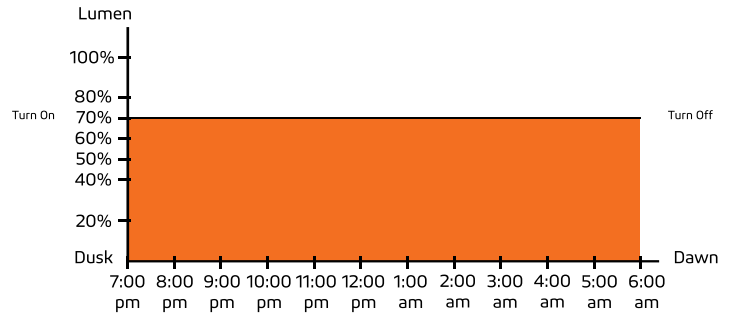
7. 100% Constant Mode

100% brightness from dusk to dawn.



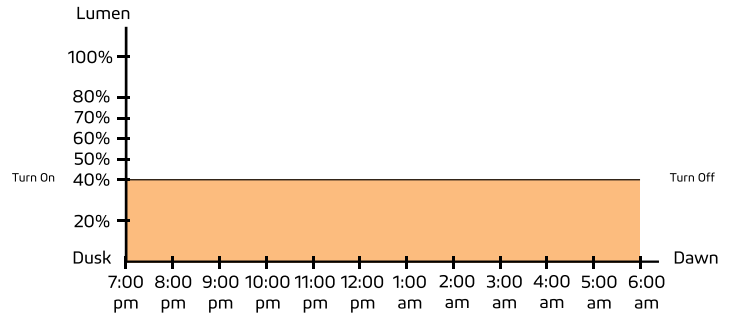
8. 70% Constant Mode

70% brightness from dusk to dawn.



9. 40% Constant Mode

40% brightness from dusk to dawn.



10. Timer Mode Disabled

Press this button to turn off Timer Mode; settings revert back to before Timer Mode was last activated.

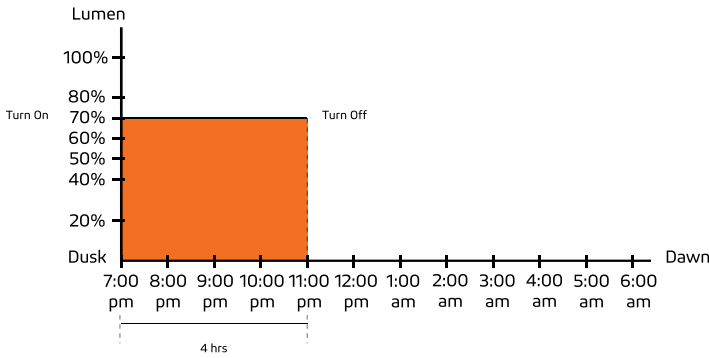


CEGONIA 8W 20W 30W

REMOTE CONTROLS

11. Timer Mode 4 Hours

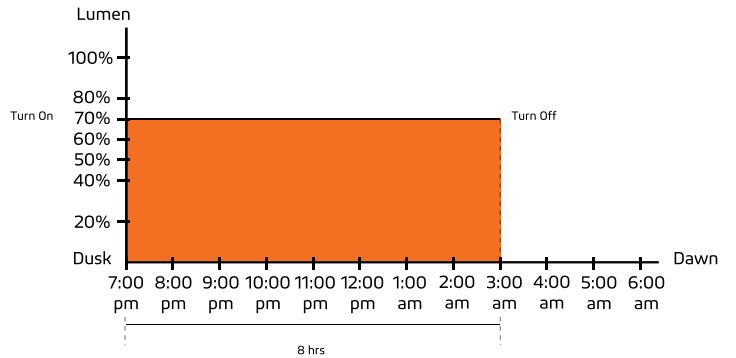
This is an additional mode which can work with any other modes. For example: press this button at any time after you turn on 70% Constant Mode. If the light turns on at 7pm at dusk, it will turn off at 11pm. It will repeat the same schedule hereafter until it is canceled by pressing Timer Mode Disabled.



CATALOG		COMMENTS
PROJECT		
PREPARED BY		
DATE		

12. Time Mode 8 Hours

This is an additional mode which can work with any other modes. For example: press this button at any time after you turn on 70% Constant Mode. If the light turns on at 7pm at dusk, it will turn off at 3am. It will repeat the same schedule hereafter until it is canceled by pressing Timer Mode Disabled.



Important

Dusk and dawn time can vary for different locations and seasons. The sensors in our products will monitor the light levels where it is installed. The time period shown in the chart above is just an example to help you understand the different lighting modes.



CEGONIA 8W 20W 30W

CATALOG		COMMENTS
PROJECT		
PREPARED BY		
DATE		

WARRANTY

CEGONIA products are covered by a 5 year limited warranty. CEGONIA urban light warrants to the original purchaser that this product is free from defects in materials and workmanship for the period of 5 years from date of purchase. To obtain warranty service please contact your local distributor or sales rep for further instruction.



1460 Park Avenue.
Emeryville, CA 94608 USA

www.soltechlighting.com

SOLTECH LLC reserves the right to update all product data sheets at any time. Consult SOLTECH marketing specialists for publication updates at hello@soltechlighting.com

*Copyright©2022-2023 SOLTECH LLC,
All Rights Reserved.*