



CEGONIA

PRO

**30W
Installation Manual**

SOLTECH Designs and Manufactures
Advanced, Solar-Powered
LED Technology.





CEGONIA PRO 30W

Contents

01 Introduction	04
02 Battery Notes	06
03 Installation and Wiring Compliance	08
04 Mounting Accessories	09
05 Installation	010
06 Panel Angle	012
07 Remote Control Guide	014

01 Introduction

Thank you for purchasing CEGONIA PRO solar-powered area light.

Introduction

CEGONIA PRO combine stylish design with high efficiency. You can adjust both the tilt angle and the azimuth to make sure the panel is in the optimal position to capture the sun's energy. It is a perfect fit for courtyards, parks, schools, communities and paths.

Important Considerations

In order to avoid deep discharge of the battery during storage, please fully recharge your battery every 4 months. Please make sure that the light is installed in an area with sufficient sunlight irradiance. A strict minimum of 3.5 hours/day of sunshine on average is recommended. Select the right operating mode according to local codes & regulations, and the local sunshine conditions. Keep it away from shadows. Self-cleaning occurs when the light fixture has a minimum angle of 15 degrees.

Please save these installation instructions. Read all of the instructions carefully before attempting to carry out any installation or wiring. Do not open or attempt to repair the product on your own, as it may cause serious damage and would void the product warranty. Contact your local distributor for any questions concerning the installation.

Range of the light module on the lighting fixture is 20–26 feet (6–8 meters). The ideal installation spacing is >16 feet (5 meters). When installing two or more lighting fixtures on one pole, select desired operating mode before installation. Interference can cause delay or malfunction when using the remote control to change operating modes after installation.

Range of the light module on the lighting fixture is 20–26 feet (6–8 meters). The ideal installation spacing is >16 feet (5 meters). When installing two or more lighting fixtures on one pole, select desired operating mode before installation. Interference can cause delay or malfunction when using the remote control to change operating modes after installation.

Precautions When Working With Solar Panels

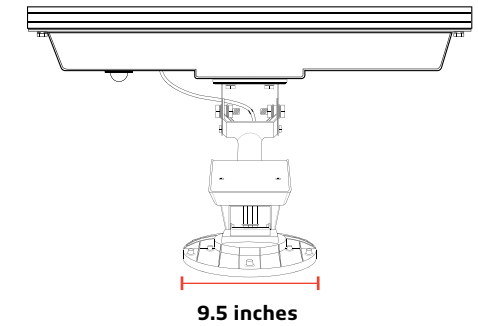
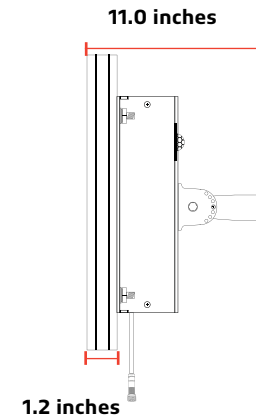
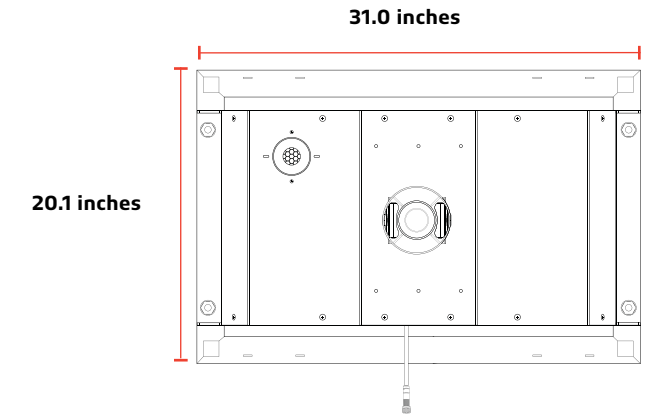
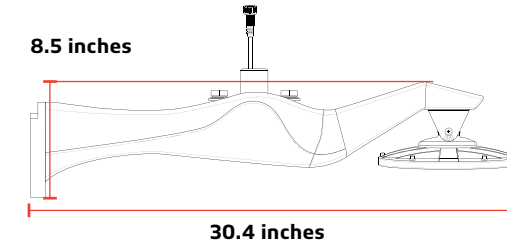
When the solar panel is exposed to light, a voltage appears at the output terminals of the solar panel turning it into a source of electricity. To avoid a shock hazard, make sure the solar panel is covered with an opaque (dark) covering such as paper or cloth, during the installation. Do not make contact with the terminals when the panel is exposed to sunlight or any other light source.

CEGONIA PRO 30W

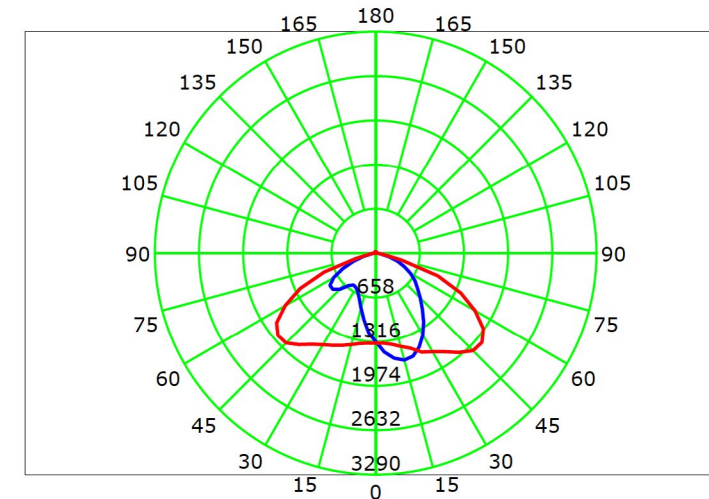
SOLAR PANEL: 9.9 Lbs

SOLAR LAMP: 13.6 Lbs

BATTERY ASSEMBLY: 25.9 Lbs



CEGONIA PRO 30W Type III



02 Battery Notes

1. Super Capacitor battery-powered CEGONIA PRO lights are visibly brighter than other outdoor solar lights, and their performance overall is more reliable.
2. To charge the battery fully may take up to 12 hours.
3. The rechargeable battery can work continuously for 10 hours at full power.
4. The output will be reduced to 40% when the battery is below 40% of its capacity.
5. The battery will stop charging when the ambient temperature is below -40°F or above 140°F.

Battery Status is indicated by the red/green indicator on the light fixture as follows:

- > Slow red light flashing (Every 2.5s) = Working
- > Slow red flashing (Every 5s)= Open circuit
- > Red light continuously on = Non-working
- > Quick red flashing (Every 0.5s)= Charge fault
- > Quick red flashing (Every 0.1s)= Over current or Short circuit

Storage

To avoid over discharge of the battery during storage, please recharge the lighting fixture every 3 months. Use the dedicated charger to charge, and then reset the switch when done.

(IAP) Intelligent Adaptive Program Battery Control Technology

In order to extend the off-grid autonomy of the CEGONIA PRO 30W under shade trees, heavy rain, and thick clouds, our controllers now integrate an adaptive smart control feature to actively track battery capacity and adjust light output accordingly. Before integrating this feature, selecting a light output percentage on the remote would yield an accurate percentage of max LED brightness. Activating the IAP, the controller actively monitors the battery and regulates the electrical current to the LEDs. The controller makes the light output of a selected percentage on the remote relative to battery capacity rather than max LED output. This smart-control feature can increase the fixture's off-grid performance by up to 40%.

ATTENTION


Battery cannot be replaced on your own. Please contact SOLTECH for any battery's questions.

After connecting the wires between solar panel and the light, CEGONIA PRO 30W will automatically turn on, and the indicator will begin flashing every 2.5 seconds. The light fixture will then turn on for 1 minute and then shut off again. This means the fixture is switching from open circuit mode to standard working mode.

If you wish to shut off the light, you must first cover the solar panel. Then press the off button on the remote. You can also just press the off button to turn off the light at night. When the solar panel detects light, the fixture will activate and resume normal operation again.

03 Installation and Wiring Compliance

1. Installation and wiring must comply with the State and National Electrical Codes.
2. The CEGONIA PRO 30W model is intended for outdoor use only and should not be installed in an unventilated area. It must be installed in an environment within the operating temperatures defined for the product.
3. The average sunshine in the installation area should be above 3.5 hours/day in order to ensure full function of the light fixture. Avoid areas with shades.

4. Before installation, if applicable, ensure the light pole and its foundation are solid enough to support the light fixture(s).
5. Before installation, ensure that the battery is fully charged. Install during sunny days if possible.
6. Before installation, press the  ON/OFF key in the remote control and check whether it shows a red light on the indicator. Cover the panel and check if the light module turns on normally within 1 minute.

After Installation

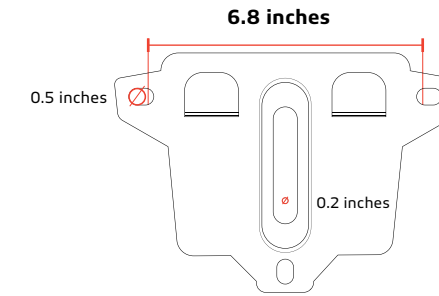
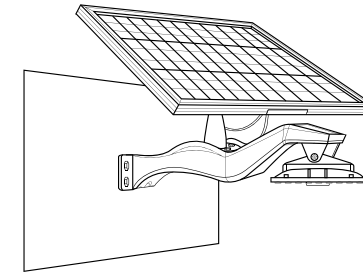
The light fixture will automatically turn on at night and turn off during daylight.

Important Considerations

Orient the solar panel facing the equator (e.g. facing south if in northern hemisphere).
 Have a tilt angle of at least 15° to avoid dust accumulation (0°=horizontal plane).

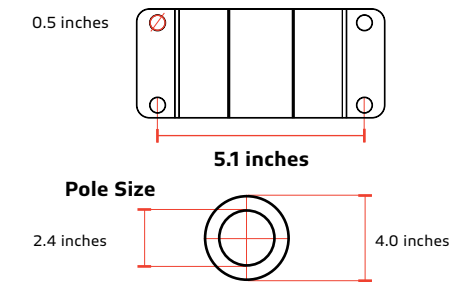
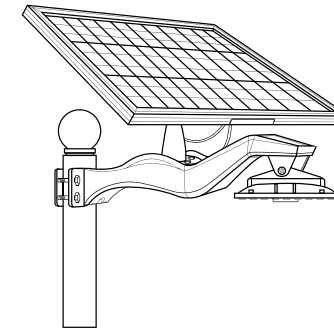
04 Mounting Accessories

A. TRUNNION—Wall Mount



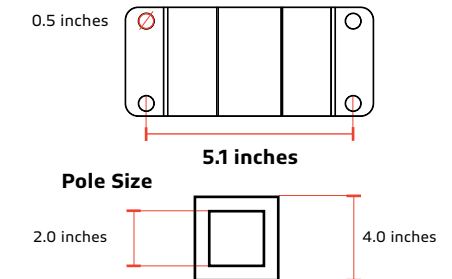
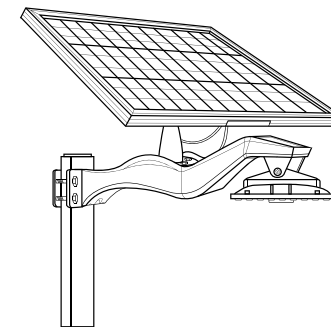
A-b. STLSTEPRO-30-WM (for CEGONIA PRO 30W)

B. TRUNNION—Round



B-b. STLSTEPRO-30-TRR (for CEGONIA PRO 30W) works with 2.4 inches to 4.0 inches poles.

C. TRUNNION—Square

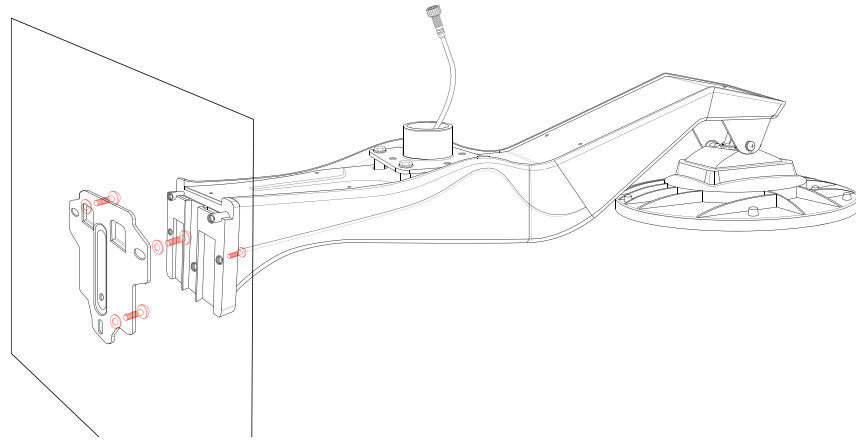


C-b. STLSTEPRO-30-TRS (for CEGONIA PRO 30W) works with 2.0 inches to 4.0 inches poles.

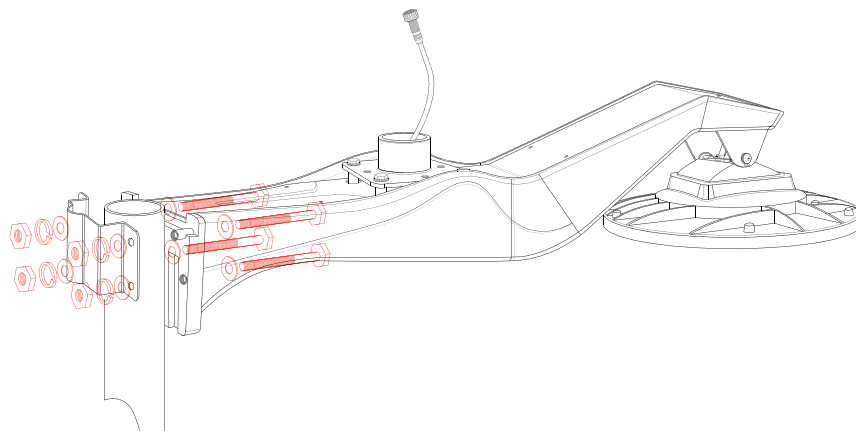
05 Installation

CEGONIA PRO 30W

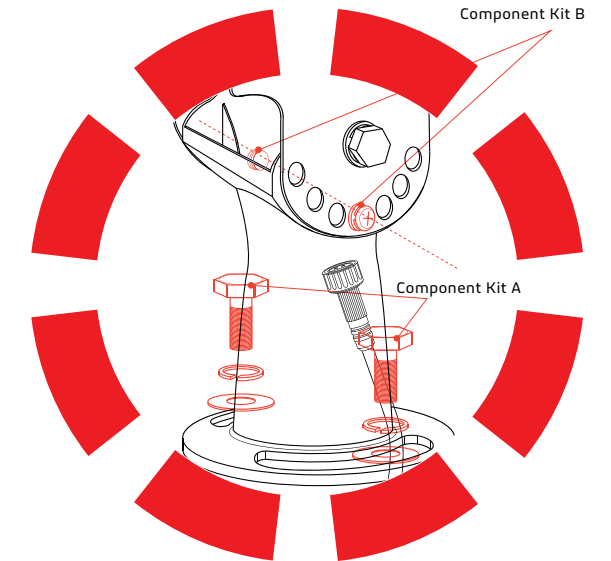
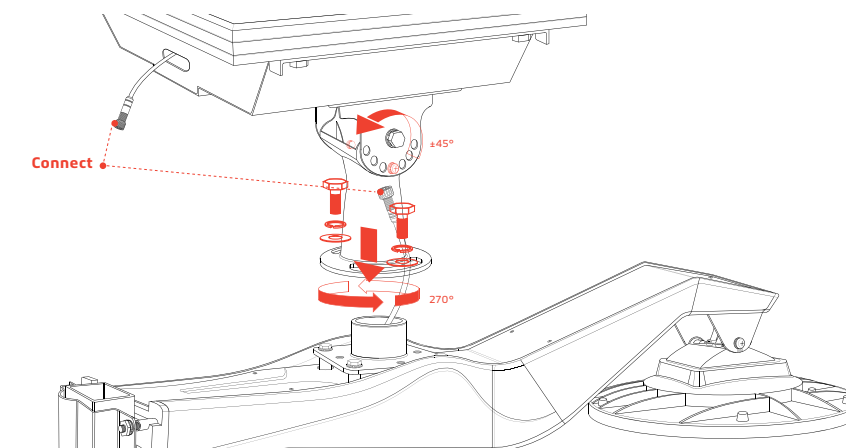
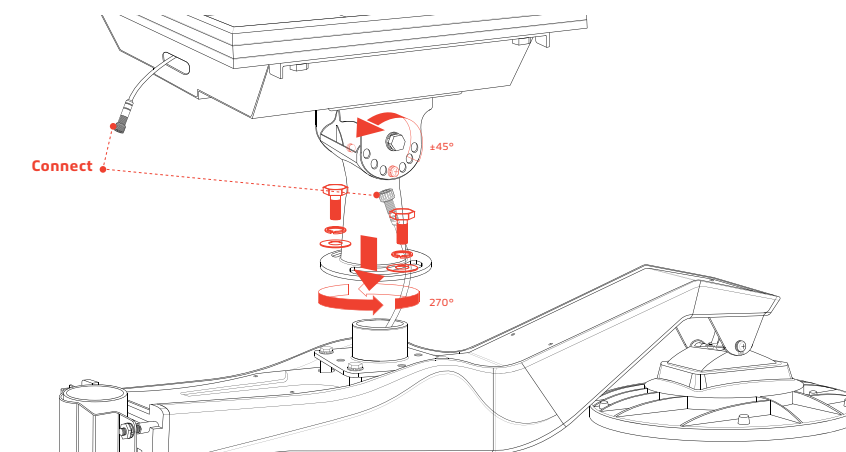
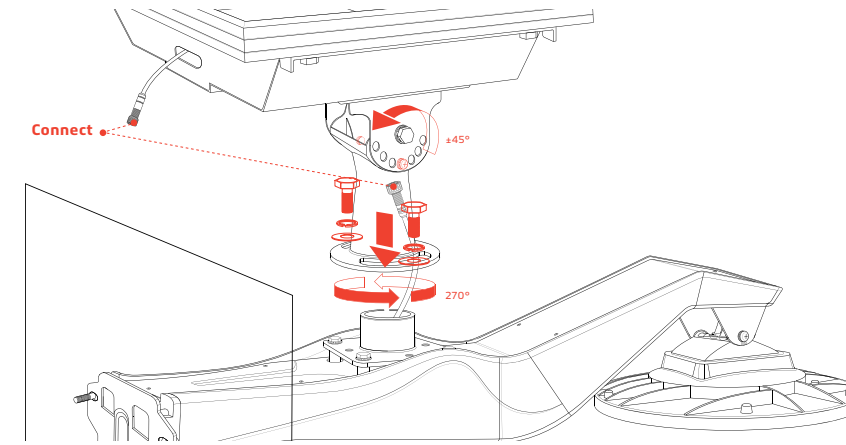
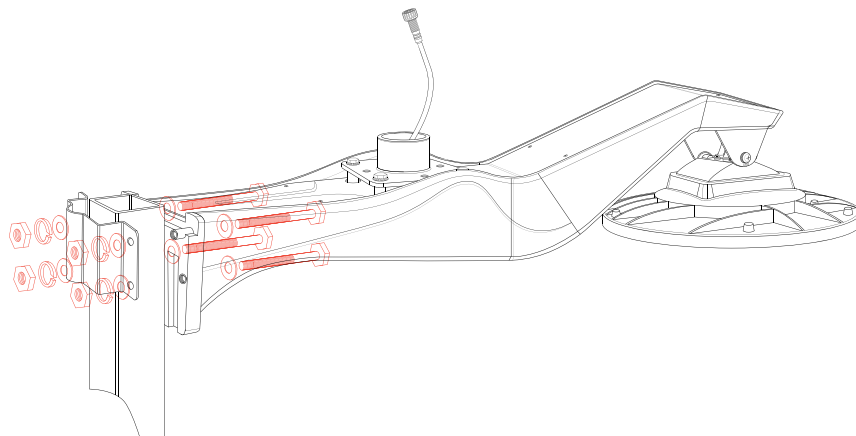
TRUNNION —Wall Mount



TRUNNION —Round



TRUNNION —Square



Loose screws of component kit B to adjust the angle of solar panel.

Loose screws of component kit A to rotate solar panel.

06 Panel Angle

The solar charge in a battery pack won't last forever. The off-grid system relies on stored solar energy for autonomy. Angling your solar panels properly can boost the power intake of your solar lighting system. You want to angle your solar panels at a tilt based on the area's latitude.

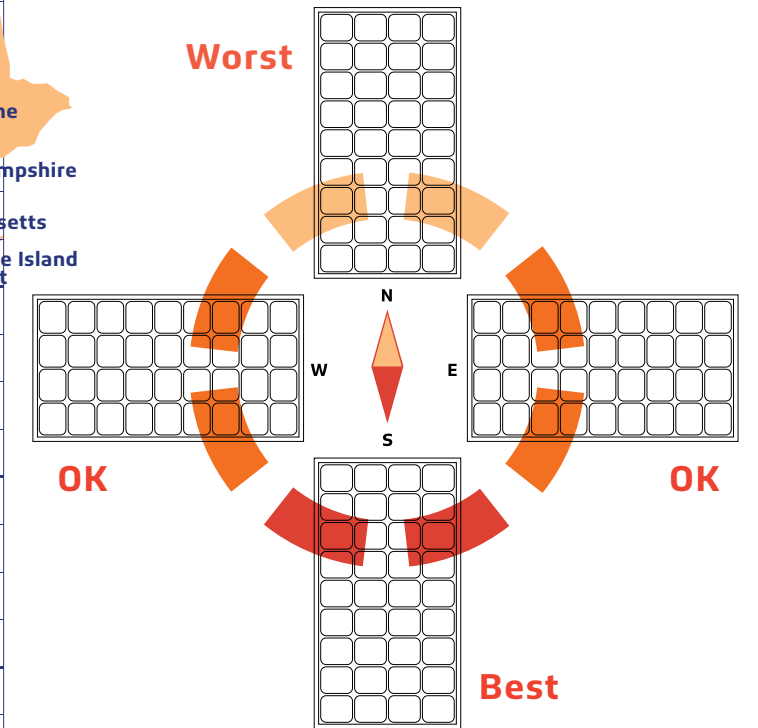
Tip

You can increase the tilt 15° in the winter or decrease 15° in the summer. In this way you can get the maximum sunlight to recharge the battery.

Key



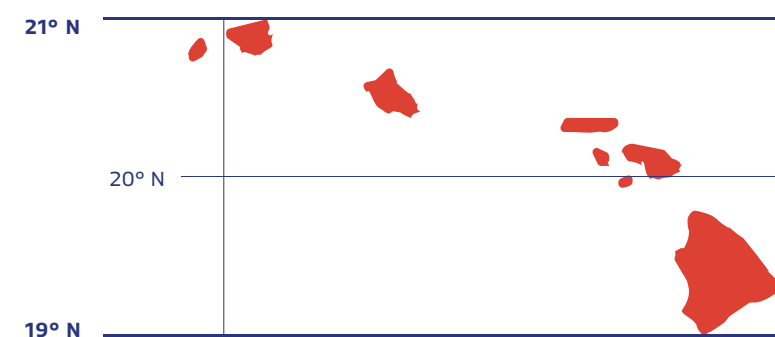
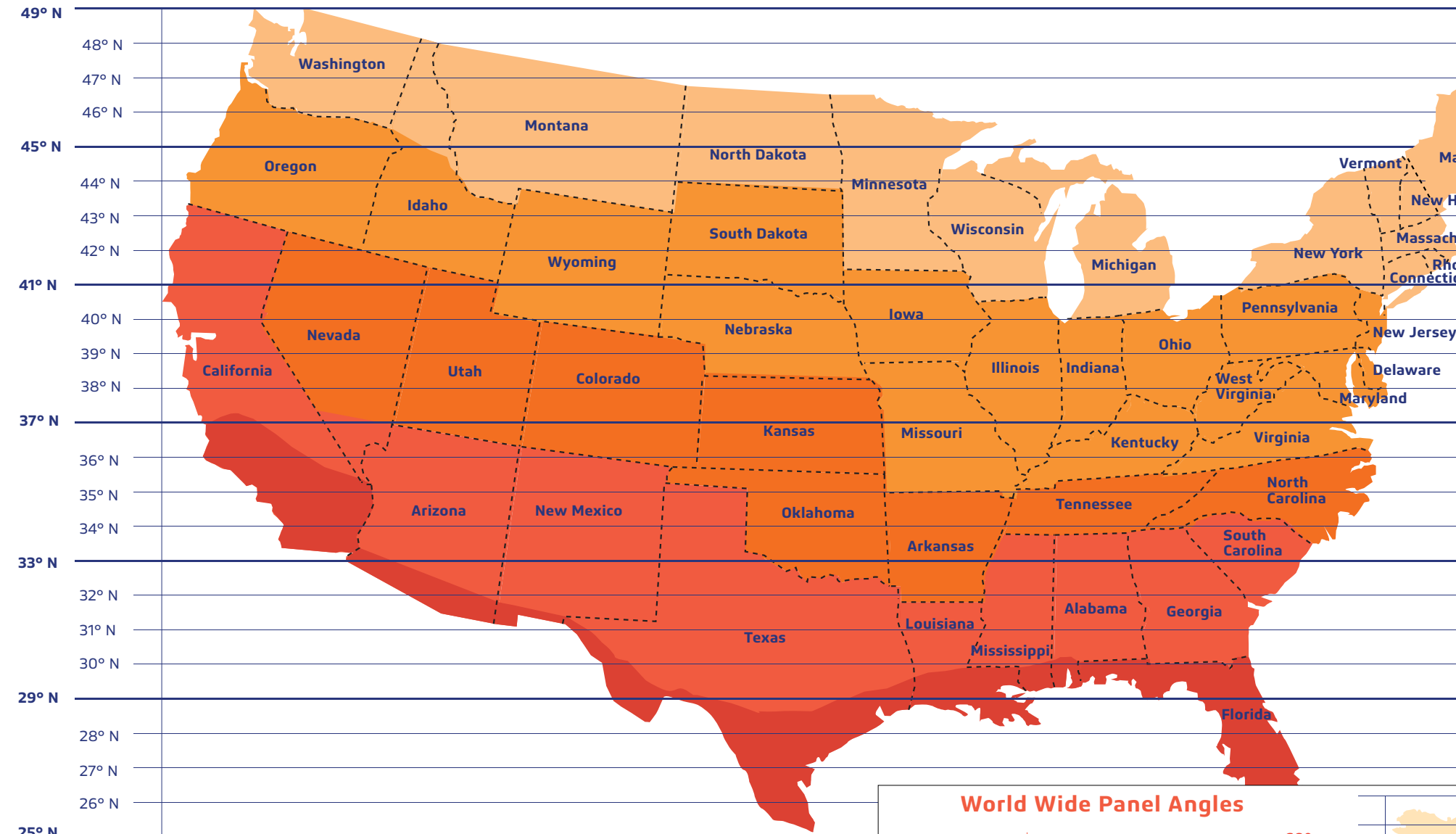
Best Facing Direction of Solar Panel



The area will dictate the installation of the fixtures and will sometimes prevent the lights from facing south. But that's okay! Panels facing West & East won't get as much light as Southern facing panels, but will still collect a good amount of sunlight. A North facing panel also works, but it will take longer to charge than any other direction. This would mean that the solar charge will be less optimal if installations are facing North.

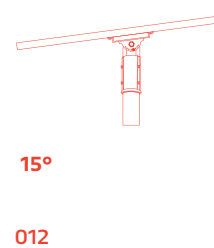
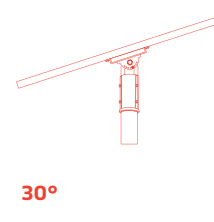
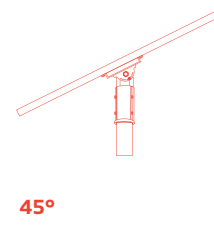
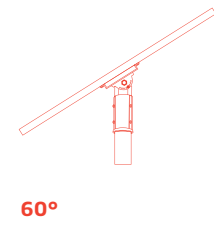
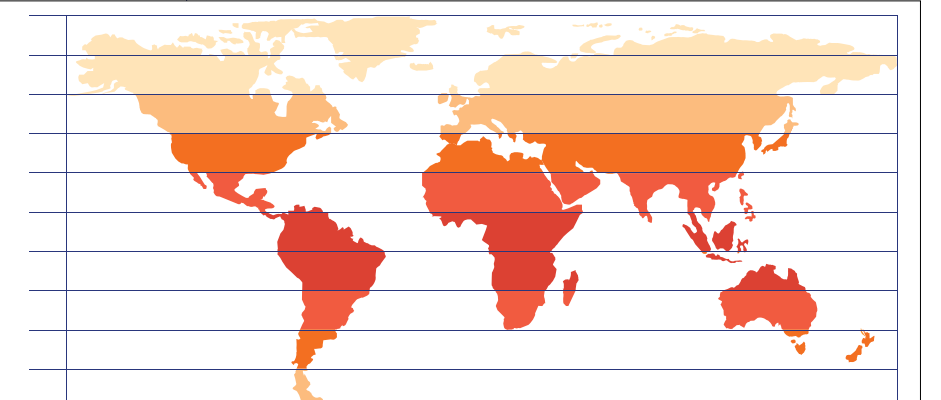
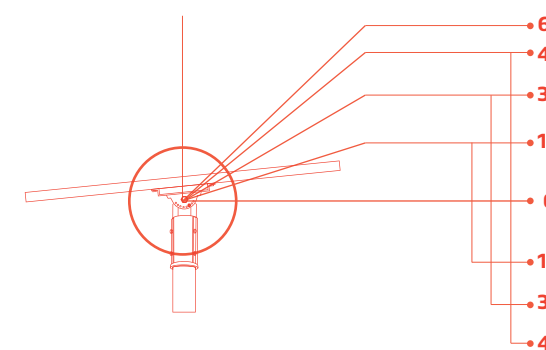


Alaska

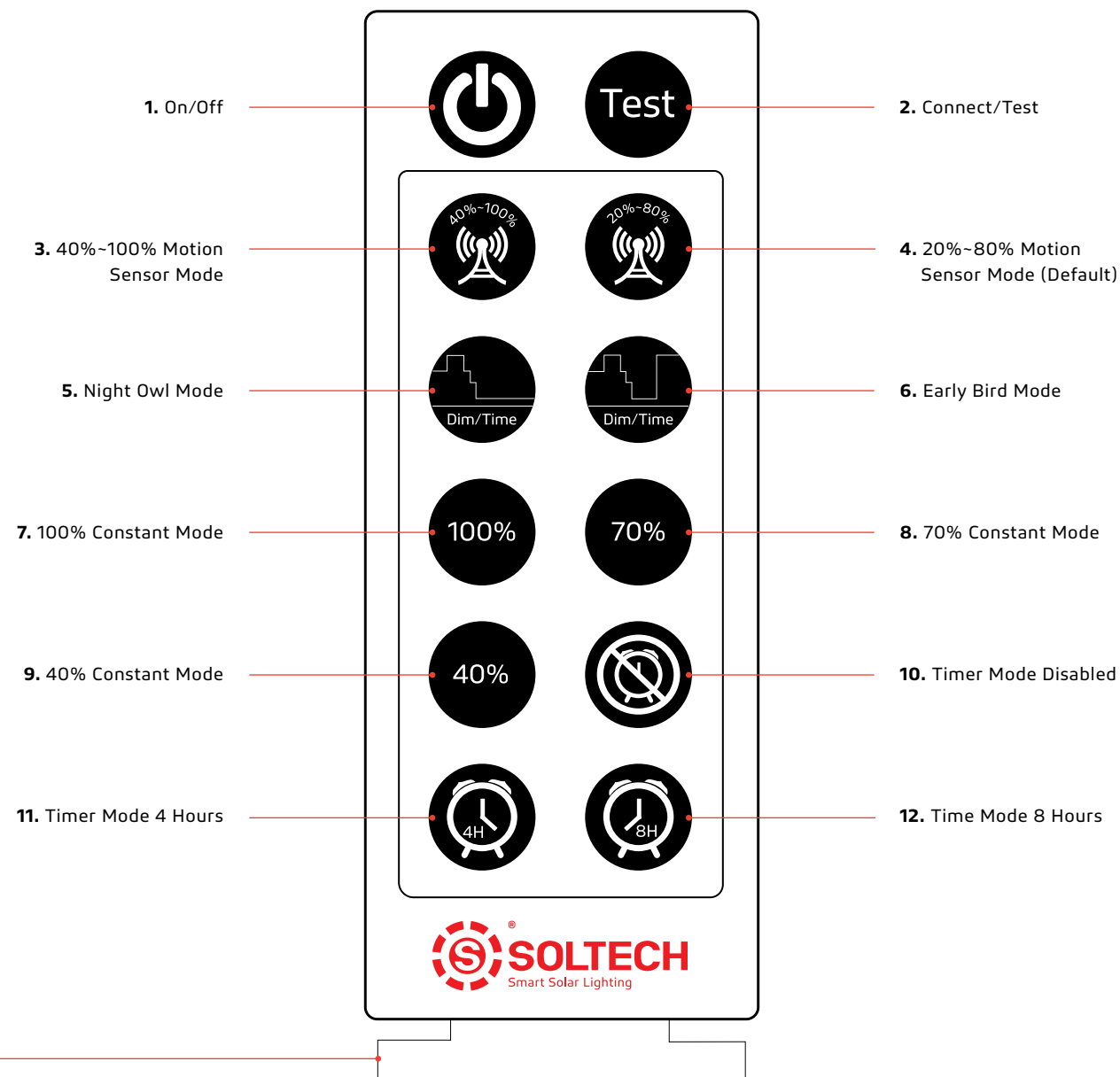


Hawaii

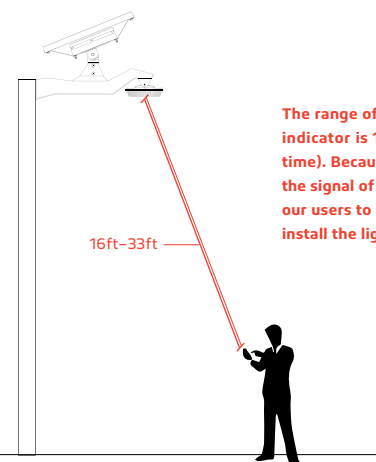
World Wide Panel Angles



07 Remote Control Guide



When using the remote for the first time, please remove the plastic piece at the bottom to make the remote turn on.

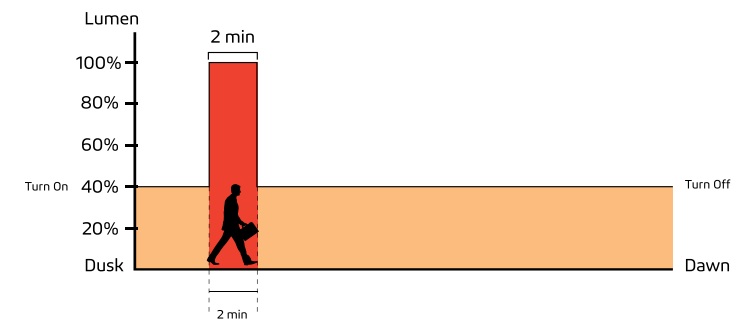


The range of the remote control to the indicator is 16ft (Day time) to 33ft (Night time). Because the sunlight will impact the signal of the remote control, we suggest our users to setup the mode before they install the light.

- 1. On/Off**
When off is selected, the light will stop working. The solar panel will not charge the battery and the battery will not supply electricity to the light.
- 2. Connect/Test**
Remote control device can be connected with any lighting fixture. When all cables are connected and solar panel detects sunlight, the fixture will automatically turn on. To test, press the "Test" button once, the LED light will turn on to indicate the fixture has been turned on. During the day time, the indicator will slowly flashing red. That means the battery is charging.

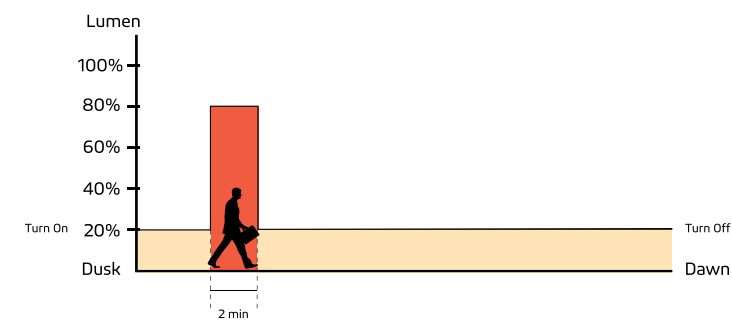
3. 40%-100% Motion Sensor Mode

Constant 40% brightness (turns on at dusk, turns off at dawn); 100% brightness turns on for 2 minutes when motion is detected.



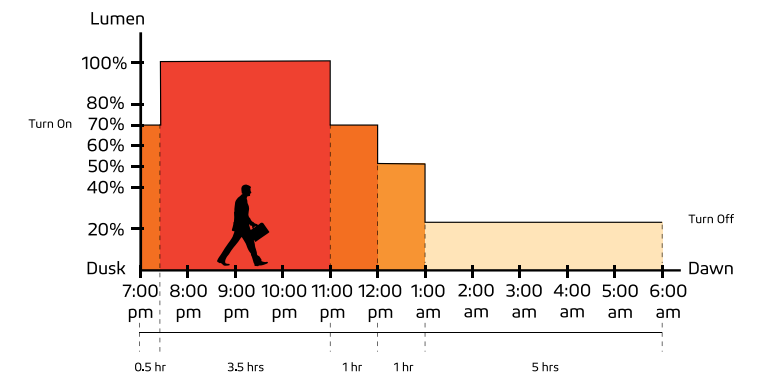
4. 20%-80% Motion Sensor Mode (Default)

Constant 20% brightness (turns on at dusk, turns off at dawn); 80% brightness turns on for 2 minutes when motion is detected.



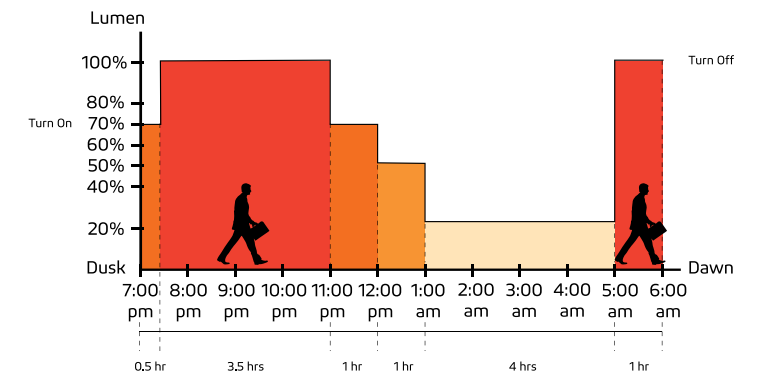
5. Night Owl Mode

Changes as natural light decreases/increases (turns on at dusk); 70% brightness for 0.5 hour, 100% brightness for 3.5 hours, 70% brightness for 1 hour, 50% brightness for 1 hour, 20% brightness for 5 hours (turns off at Dawn).



6. Early Bird Mode

Changes as natural light decreases/increases with increased brightness near dawn for early risers (turns on at dusk); 70% brightness for 0.5 hour, 100% brightness for 3.5 hours, 70% brightness for 1 hour, 50% brightness for 1 hour, 20% brightness for 4 hours, 100% brightness for 1 hour (turns off at Dawn).



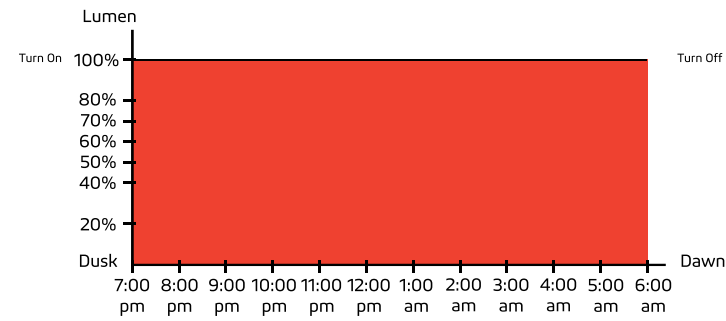
Important

Dusk and dawn time may be different in other locations and seasons. The sensors of our products will follow the light patterns of where it is installed. The time period shown in the chart above is just an example to help you understand the different lighting modes only.

07 Remote Control Guide

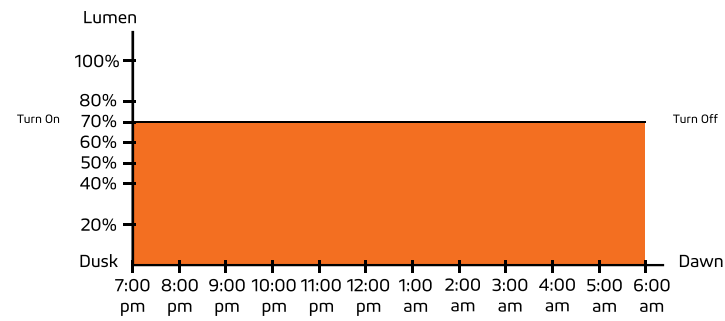
7. 100% Constant Mode

100% brightness from dusk to dawn.



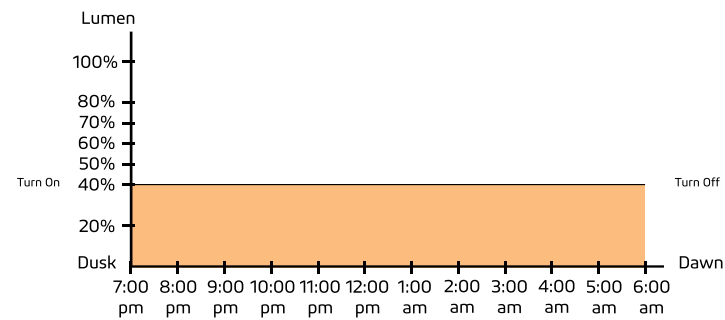
8. 70% Constant Mode

70% brightness from dusk to dawn.



9. 40% Constant Mode

40% brightness from dusk to dawn.

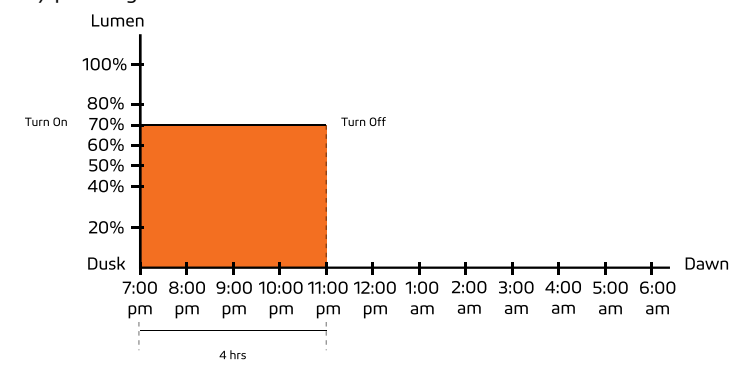


10. Timer Mode Disabled

Press this button to turn off Timer Mode; settings revert back to before Timer Mode was last activated.

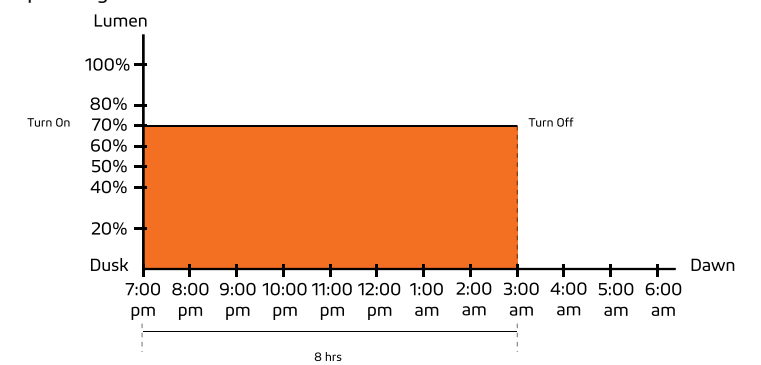
11. Timer Mode 4 Hours

This is an additional mode which can work with any other modes. For example: press this button at any time after you turn on 70% Constant Mode. If the light turns on at 7pm at dusk, it will turn off at 11pm. It will repeat the same schedule hereafter until it is canceled by pressing Timer Mode Disabled.



12. Time Mode 8 Hours

This is an additional mode which can work with any other modes. For example: press this button at any time after you turn on 70% Constant Mode. If the light turns on at 7pm at dusk, it will turn off at 3am. It will repeat the same schedule hereafter until it is canceled by pressing Timer Mode Disabled.



(IAP) Intelligent Adaptive Program Battery Control Technology

In order to extend the off-grid autonomy of the CEGONIA PRO 30W under shade trees, heavy rain, and thick clouds, our controllers now integrate an adaptive smart control feature to actively track battery capacity and adjust light output accordingly. Before integrating this feature, selecting a light output percentage on the remote would yield an accurate percentage of max LED brightness. Activating the IAP, the controller actively monitors the battery and regulates the electrical current to the LEDs. The controller makes the light output of a selected percentage on the remote relative to battery capacity rather than max LED output. This smart-control feature can increase the fixture's off-grid performance by up to 40%.

Important

Dusk and dawn time can vary for different locations and seasons. The sensors in our products will monitor the light levels where it is installed. The time period shown in the chart above is just an example to help you understand the different lighting modes.

CEGONIA PRO products are covered by a 5 year limited warranty. SOLTECH urban light warrants to the original purchaser that this product is free from defects in materials and workmanship for the period of 5 years from date of purchase. To obtain warranty service please contact your local distributor or sales rep for further instruction.



1460 Park Avenue.
Emeryville, CA 94608 USA

www.soltechlighting.com

SOLTECH LLC reserves the right to update all product data sheets at any time. Consult SOLTECH marketing specialists for publication updates at hello@soltechlighting.com

*Copyright©2022-2023 SOLTECH LLC,
All Rights Reserved.*

**SOLTECH Designs
and Manufactures
Advanced,
Solar-Powered
LED Technology.**