

IMPORTANT SAFEGUARDS

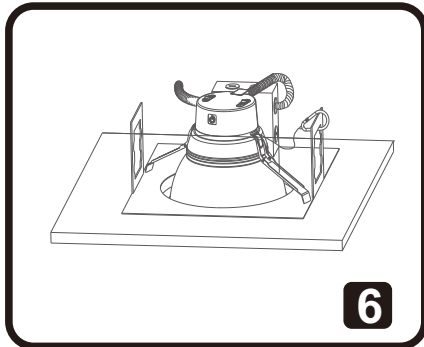
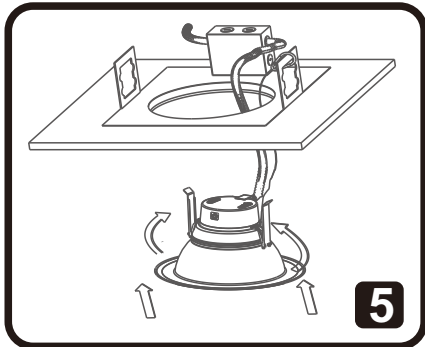
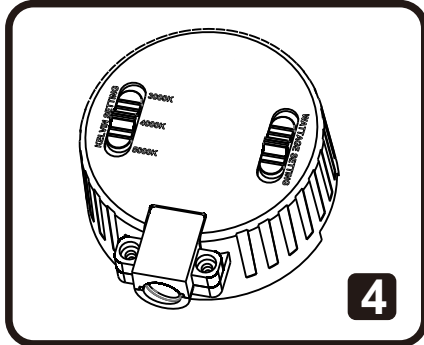
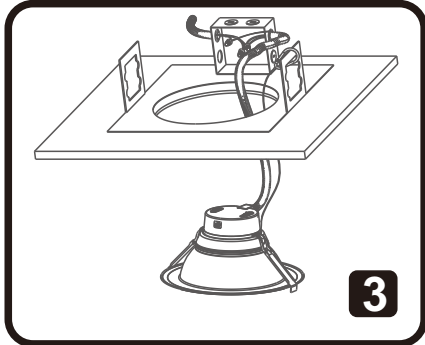
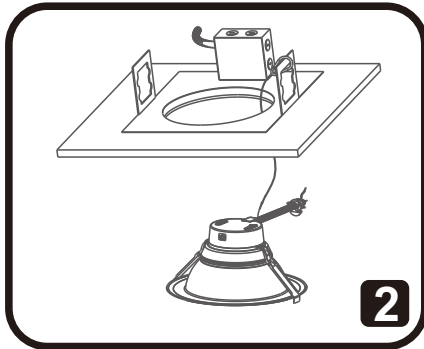
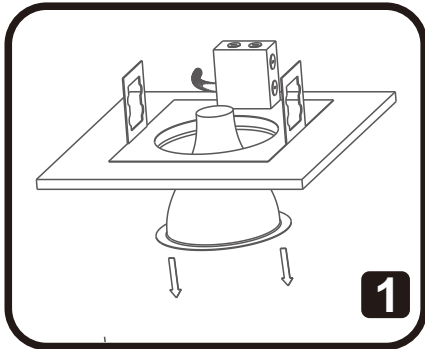
When using electrical equipment, basic safety precautions should always be followed including the following:

READ AND FOLLOW ALL SAFETY INSTRUCTIONS

1. To reduce the risk of electrical shock, turn off power supply before installation or servicing.
2. This luminaire must be installed in accordance with the NEC or your local electrical code. If you are not familiar with these codes and requirements, consult a qualified electrician.
3. Risk of fire or electric shock. Install this kit only in the luminaires that have the construction features and dimensions shown in the photographs and/or drawings.
4. To prevent wiring damage or abrasion, do not expose wiring to edges of sheet metal or other sharp objects.
5. The recessed luminaire is intended for mounting only in a covered ceiling where only the led side of the luminaire will be exposed to dry, damp or wet locations.



RETROFIT INSTALLATION



LINE	<input type="checkbox"/>	BLACK	<input type="checkbox"/>
COMMON	<input type="checkbox"/>	WHITE	<input type="checkbox"/>
GROUND	<input type="checkbox"/>	GREEN	<input type="checkbox"/>
DIM+	<input type="checkbox"/>	PURPLE	<input type="checkbox"/>
DIM-	<input type="checkbox"/>	GRAY	<input type="checkbox"/>

STEP 1:

Make sure the POWER IS TURNED OFF at the source to the recessed housing in which you are installing the product.

STEP 2(Fig 1):

If existing lamp and trim are present, remove from ceiling or move it out of the way as it will not be needed during installation. Measure the ceiling opening to make sure the edge of the luminaire will cover the entire hole and still sit firmly in the ceiling before proceeding.

STEP 3(Fig2):

Attach the carabiner safety clip to the existing fixture housing.

STEP 4 (Fig3/Fig7):

Remove junction box faceplate. Disconnect all wires to the ballast and remove ballast from J-Box. Remove appropriate round knock out and attach the fixture conduit whip into knock out. Connect incoming power (White to White, Black to Black, Green to Green/Ground). For 0-10V dimming circuits, connect Gray to Gray and Purple to Purple. Reattach J-Box faceplate.

STEP 5(Fig 4):

Adjust the fixture power to desired lumen output by sliding the selector switch. Adjust the color temperature to desired one, by sliding the other selector switch. Make sure the switch is never in between positions.

STEP 6(Fig 5):

Squeeze the two spring clips so they are in an upright position and insert lamp into housing.

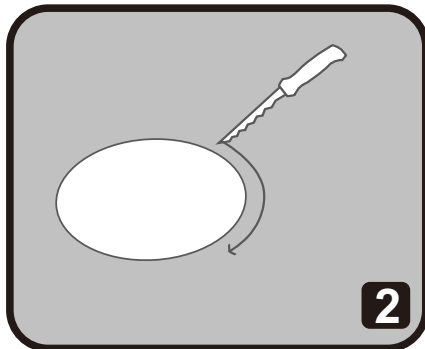
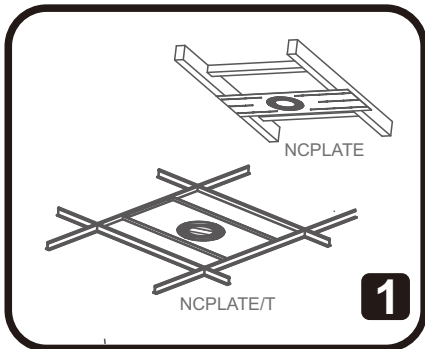
STEP 7(Fig 6):

Once fixture is inside the housing, release the spring clips and continue pushing fixture until securely fixed and flush with ceiling.

STEP 8:

Restore power at the source and the installation is complete.

NEW CONSTRUCTION INSTALLATION



STEP 1:

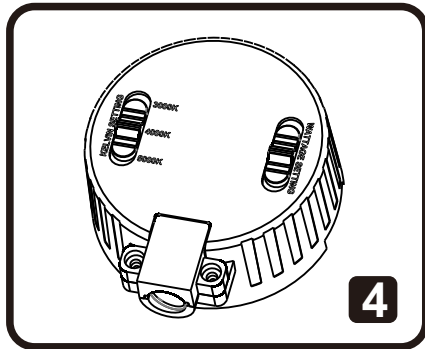
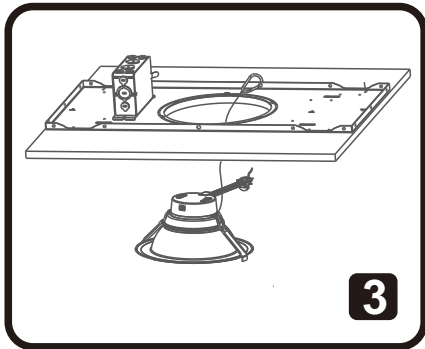
Make sure the POWER IS TURNED OFF at the source to the recessed housing in which you are installing the product.

STEP 2 (Fig 1):

If using a new Construction Plate, install it in the ceiling following its own installation instruction.

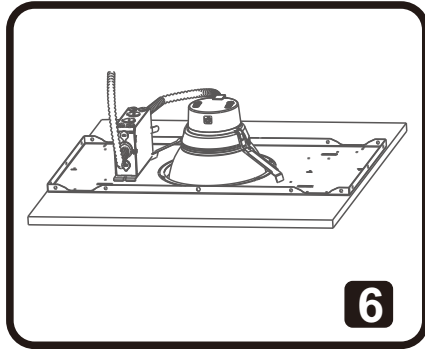
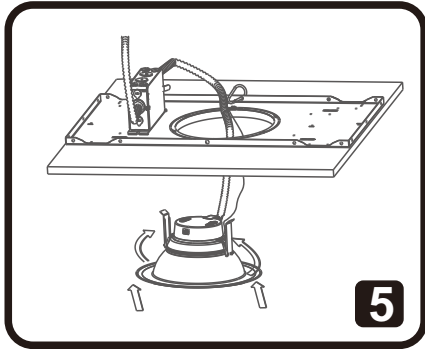
STEP 3 (Fig2):

If a new hole is needed, use a hole cutter, and set the diameter to 6-5/32" (156mm) for the D846, 8" (203mm) for the D848 or cut along the edge of the new construction plate prepared for the desired size.



STEP 4 (Fig3/Fig7):

Attach the carabiner safety clip to a secure place inside the ceiling. Insert lamp conduit into a preinstalled J-box (not provided) and wire to the power source (black to hot, white to neutral, green to ground). For 0-10V dimming circuits, connect gray to gray and purple to purple. Close the J-box securely.



STEP 5 (Fig 4):

Adjust the fixture power to desired lumen output by sliding the selector switch. Adjust the color temperature to desired one, by sliding the other selector switch. Make sure the switch is never in between positions.

STEP 6 (Fig 5):

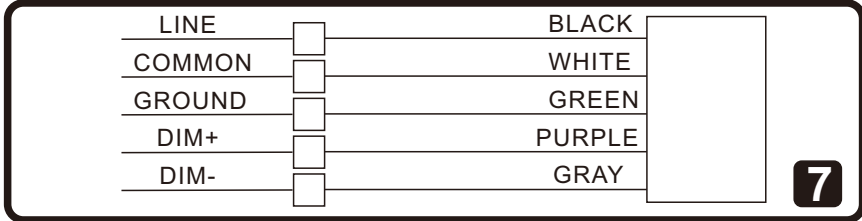
Squeeze the two spring clips so they are in an upright position and insert lamp into housing.

STEP 7 (Fig 6):

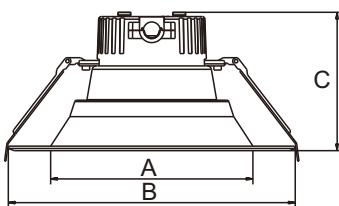
Once fixture is inside the housing, release the spring clips and continue pushing fixture until securely fixed and flush with ceiling.

STEP 8:

Restore power at the source and the installation is complete.



COMMERCIAL DOWNLIGHT HOUSING COMPATIBILITY



Model	A	B	C
6"	5.9" 150mm	8.2"(209mm)	4.0"(101mm)
8"	7.3"(186mm)	10.2"(260mm)	4.4"(112mm)

- 6" is compatible with most standard housing with aperture ranging from 6"-7.5" (153-190mm).
- 8" is compatible with most standard housing with aperture ranging from 7.6"-9.5" (195-240mm).