



PROJECT NAME

CATALOG NO.

TYPE

DATE

NOTE

## LED CURVED-BASKET LINEAR WRAP LUMINAIRE

**CBW Series**  
Curved-Basket Linear Wrap

### DESCRIPTION

The Alphalite CBW Series Linear Wrap Luminaire provides high light levels for commercial, industrial, retail and residential applications. Fixtures can be used in storage/utility areas, coves, display cases, shops, task and general area lighting. Low profile design offers easy handling and storage.

### APPLICATION

Versatile solution for general illumination from surface-mounted fixture. Ideal for corridors, hallways, stairwells, closets, storage rooms, and spaces that demand energy demand reduction and high quality light.

### SPECIFICATION FEATURES

#### Benefits

- Lower installation costs
- Attractive ROI
- Ideal for use with sensors and advanced controls
- Reduced maintenance costs
- Lower energy costs
- High quality light for a more productive space
- Convenient access to replaceable, standard components reduces life cycle costs

#### Construction

Reflector utilizes highly reflective powder coat finish. Diffuser requires no additional frame or fastener for easy installation. Tool-less removal of diffuser allows access to LED array. LED module and driver are replaceable. Housing and optics maintain damp location rating with all internal components.

#### Finish

Highly reflective finish. Baked white paint, applied after fabrication.



#### Electrical

Luminaire utilizes long life, high efficacy LEDs and a highly efficient, reliable LED driver. 120V-277V input voltage for increased versatility. 0-10V continuous dimming comes standard. Ideal when used in conjunction with controls and sensors. Comes equipped with quick disconnect for compliance with US code.

#### Optics

The LED light engine and integrated optics delivers enhanced light quality and distribution. Precision-formed diffuser and reflector are designed LED light consistently, reducing glare and pixelation.

#### Certifications / Regulatory

UL/cUL listed. All components used have UL approval. UL Class 2. Power supply: SCP, OTP, OVP protection, FCC Part 15 Class B, UL8750 Class 2. DLC Premium listed.

#### Warranty

7-year limited warranty. See complete warranty terms for details.

### Quick Ship Product

**CBW-4L(40S)/835**  
**CBW-4L(40S)/840**

## ORDERING INFORMATION

Sample Number: **CBW-4L(40S)/840**

CBW	4	L	8	40	(Blank)	(Blank)
<b>Series</b>	<b>Form Factor</b>	<b>Lumen Package</b>	<b>CRI</b>	<b>CCT</b>	<b>Input Voltage</b>	<b>Dimming</b>
CBW - Curved Basket Linear Wraps Luminaire	4 - 4'	L - Low Wattage *See energy data for details	8 - 83+ CRI	35 - 3500K 40 - 4000K 50 - 5000K	(Blank) - 120V-277V	(Blank) - 0-10V Continuous Dimming

### Options

#### Controls

- MMS** - Integrated step dimming microwave motion sensor with sync function
- OS** - Integrated step dimming PIR occupancy sensor (Requires OS-618-RC101 Sensor Configuration Tool, Not Included)
- DL** - Integrated daylight harvesting
- SMC** - Smart Control System

#### Emergency Backup

- EM700 - 700lm
- EM1400 - 1400lm
- EM2000 - 2000lm

SUMMARY

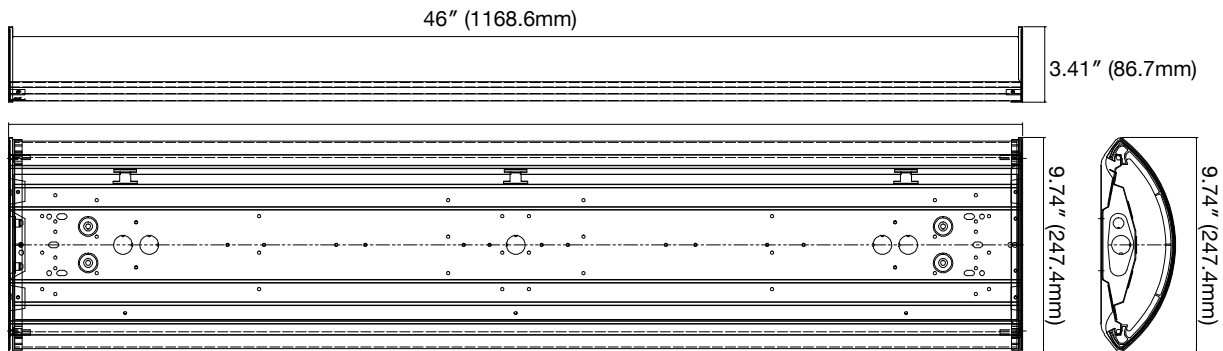
Input Voltage	120V-277V
Input Power	See energy data for details
Power Factor	> 0.95
THD (Max.)	20%
Efficacy	> 127 LPW
Delivered Lumens	See energy data for details
Controls/ Dimming	Full Range 0-10V dimming standard
Dimming Range	0-10V Continuous (10-100%)
CRI	> 83
CCT	3500K, 4000K, 5000K
Operating Temp.	-20 ~ +55 C
Rated Life	70,000 hours

ENERGY PERFORMANCE DATA

Form Factor	Part No.	Rated Wattage (W)	Tested Wattage (W)	Delivered Lumens (lm)	Efficacy (lm/W)
4'	CBW-4L(40S)/835	40	38	4771	127
	CBW-4L(40S)/840			5200	130
	CBW-4L(40S)/850			5240	131

PHYSICAL PARAMETERS

DIMENSION



**-MMS control pre-commissioning**

**Sample Number: -MMS (10-3M-L3-S10M)**

10	3M	L3	S10M	(Blank)
<b>Detection Area</b> 10 - 100% 7 - 75% 5 - 50% 1 - 10%	<b>Hold Time</b> 30M - 30 min. 20M - 20 min. 3M - 3 min. 5S - 5 sec.	<b>Low Mode</b> L5 - 50% L3 - 30% L2 - 20% L1 - 10%	<b>Stand-by Period</b> SN - ∞ S1H - 1 hr. S30M - 30 min. S10M - 10 min. S5M - 5 min. S5S - 5 sec. (Blank) - Disable	<b>Daylight Sensor</b> (Blank) - Disable D100 - 100 lux D50 - 50 lux D25 - 25 lux D10 - 10 lux D5 - 5 lux D2 - 2 lux
<p><b>Detection Area:</b> Detection area can be reduced to fit precisely each application.</p> <p><b>Hold Time:</b> The time period the luminaire remains at 100% illumination after no motion detected.</p> <p><b>Low Mode:</b> The selected low light level after the hold time.</p> <p><b>Stand-by Period:</b> The time period the luminaire remains at "Low Mode" before it completely switched off in the long absence of people. When set to "∞" mode, the low light level is maintained until motion is detected.</p> <p><b>Daylight Sensor:</b> The sensor can be set to only allow the luminaire to illuminate below a defined ambient brightness threshold. When set to "Disable" mode, the daylight sensor will switch on the luminaire when motion is detected regardless of ambient light level.</p> <p>**Noted that daylight sensor is active only when the luminaire switches off**</p>				

**-OS control pre-commissioning**

**Sample Number: -OS (L2-5M-L3-S10M)**

L2	(Blank)	5M	L3	S10M	(Blank)	(Blank)	(Blank)
<b>Lens / Coverage</b> L2 - 8'H (48' dia.) L3 - 20'H (40' dia.) L4 - 40'H (60' dia.) L7 - 40'H (100' dia.)	<b>High Mode</b> (Blank) - 100% H9 - 90% H8 - 80% H7 - 70%	<b>Hold Time</b> #M - 1-30 min. 30S - 30 sec.	<b>Low Mode</b> L5 - 50% L3 - 30% L2 - 20% L1 - 10%	<b>Stand-by Period</b> SN - ∞ S#H - 1-5 hrs. S#M - 1-59 min. (Blank) - Disable	<b>Ramp Up</b> (Blank) - Disable #Up - 1-60 sec.	<b>Fade Down</b> (Blank) - Disable #Dn - 1-60 sec.	<b>Photocell On/Off</b> (Blank) - Disable PS - Active
<p><b>High Mode:</b> The selected high light level when motion detected.</p> <p><b>Hold Time:</b> Time period the luminaire remains at "High Mode" after no motion detected.</p> <p><b>Low Mode:</b> The selected low light level after the hold time.</p> <p><b>Stand-by Period:</b> Time period the luminaire remains at "Low Mode" before it completely switched off in the long absence of people. When set to "∞" mode, the low light level is maintained until motion is detected.</p> <p><b>Ramp Up:</b> Time period for light level to increase from LOW to HIGH.</p> <p><b>Fade Down:</b> Time period for light level to decrease from HIGH to LOW.</p> <p><b>Photocell On/Off:</b> When the light level exceeds this setting, the lights will turn off even when the space is occupied. Once the light level exceeds this setting, the sensor will wait and monitor for a short period of time in order to confirm the light level increase is not temporary before forcing the lights to go off. When light level goes below the settings, the light will turn on even without motion detection. This feature is disabled by default. If using this setting in combination with the Hold Off set-point, there must be at least 10fc of dead band between the two settings. The Photocell set-point is automatically set to maintain at least 10fc of dead band above the Hold time set-point to help avoid load cycling.</p>							