

# Installation Instructions

## Alphalite LED Curved-Basket Linear Wrap Luminaire

Installation guide valid for the following models:

### CBW-4L(40S2)



#### **WARNING**

##### RISK OF FIRE OR ELECTRIC SHOCK

The LED Curved-Basket Linear Wrap Luminaire must be installed by a qualified electrician in accordance with applicable federal, state, and local laws and codes. Installation requires knowledge of luminaire electrical systems and installer should be familiar with the operation of this product. If not qualified, do not attempt installation; contact a qualified electrician. Manufacturer assumes no responsibility for the improper installation of this luminaire. When installing the fixture, drilling may damage luminaire wiring and electrical parts. Check for wiring and components in enclosure before drilling.

#### **WARNING**

To prevent wiring damage or abrasion, do not expose wiring to edges of sheet metal or other sharp objects. When installing this kit, drilling may damage luminaire wiring and electrical parts. Check for wiring and components in enclosure before drilling.

#### **WARNING**

##### RISK OF PERSONAL INJURY

Wear gloves or proper handling protection to prevent cuts or abrasions when handling and maintaining this product. This equipment may have sharp edges. To reduce the risk of death, personal injury or property damage from fire, electric shock, falling parts, cuts/abrasions, and other hazards read all warning and instructions included with and on the fixture box and all fixture labels.

#### **WARNING**

Suitable for Damp locations. Do not touch LEDs with hands or tools. Mishandling of LED can lead to product failure.

#### **WARNING**

##### RISK OF PERSONAL INJURY, FIRE OR ELECTRIC SHOCK

Turn OFF power before installation.

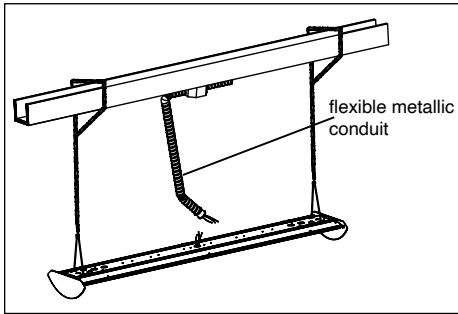
Contact manufacturer with any questions or concerns regarding installation of this luminaire.

# Alphalite

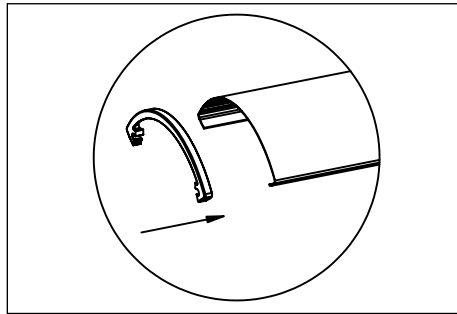
# Installation Instructions

## LED Curved-Basket Linear Wrap Luminaire

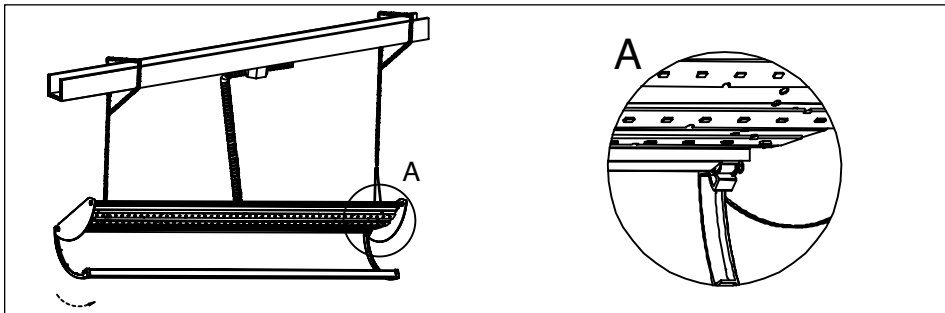
### Chain Suspended Installation Steps:



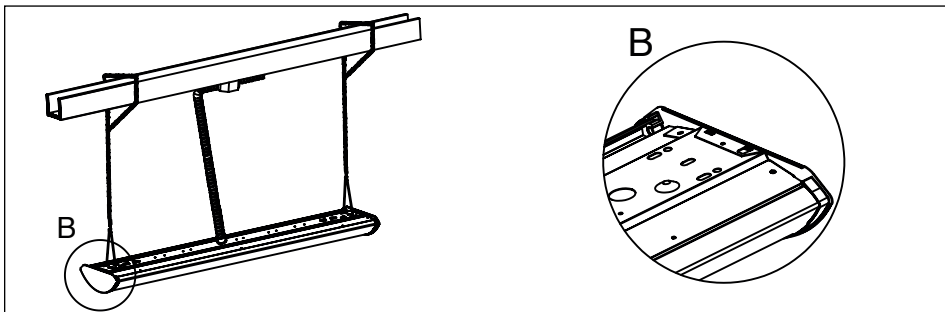
1. Mount V-hooks to the luminaire.



2. Mount plastic trims to the lens.



3. Install the lens by hanging from end plate pins of the luminaire and rotate into position. Flex the lens to engage end plate pins on opposite side of the luminaire.



4. Connect the wires to the AC power grounding leads and make sure the wires to be unclosed into the flexible metallic conduit.

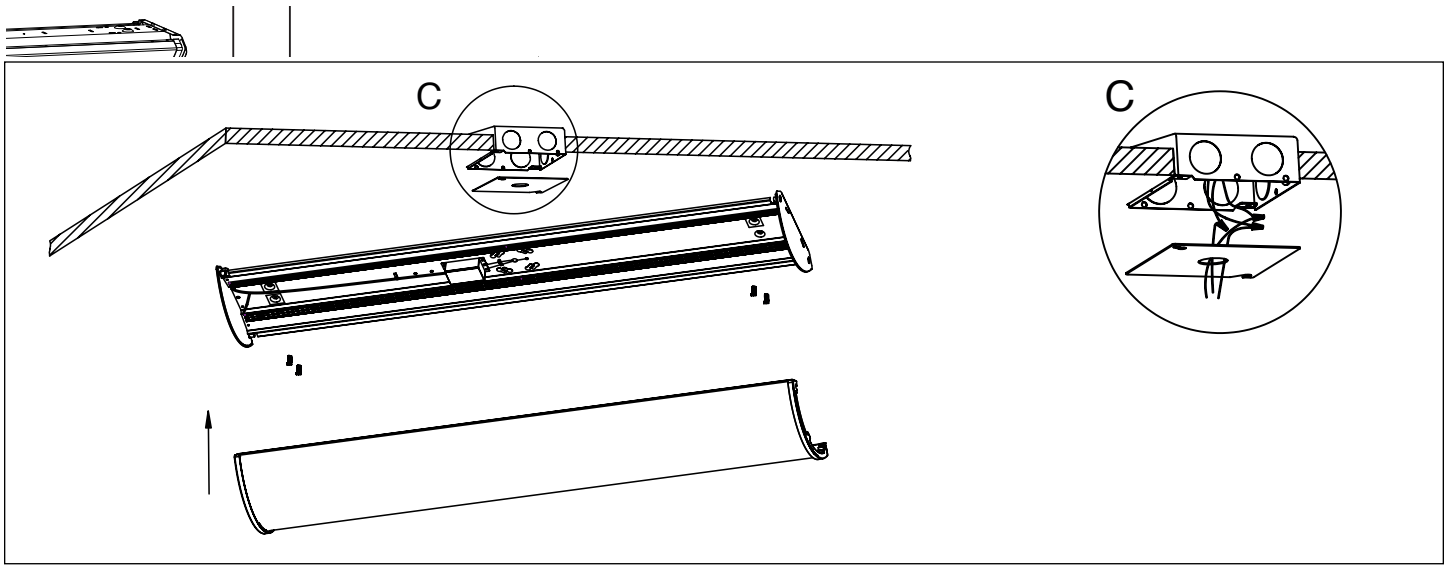
### **CAUTION**

1. Avoid direct eye exposure to the light source while it is on.
2. Account for small parts and destroy packing material, as these may be hazardous to children
3. Disconnect power and allow fixture to cool before changing bulb or handing fixture.

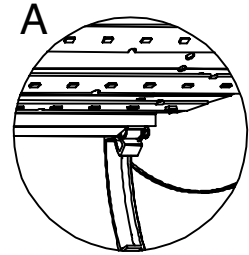
# Alphalite

# Installation Instructions

## LED Curved-Basket Linear Wrap Luminaire



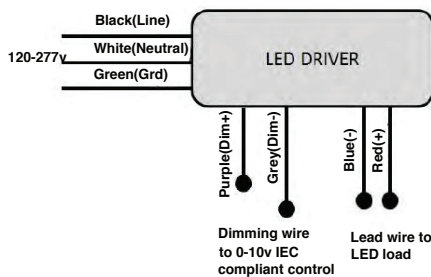
1. Remove the lens and Led module plate.
2. For mounting, using the provided mounting holes on each end of the fixture housing.
3. Make electrical connections according to code.
4. Install the lens by hanging from end plate pins of the luminaire and rotate into position. Flex the lens to engage end plate pins on opposite side of the luminaire. See A for details.



### CAUTION

1. Avoid direct eye exposure to the light source while it is on.
2. Account for small parts and destroy packing material, as these may be hazardous to children
3. Disconnect power and allow fixture to cool before changing bulb or handing fixture.

### Wiring Diagram:



### 0-10V Dimmable Wiring

Follow the wiring directions as in fig. 1.

1. Connect the black fixture lead to the (+) LINE supply lead.
2. Connect the white fixture lead to the (-) COMMON supply lead.
3. Connect the GROUND wire from fixture to supply ground. Do NOT connect the GROUND of the dimming fixture to the output.
4. Connect the purple fixture lead to the (V+) DIM lead.
5. Connect the gray fixture lead to the (V-) DIM lead.

### ON-OFF Wiring

Follow the wiring directions as in fig. 1.

1. Connect the black fixture lead to the LINE supply lead.
2. Connect the white fixture lead to the COMMON/NEUTRAL supply lead.
3. Connect the GROUND wire from fixture to supply ground.

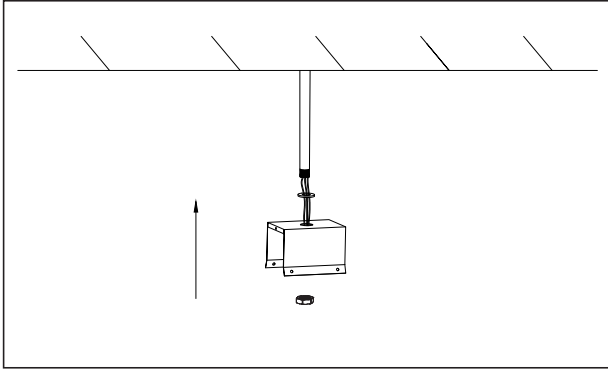
# Alphalite

# Installation Instructions

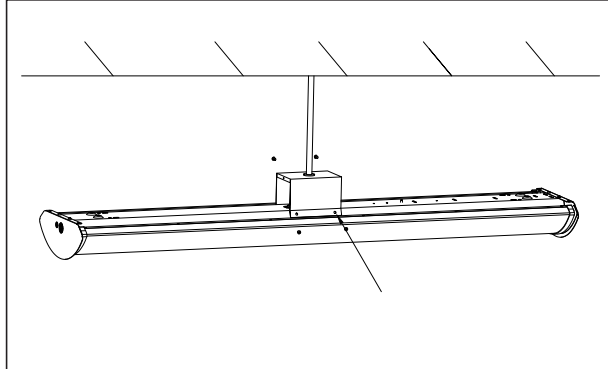
## LED Curved-Basket Linear Wrap Luminaire

### Pendant Mount Installation Steps:

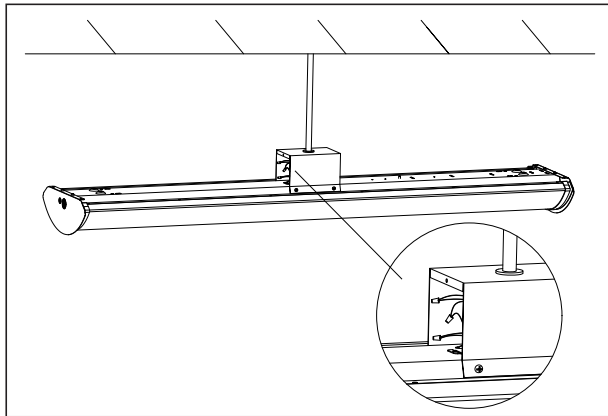
1. Install the boom box on the boom.



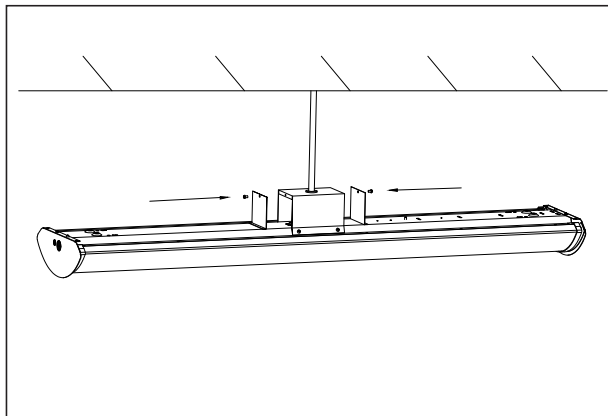
2. Screw the lamp to the boom box.



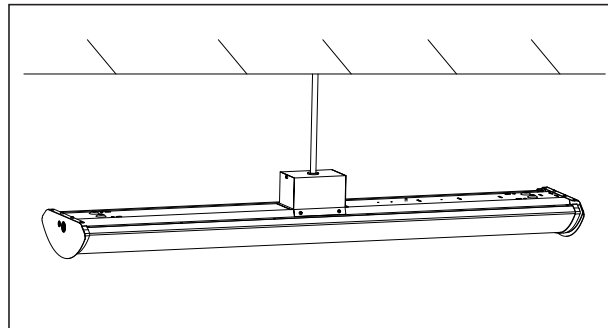
3. Wire to main power.



4. Install boom box cover.



5. The installation is complete.



# Alphalite