

BWWP2

Traditional Wall Pack – Lumen & Kelvin Field Selectable – Emergency Driver

Project:	
Type:	
Catalog #:	



STANDARD



FEATURES

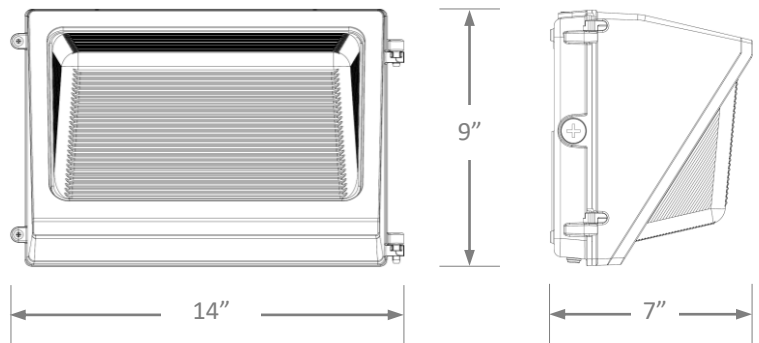
- Field selectable 4000k (neutral white) and 5000k (cool white) color temperatures.*
- Long-life LEDs provide at least 70% of initial lumen output (L_{70}) for $\geq 139,000$ hours of operation, and at least 90% of initial lumen output (L_{90}) for $\geq 42,000$ hours of operation.*
- LED chromaticity based on ≤ 5 -step ANSI quadrangles.
- LED color maintenance ≤ 0.003 chromaticity shift ($\Delta u'v'$) over the initial 6,000 of operation.
- Provides a range of 6,400 to 16,600 nominal lumens and 133 to 152 nominal lumens per watt (lm/W).
- 0-10vdc dimming drivers are standard.
- Universal 120-277 AC voltage (50-60Hz) is standard.
- Power factor > 0.90 .
- Total harmonic distortion $< 20\%$.
- Color rendering index (R_a) > 80 .
- Integral emergency driver is standard.
- Cast aluminum housing with dark bronze, powder coat finish.
- Glass lens.
- Three $\frac{1}{2}$ " NPT threaded openings.
- Easy installation in new construction or retrofit applications.

* Contact factory for other color temperatures and lumen packages.
 ** L_{70} & L_{90} hours are IES TM-21-11 calculated hours.

WARRANTY & LISTINGS

- cULus listed for wet locations in ambient temperatures from $1^{\circ}C$ to $38^{\circ}C$ ($33^{\circ}F$ to $100^{\circ}F$).*
- IP65 rated for ingress protection.
- DLC premium approved.
- Complies with FCC Part 15, class A.
- Surge protection = 4kV.
- 5-year warranty of all electronics and housing.

DIMENSIONS



Weight: 75W = 8 lbs / 120W = 8 lbs

ORDERING INFORMATION

Example: BWWP2-75W-U-CS-E

Series	Nominal Watts	Voltage	Select	Emergency
BWWP2	75W 120W	U Universal 120-277V	CS Lumen/kelvin field selectable	E