

BRK-LED4-GR-ECO 4" Gimbal

Project:	
Type:	
Catalog #:	

STANDARD



APPLICATIONS

4" Gimbal solution with integrated LED power supply and thermal management system combined in a single compact unit designed to fit most standard 4" recessed cans.

ILLUMINATION

- Long life LEDs with up to 50,000 hours at 70% lumen maintenance.
- Choice of 2700K (± 145), 4000K (± 275) color temperature with 80 CRI.
- Produces 675-750 lumens output from luminaire.
- Uses 1.18W high power, high quality LEDs.

ELECTRICAL

- Dimmable to 10% with most dimmers.

Lutron Maestro C-L	MACL-153MR
Lutron Skylark C-L	SCL-153P
Leviton Sureslide	Cat.No.6674
Lutron	PD-6WCL
Legrand Harmony	HCL453PTCCCV6

- Save 75% compared to incandescent sources.
- High efficiency driver with a power factor $\geq .90$ with input power of 120V, 50-60Hz.
- Built-in LED Driver.
- Power consumption of 10 watts.
- Operation temperature of -20°C - 40°C (-4°F - 104°F).

MOUNTING

- Easy installation with integral clips.
- No tools required for installation.



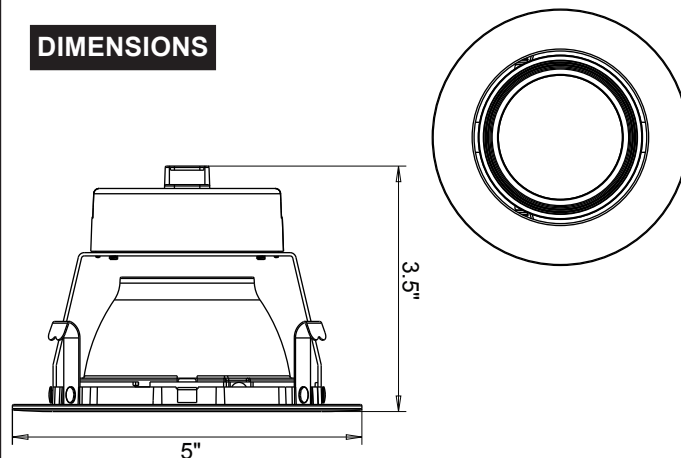
HOUSING

- Compatible with most 4" housings.
- Compatible with insulated, non-insulated, and air-tight ceilings.
- Durable thermoplastic construction.
- E26 medium screw-base Edison connector provides easy retrofit of incandescent housings.

WARRANTY/LISTING

- Tested in accordance with IESNA LM79 & LM80.
- ETL Listed for damp location.
- Energy Star qualified.
- Passes FCC Class B.
- Meets State of California Title 24 requirements.
- Five year warranty on all electronics and housing.

DIMENSIONS



ORDERING INFORMATION

MODEL	OPTIONS		KELVIN RATING		LUMENS
BRK-LED4GR-27-ECO	GR	GIMBAL	27K	2700 K	675
BRK-LED4GR-4-ECO	GR	GIMBAL	4K	4000 K	750