



## BOX Flood Light

### FEATURES

- Built in 7-Pin NEMA photocell receptacle
- Includes shorting cap
- PowerSet feature allows for multiple "set and forget" lumen stops in each fixture

### CERTIFICATIONS

- UL Listed for wet locations
- IP65 Rated
- DesignLights Consortium® Premium Qualified - meets the requirements for the highest DLC qualification for efficacy and lumen maintenance

### PERFORMANCE

- Rated lifetime:  
L70: >50,000 hours
- PowerSet:  
150/100/80/50W; 21,000/15,300/12,500/8,200 lm (120V);  
21,000/15,450/12,600/8,250 lm (277V)  
300/240/200/150W; 41,300/35,500/29,500/22,900 lm (120V);  
41,600/35,400/29,600/23,000 lm (277V)
- 5000K CCT
- CRI: >70

### ELECTRICAL

- Input voltage: 120-277V, 277-480V
- Surge protection: 10kV
- 0-10V dimming
- Power Factor: >0.9
- THD: <20%

### THERMAL

- -40°F to 122°F (-40°C to 50°C) operating temperature

### CONSTRUCTION

- Die-cast aluminum heat sink for low weight and thermal performance
- UV resistant polycarbonate optical lens
- Durable powder coating for corrosion resistance
- Stainless steel hardware

### WARRANTY

- 5 year limited warranty. Additional warranty options available. Contact EiKO for details

project name	type
catalog number	voltage
approved by	date



150W



300W

### APPLICATIONS

- Parking Areas
- Automotive Dealerships
- Campuses
- Airports
- Area security lighting
- Building facades
- Signs
- Entryways

## CONFIGURATOR

MODEL	LUMEN PACKAGE	CCT/CRI	VOLTAGE	DIMMING	FINISH
BOX1 : Flood Light	PS150 - 150/100/80/50W; 21,000/15,300/12,500/8,200 lm	750 - 70 CRI; 5000K	U - 120-277V	D - 0-10V Dimming	BZ - Bronze
	PS150 - 150/100/80/50W; 21,000/15,450/12,600/8,250 lm		V - 277-480V		
BOX2 : Flood Light	PS300 - 300/240/200/150W; 41,300/35,500/29,500/22,900 lm		U - 120-277V		
	PS300 - 300/240/200/150W; 41,600/35,400/29,600/23,000 lm		V - 277-480V		



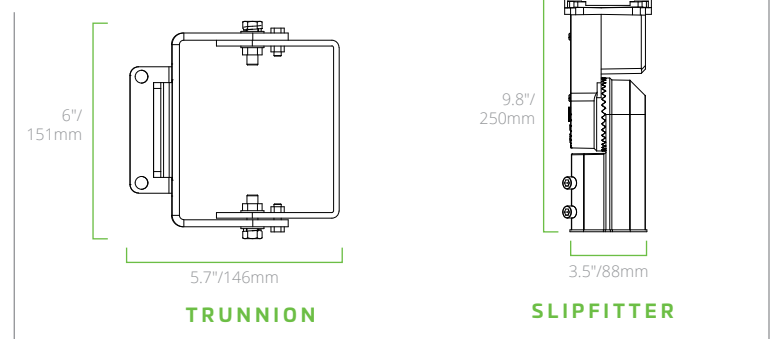
## PERFORMANCE SUMMARY

ORDER CODE	ITEM #	WATTS	NOMINAL LUMENS		CCT	DIMMING	VOLTS	TRADITIONAL WATTAGE EQUIVALENT	DLC PREMIUM
12123	BOX1/PS150/750/UD/BZ	150/100/80/50W	21,000/15,300/12,500/8,200	135	5000K	0-10V	120-277V	Up to 400W HID	✓
12125	BOX1/PS150/750/VD/BZ	150/100/80/50W	21,000/15,450/12,600/8,250	135	5000K	0-10V	277-480V	Up to 400W HID	✓
12124	BOX2/PS300/750/UD/BZ	300/240/200/150W	41,300/35,500/29,500/22,900	135	5000K	0-10V	120-277V	Up to 1000W HID	✓
12126	BOX2/PS300/750/VD/BZ	300/240/200/150W	41,600/35,400/29,600/23,000	135	5000K	0-10V	277-480V	Up to 1000W HID	✓

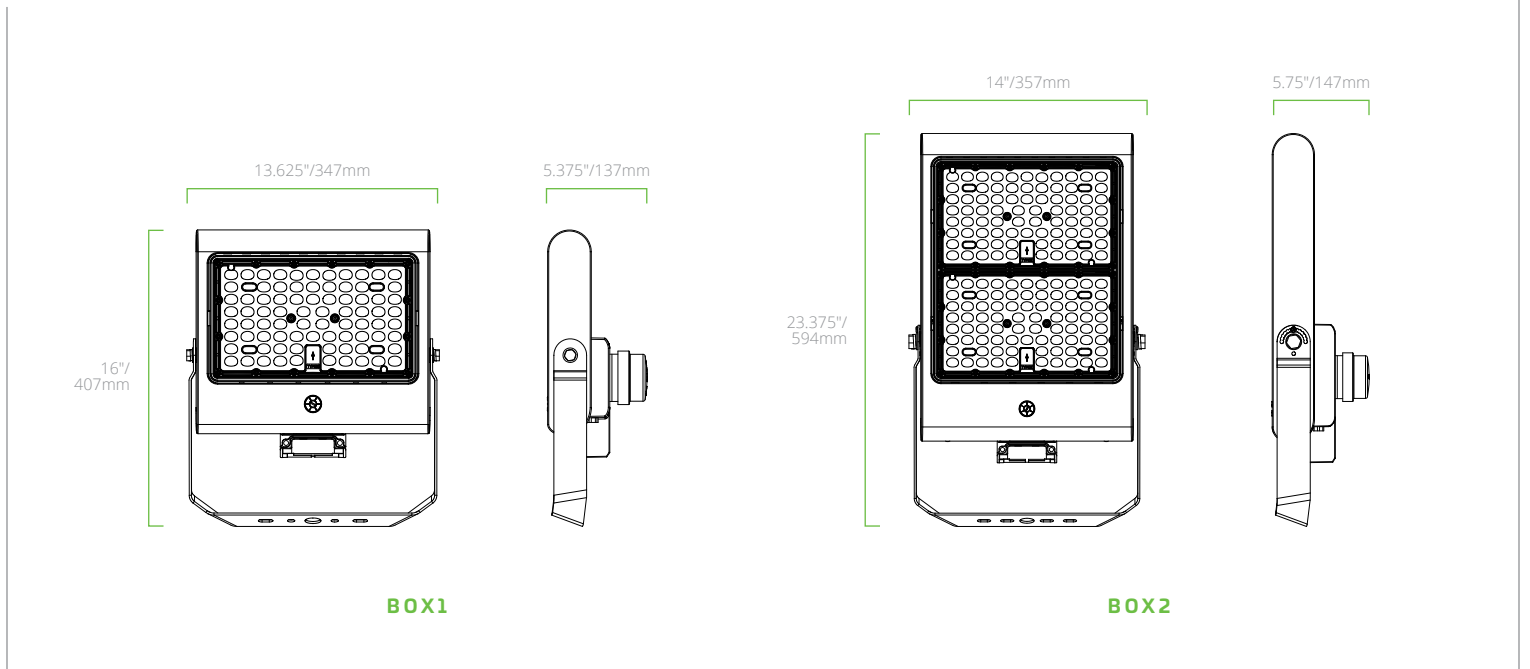
## ACCESSORIES

ORDER CODE	ITEM #	DESCRIPTION
12127	BOX/SFACC	Box Slipfitter Accessory
12535	BOX/TRACC	Box Trunnion Accessory
10040	PC1-4500	Shorting Plug 120-480V 15A
10041	ELC4536	Photocell Twist-lock 120-277V 2A
10042	EK4536	Premium Photocell Twist-lock 120-277V 6A
09966	EK4036S	Photocell, Flush Mount, 120-277V
09967	EK4136S	Photocell, Stem Mount, Side Lens, 120-277V
09968	EK4236S	Photocell, Stem Swivel Mount, Side Lens, 120-277V
09969	EK4736S	Photocell, Stem Swivel Mount, Top Lens, 120-277V

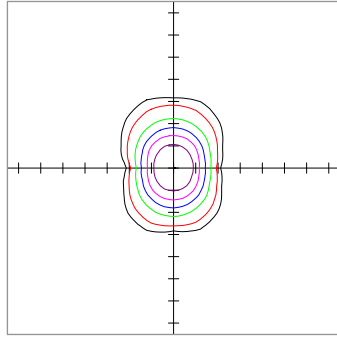
## ACCESSORY DIMENSIONS



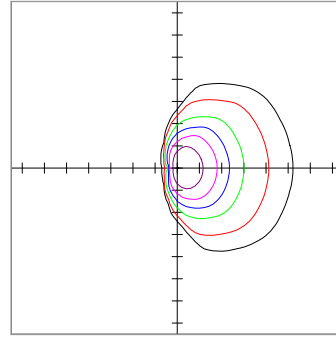
## PRODUCT DIMENSIONS



## DISTRIBUTION



LUMINAIRE TILTED AT 0°



LUMINAIRE TILTED AT 45°

Distances are in units of mounting height (20').

## MOUNTING CONFIGURATIONS

### 150W



S Single  
EPA: 0.58



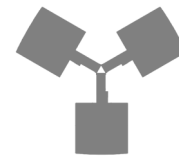
D90 Double 90°  
EPA: 1



D180 Double 180°  
EPA: 1.22



T90 Triple 90°  
EPA: 1.44



T90 Triple 120°  
EPA: 1.29



Q90 Quad 90°  
EPA: 1.86

### 300W



S Single  
EPA: 0.8



D90 Double 90°  
EPA: 1.25



D180 Double 180°  
EPA: 1.44



T90 Triple 90°  
EPA: 1.89



T90 Triple 120°  
EPA: 1.7



Q90 Quad 90°  
EPA: 2.34