

# Installation Instructions

## LED Bollard

Installation guide valid for the following models:

**BLA-R-22A/8A**

**BLA-S-22A/8A**



### **WARNING**

#### **RISK OF FIRE OR ELECTRIC SHOCK**

The BLA high performance LED Bollard with adjustable wattage and CCT must be installed by a qualified electrician in accordance with applicable federal, state, and local laws and codes. Installation requires knowledge of luminaire electrical systems and installer should be familiar with the operation of this product. If not qualified, do not attempt installation; contact a qualified electrician. Manufacturer assumes no responsibility for the improper installation of this luminaire.

To prevent wiring damage or abrasion, do not expose wiring to edges of sheet metal or other sharp objects. When installing this kit, drilling may damage luminaire wiring and electrical parts. Check for wiring and components in enclosure before drilling. Electrical connection should be in a dry area unless adequately sealed. If the external flexible cable or cord of this luminaire is damaged, it shall be exclusively replaced by the manufacturer or his service agent or a similar qualified person in order to avoid a hazard.

### **CAUTION**

#### **RISK OF PERSONAL INJURY**

- Wear gloves or proper handling protection to prevent cuts or abrasions when handling and maintaining this product. This equipment may have sharp edges. To reduce the risk of death, personal injury or property damage from fire, electric shock, falling parts, cuts/abrasions, and other hazards read all warning and instructions included with and on the fixture box and all fixture labels.
- This product series emits high light output. DO NOT look directly into the light emitting area. Direct exposure to the light over an extended time period may harm eyes.

### **WARNING**

- Before starting use of the light, please check if the light was damaged during transportation. If any damage shown, please do not install or use it and contact manufacturer.
- Products and components should not be mechanically stressed. Damaged by corrosion will not be honored as a materials defect claim. It is the user's responsibility to provide suitable protection against corrosive agents such as moisture and condensation and other harmful elements.
- Specifications and dimensions subject to change without notice.

### **WARNING**

#### **RISK OF PERSONAL INJURY, FIRE OR ELECTRIC SHOCK**

Turn OFF power before installation.

Contact manufacturer with any questions or concerns regarding installation of this luminaire.

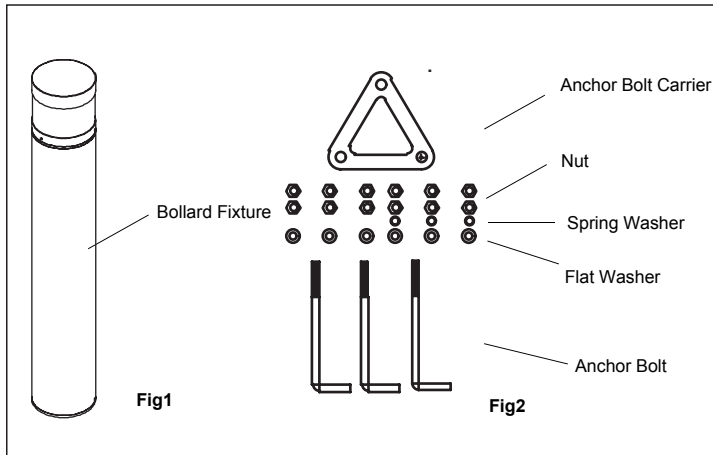
# Alphalite

# Installation Instructions

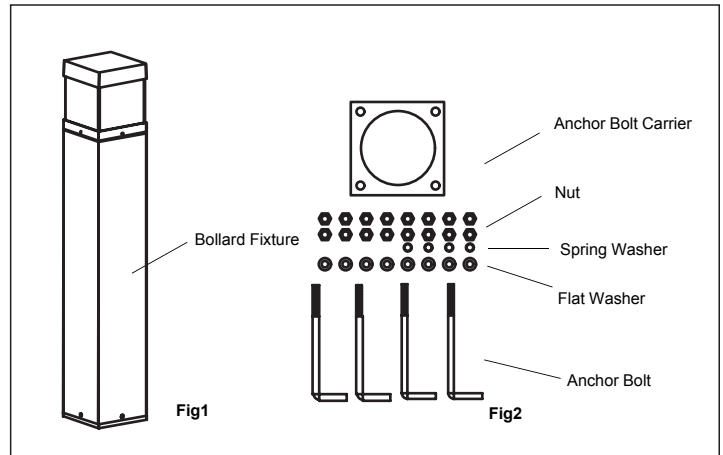
## LED Bollard

1. Remove the luminaire (Fig 1) and accessories (Fig 2) from the carton and inspect luminaire for damage. Do not install a damaged luminaire.

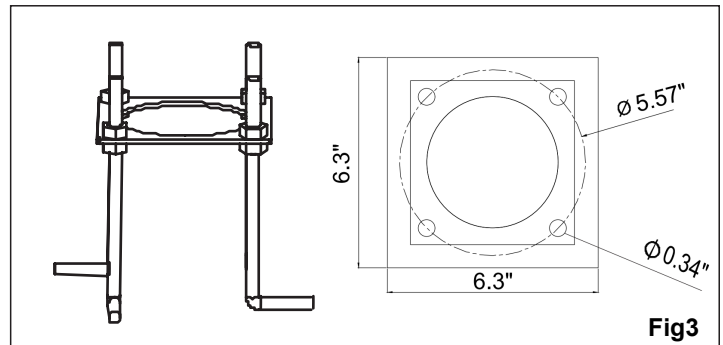
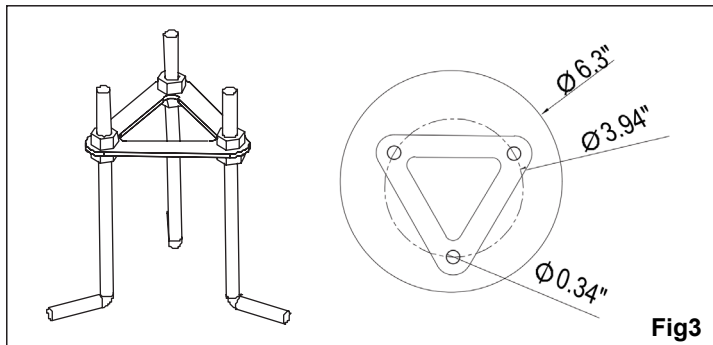
### BLA-R-22A/8A



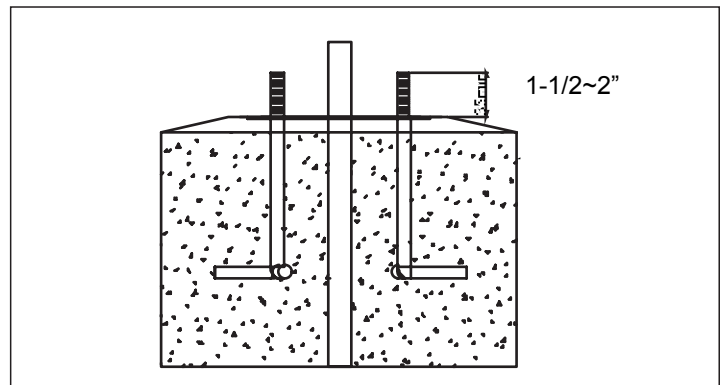
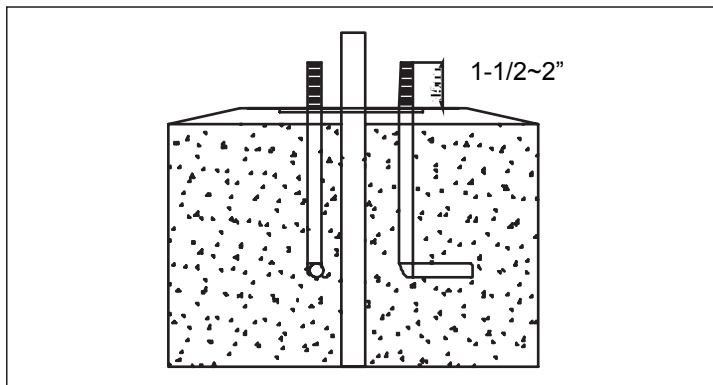
### BLA-S-22A/8A



2. Prepare site. Get the anchor bolt carrier assembled as Fig 3 and use it to determine placement of anchor bolts in concrete. Ensure that concrete base is suitable for the bollard load.



3. Install three anchor bolts into concrete as per attached drawing, having at least 1-1/2~2" protruding from concrete with threads free and clear of debris and dirt.

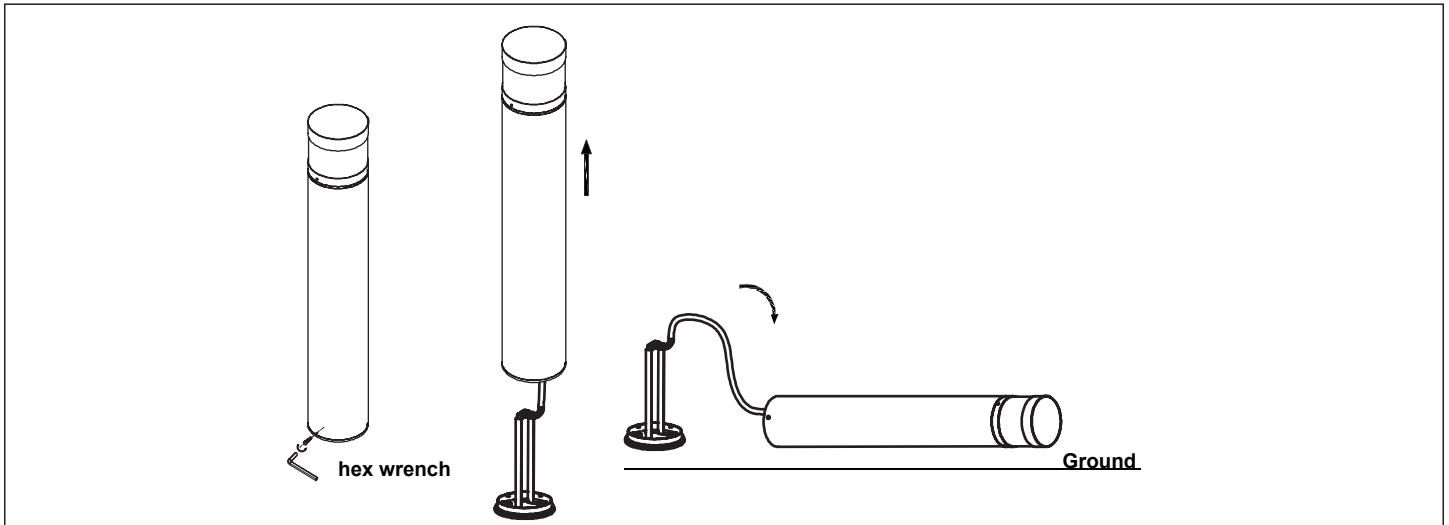


# Alphalite

# Installation Instructions

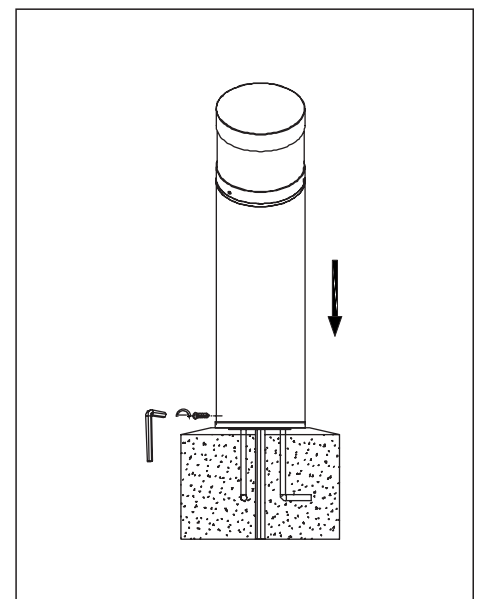
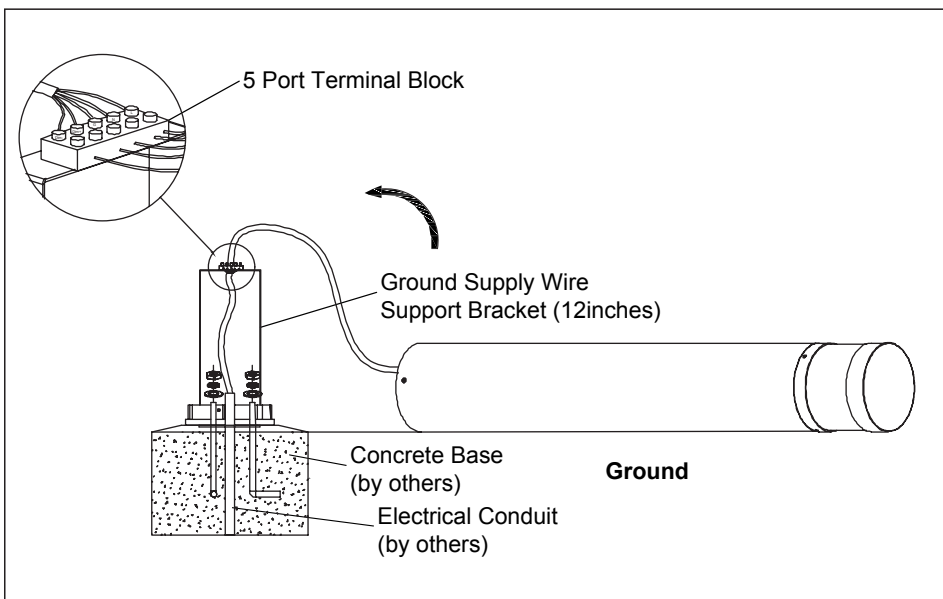
## LED Bollard

4. Disassemble the fixture by loosening the set screws (x3) with hex wrench. Lay the fixture down by the side of the installed anchor bolts. Keep the wires connected.



5. Place bollard base plate over anchor bolts and tighten nuts securing the base plate to the foundation. Double check the wires are in good connection after the base installation.

6. Put back the fixture body, and tighten the set screws (x3) with hex wrench.



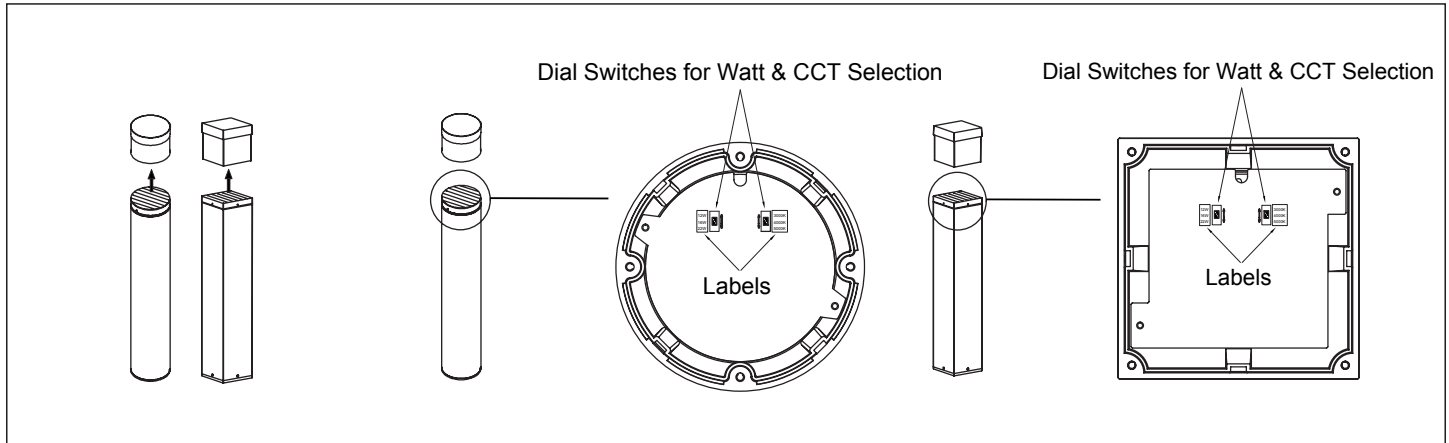
# Alphalite

# Installation Instructions

## LED Bollard

### Schematic of Wattage and CCT adjustment (3 set position)

1. Loosen 4 screws and open the top part of the fixture.
2. Set slip switch to the position of your wattage and CCT selection according to the label on fixture.



### **WARNING**

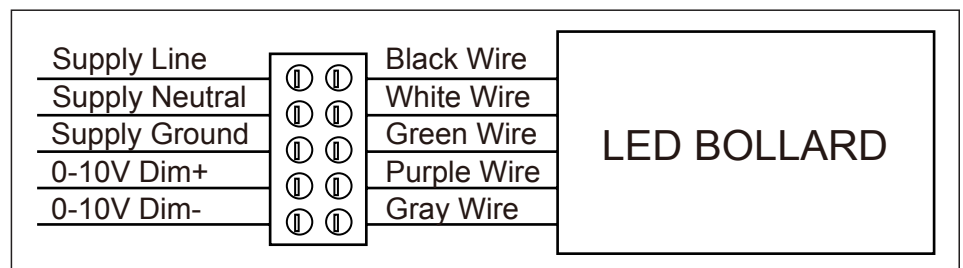
RISK OF PERSONAL INJURY

Proper grounding of metal parts is required for safety.

### Wiring Diagram:

#### **0-10V Dimmable Wiring**

1. Connect the black fixture lead to the (+) LINE supply lead.
2. Connect the white fixture lead to the (-) COMMON supply lead.
3. Connect the GROUND wire from fixture to supply ground. Do NOT connect the GROUND of the dimming fixture to the output.
4. Connect the purple fixture lead to the (V+) DIM lead.
5. Connect the gray fixture lead to the (V-) DIM lead.



#### **ON-OFF Wiring**

1. Connect the black fixture lead to the LINE supply lead.
2. Connect the white fixture lead to the COMMON/NEUTRAL supply lead.
3. Connect the GROUND wire from fixture to supply ground.

# Alphalite