

AA Airia Area Light

Outdoor

The stylish minimal silhouette of the Airia complements a diverse range of environments while providing ample area lighting. Environments featuring the Airia include public parks, streets, and college campuses.



Luminaire	Airia Area Light	Type
Project		
Product		
Notes		

Features
<ul style="list-style-type: none"> IP66 Silicon Gasket 5mm Ultra Thin Glass Lens Flexible Universal Mounting



Order Format

Sample: AA-35-40

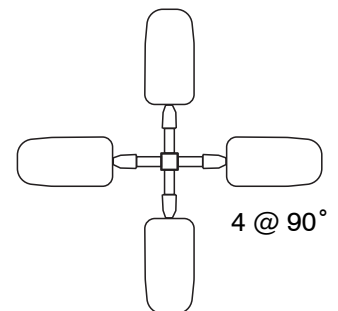
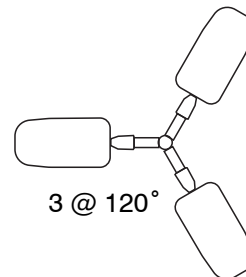
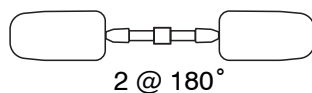
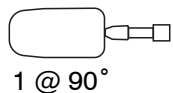
Series	Wattage	CCT	Voltage	Dimming	Lens	Finish Color
AA =Airia Area Light	- 35=35W 75=75W 100=100W 150=150W 200=200W 240=240W 300=300W	- 40=4000K	- Blank=100-277V	- Blank=1-10V Dimming	Blank=Clear	Blank=Bronze

Application

Multiple brackets are available for customizable mounting, improving installation time and reducing blind area of visual field. Slipfitter and arm mount are available for the Access.

Construction

The Airia is precision manufactured from Die-cast aluminum. Modular quantities of LEDs can be adjusted on site to fit specific light distributions.



Electrical

35W to 300W models are available for the Airia Architectural Light. The calculated L70 lifespan of this fixture is greater than 100,000 hours with a standard input of 100-277VAC and 347-480VAC.

Input Voltage (VAC)	100-277, 347-480
CRI	70+
CCT(K)	4000, 5000*
PF	>.95
THD	<20%
L70 (Hours)	>100,000
Color	Bronze
Housing	Die-Cast Aluminum
Optic Type	II, III, IV, V
Lens	Clear
Temperature Range	-50°C to 50°C
Warranty	10 Years

Optics

ATG's Airia, is available in type II, III, IV, and V distribution. Color accuracy is rated at 70+ CRI, in a color temperature of 4000K.

Certifications

- DLC Premium
- UL listed
- CE
- Title 24
- IP66 rated

*contact sales for lead time

Lumen Data

Catalog Number	Wattage (W)	4K							
		T2 Optic		T3 Optic		T4 Optic		T5 Optic	
		Efficacy (Lm/W)	Lumens (Lm)	Efficacy (Lm/W)	Lumens (Lm)	Efficacy (Lm/W)	Lumens (Lm)	Efficacy (Lm/W)	Lumens (Lm)
✓ AA-35-40	35W	121	4235	122	4270	126	4410	126	4410
✓ AA-75-40	75W	125	9375	126	9413	127	9516	127	9516
✓ AA-100-40	100W	130	13040	131	13093	132	13236	132	13236
✓ AA-150-40	150W	131	19712	132	19792	133	20007	133	20007
✓ AA-200-40	200W	133	26520	133	26628	135	26918	135	26918
✓ AA-240-40	240W	134	32105	134	32235	136	32586	136	32586
✓ AA-300-40	300W	136	40758	136	40924	138	41369	138	41369

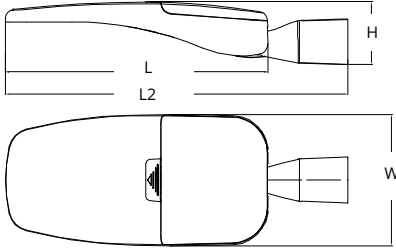
Catalog Number	Wattage (W)	5K							
		T2 Optic		T3 Optic		T4 Optic		T5 Optic	
		Efficacy (Lm/W)	Lumens (Lm)	Efficacy (Lm/W)	Lumens (Lm)	Efficacy (Lm/W)	Lumens (Lm)	Efficacy (Lm/W)	Lumens (Lm)
✓ AA-35-50	35W	122	4270	123	4350	124	4340	124	4340
✓ AA-75-50	75W	126	9450	127	9488	128	9592	128	9592
✓ AA-100-50	100W	131	13100	132	13153	133	13297	133	13297
✓ AA-150-50	150W	132	19800	133	19880	134	20097	134	20097
✓ AA-200-50	200W	134	26800	135	26909	136	27202	136	27202
✓ AA-240-50	240W	135	32400	136	32532	137	32886	137	32886
✓ AA-300-50	300W	137	41100	138	41267	139	41717	139	41717

✓ Stock Item
ATG Core Product

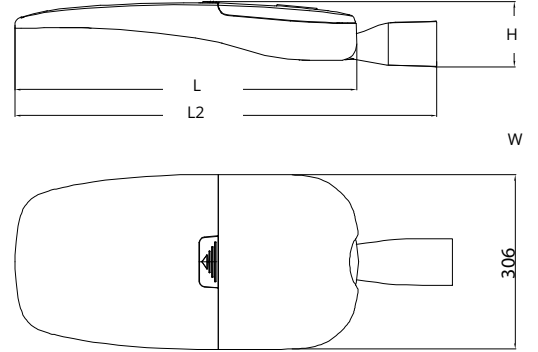
Catalog Number	SPD	Distribution	BUG	EPA
AA-35-XX-T2-G2	10KV	T2	B1U0G1	1.8
AA-35-XX-T3-G2	10KV	T3	B1U0G1	1.8
AA-35-XX-T4-G2	10KV	T4	B1U0G1	1.8
AA-35-XX-T5-G2	10KV	T5	B2U0G1	1.8
AA-75-XX-T2-G2	10KV	T2	B2U0G2	1.8
AA-75-XX-T3-G2	10KV	T3	B2U0G2	1.8
AA-75-XX-T4-G2	10KV	T4	B2U0G1	1.8
AA-75-XX-T5-G2	10KV	T5	B3U0G2	1.8
AA-100-XX-T2-G2	10KV	T2	B2U0G2	2.9
AA-100-XX-T3-G2	10KV	T3	B3U0G3	2.9
AA-100-XX-T4-G2	10KV	T4	B2U0G2	2.9
AA-100-XX-T5-G2	10KV	T5	B3U0G2	2.9
AA-150-XX-T2-G2	10KV	T2	B3U0G3	2.9
AA-150-XX-T3-G2	10KV	T3	B3U0G3	2.9
AA-150-XX-T4-G2	10KV	T4	B3U0G2	2.9
AA-150-XX-T5-G2	10KV	T5	B4U0G2	2.9
AA-200-XX-T2-G2	10KV	T2	B3U0G3	2.9
AA-200-XX-T3-G2	10KV	T3	B4U0G3	2.9
AA-200-XX-T4-G2	10KV	T4	B3U0G3	2.9
AA-200-XX-T5-G2	10KV	T5	B5U0G3	2.9
AA-240-XX-T2-G2	10KV	T2	B4U0G3	4.9
AA-240-XX-T3-G2	10KV	T3	B4U0G4	4.9
AA-240-XX-T4-G2	10KV	T4	B3U0G3	4.9
AA-240-XX-T5-G2	10KV	T5	B5U0G3	4.9
AA-300-XX-T2-G2	10KV	T2	B4U0G3	4.9
AA-300-XX-T3-G2	10KV	T3	B4U0G4	4.9
AA-300-XX-T4-G2	10KV	T4	B4U0G4	4.9
AA-300-XX-T5-G2	10KV	T5	B5U0G5	4.9

Dimensions

**35W
75W**



**100W
150W**



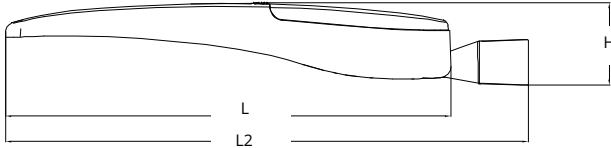
Part No.	Length (L)	Length 2 (L2)	Width(W)	Height(H)
AA-35-40	18	23.6	9	4.3
AA-75-40	18	23.6	9	4.3

Recorded in inches

Part No.	Length (L)	Length 2(L2)	Width(W)	Height(H)
AA-100-40	23.6	29.1	12	4.5
AA-150-40	23.6	29.1	12	4.5

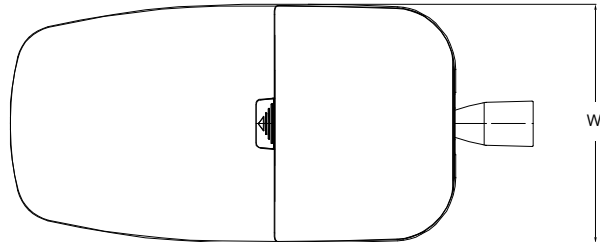
Recorded in inches

**200W
240W
300W**



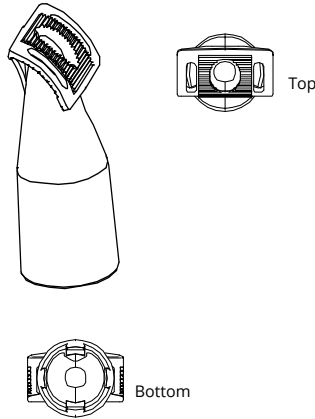
Part No.	Length (L)	Length 2 (L2)	Width(W)	Height(H)
AA-200-40	30.6	36	16.5	5.7
AA-240-40	30.6	36	16.5	5.7
AA-300-40	30.6	36	16.5	5.7

Recorded in inches

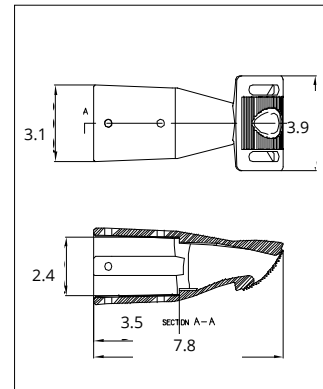


Mounting

**Airia Slipfitter
MSF-AA-00**



Dimensions

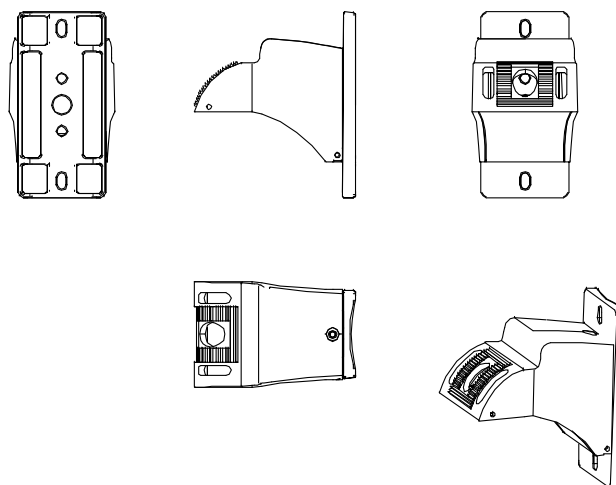


**Mounting Options
with Slipfitter**

Part Number	Name	Description
RTA-2.4TO3	Pole Tenon Adaptor/ Reducer	Round Tenon Adaptor 3"
RTA-2.4TO4		Round Tenon Adaptor 4"
STA-2.4TO4		Square Tenon Adaptor 4"
STA-2.4TO5		Square Tenon Adaptor 5"
WMB-90-2.4	Wall Mount Bracket	Wall Mount 90° Bracket
WMB-2.4		Wall Mount Bracket
SB-SG-2.4-3	Spoke Bracket	Single Spoke Bracket
SB-TW180-2.4		Twin Spoke Bracket 180° Arms
SB-TW90-2.4-3		Twin Spoke Bracket 90° Arms
SB-TR120-2.4-3		Triple spoke bracket
SB-QD-2.4-3		Quad Spoke Bracket
BH-TW-2.4-3	Bullhorn	Bullhorn twin bracket
BH-TR-2.4-3		Bullhorn triple bracket
BH-QD-2.4-3		Bullhorn quad bracket

See Area Light Accessory Specs sheet for more information

**Arm Mount
MAM-AA-00**



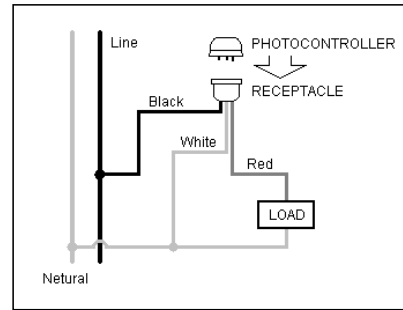
Electrical Accesories



Daylight Sensor

**JL-207
Microprocessor
Photocell
120/277 VAC**

See sensor specsheet for more information



JL-207C		JL-207F	
Power Supply	Rated: 120-277VAC Applicable: 105-305 VAC	Power Supply	Rated: 480VAC Applicable: 105-530 VAC
Rated Frequency	50/60Hz	Rated Frequency	50/60Hz
Rated Loading	1000W Tungsten, 1800VA Ballast	Rated Loading	1000W Tungsten, 1800VA Ballast
Power Consumption	0.5W (STD) / 0.9(HP)	Power Consumption	0.5W (STD) / 0.9(HP)
Typical On/Off Level	16Lx On / 24Lx Off	Typical On/Off Level	16Lx On / 24Lx Off
Ambient Temp	-40°C ~ +70°C	Ambient Temp	-40°C ~ +70°C
Related Humidity	99% . 100% (IP67)	Related Humidity	99% . 100% (IP67)
Overall Size	84 (Dia) x66mm	Overall Size	84 (Dia) x66mm
Weight Approx	110g (STD) / 125g(HP)	Weight Approx	110g (STD) / 125g(HP)



Motion Sensor

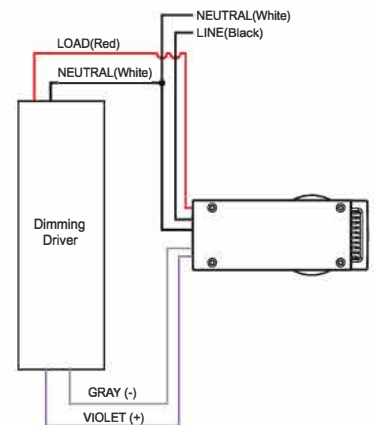
**BRI823
Digital High/Low/Off
Passive Infrared
ON/OFF Sensor
120/277 VAC**

See sensor specsheet for more information



Power Supply	120-277VAC 50/60Hz
Maximum Load -40°C-70 °C	Resistive/Tungsten - 600W@120V Ballast Electronic (LED) -800/1200VA@120/277V
Dim Control Output	0-10V, max. 25mA sinking current
Detection Radius/ Angle	30ft@40ft height/360 °
Mounting Height	Max 24ft. @LW1 Max 40ft. @LS2
Remote Range	50ft. (15m) indoor, no backlight
Humidity	Max. 95% RH
Temperature	-40 °C - +70°C

BRI823-B-D wiring with dimming ballast or LED driver.
Dimming Driver



10 Year Warranty

ATG Electronics®
Industry Leading 10 Year Limited Warranty
For North American LED Lighting Fixtures

ATG Electronics warrants to the original purchaser of ATG Electronics Domestic LED products listed above that were manufactured for which the ATG Electronics Spec Sheet located on our website contains the words "10 year limited warranty" that, subject to the below terms and conditions of this warranty, when such LED products are properly installed they will comply with ATG Electronics published product specifications for such products and will be free from material defects in material and workmanship for a period of ten (10) years from the date of sale by ATG Electronics, or, if lesser, 50,000 hours of operation (at an average of 13.6 hours per day operation). The LED arrays in the Product(s) will be considered defective in material or workmanship only if a total of 15% or more of the individual light emitting diodes in the Product(s) fail to illuminate.

The above express limited warranty is extended by ATG Electronics® only to the original or first end-user purchaser and only for the original installed location. This warranty only applies to products purchased after June 1, 2017. This warranty is non-transferrable, whether by assignment or operation of law. The original purchaser must provide warranty claims to ATG Electronics within the warranty period promptly upon discovery and in accordance with ATG Electronics Return and Repair Procedures as outlined within this document.

Should any defects be found by ATG Electronics upon its inspection of the properly returned product, ATG Electronics sole responsibility and liability under this warranty will be, at its option, to either repair or replace the defective part or parts or else make available a new replacement unit that will provide equal or better performance. All decisions regarding the existence or non-existence of defects or otherwise affecting the warranty shall be made by ATG ELECTRONICS and shall be final and binding on all parties. Where a defective LED product is replaced under this warranty, the balance of the original warranty period shall remain effective.

Conditions and Exclusions

This warranty is conditioned upon proper installation, use and maintenance. This warranty will automatically become null and void and shall not be applicable to any LED fixture which (i) has not been timely paid for, (ii) is not installed and operated in accordance with the current edition of The National Electric Code (NEC), the Standards for Safety of Underwriters' Laboratory, Inc. (UL) or with ATG Electronics instructions and guidelines, (iii) has been moved from its original installation, (iv) has been installed within an area that has exposure to sulfur or any area with high acidic compounds in use, (v) has been operated in an ambient temperature or humidity that is higher than 50 degrees Celsius, (vi) has been subjected to a lightning strike, power surge or overvoltage condition, (vii) has its LED Board subjected to static electricity due to failure to discharge same prior to connecting or disconnecting the lead from the LED board, (viii) was not installed and/or operated in accordance with ATG Electronics instructions and guidelines, (ix) has been mishandled, misused, abused, tampered with, modified or altered by anyone other than ATG ELECTRONICS, (x) has been subjected to abnormal stresses and operating conditions, or (xi) has been operated without overvoltage and lightning protection devices in place.

Limitations

Disclaimers & Limitations of Liability

The foregoing warranty is exclusive of all other statutory, written or oral warranties and no other warranties of any kind, statutory, by operation of law or course of performance, or otherwise, are given, herein expressed or otherwise received. EXCEPT AS EXPRESSLY PROVIDED ABOVE, ATG ELECTRONICS DISCLAIMS ALL REPRESENTATIONS, WARRANTIES AND CONDITIONS OF ANY KIND, EXPRESS OR IMPLIED, REGARDING THE LED PRODUCTS AND ITS SERVICES, INCLUDING, WITHOUT LIMITATION, THE IMPLIED WARRANTIES OF MERCHANTABILITY AND FITNESS FOR A PARTICULAR USE OR PURPOSE.

LIMITATION OF LIABILITY. Other than the obligation to repair or replace as provided above, ATG Electronics shall have no liability for any losses, expenses or damages as a result of the installation, use, inability to use, removal or replacement of any LED product. ATG Electronics will not under any circumstances whether as a result of breach of contract, breach of warranty, tort, strict liability or otherwise be liable for consequential, incidental, special or exemplary damages including but not limited to, loss of profits or revenues, loss of any other goods or associated equipment or damage to any associated equipment, cost of capital, cost of substitute products, facilities or services, down time cost or claims of claimant's customers. ATG Electronics liability on any claim of any kind for any loss or damages arising out of, resulting from or concerning any LED product, any aspect of this warranty or for any products or services furnished hereunder shall not exceed the price of the fixture which gives rise to the claim.

Return and Repair Procedures

All warranty requests and or questions are to be directed to ATG Electronics Customer Service Department (CSD) at 888-618-7298. If deemed necessary, the CSD will issue a Returned Merchandise Authorization (RMA) number which must be included on both the packing slip of the component or fixture being returned and on the outside of the box. You must include your name and contact information, including your email address, on the packing slip so that we can contact you easily. Each component or fixture must be packaged very carefully and properly so as to prevent damages in shipment and must be shipped freight prepaid. Please obtain a proof of delivery to ensure that the material is received.

Once the component or fixture has been received and tested, an evaluation report will be provided to the end user via email. This report will clarify the following:

- A) The component / fixture is covered under the warranty policy and will either be repaired or replaced.
- B) The component / fixture is not covered under the warranty policy and the reason for this determination.

If ATG ELECTRONICS determines that the component or fixture is covered under the warranty, then the appropriate repairs will be started or a replacement fixture will be manufactured and shipped. Please note that in the event the returned component or fixture is found not to be covered under this warranty, you may be subject to a labor charge for the evaluation process and will be responsible for all return shipping charges and fees. For components and fixtures determined to be covered under this warranty prior to the first anniversary of the Sale Date, the repaired or replacement component or fixture will be returned to you at no charge. You will be responsible for all other shipping charges.

No Labor Reimbursement

All components and fixtures determined to be covered by this warranty as provided above, will be repaired or replaced at no charge to the customer, however, except as expressly provided above with respect to recessed and linear fixtures during the first year, the customer must hire and pay for an electrician to remove and reinstall such components and fixtures. No labor costs will be covered for the removal or reinstallation of any components or fixtures. The warranty does not cover modifications, repairs or replacements, or the related labor or materials costs, that may be necessary to facilities or third party products in connection with the removal, repair, or replacement of any LED product under this warranty.